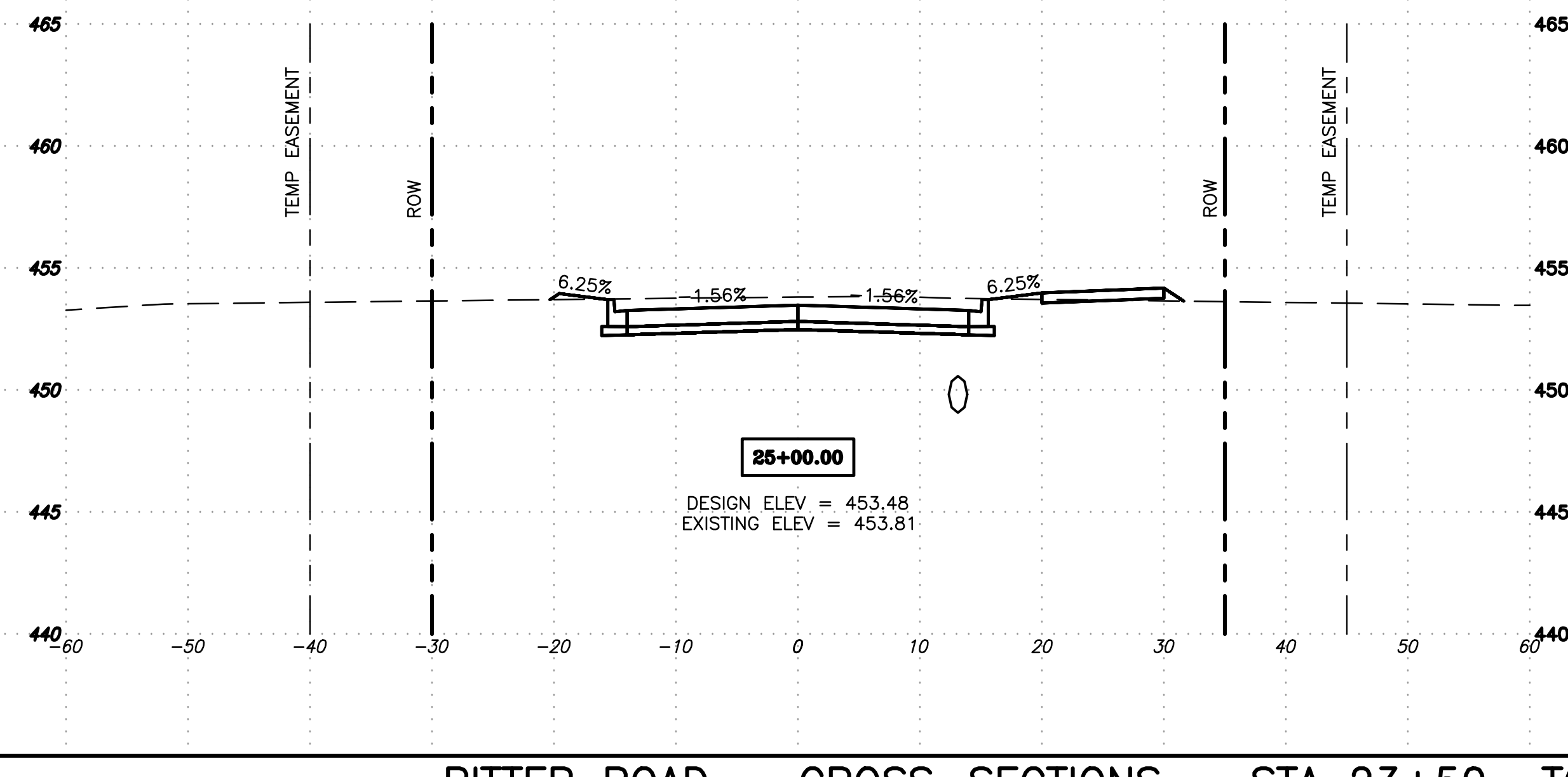
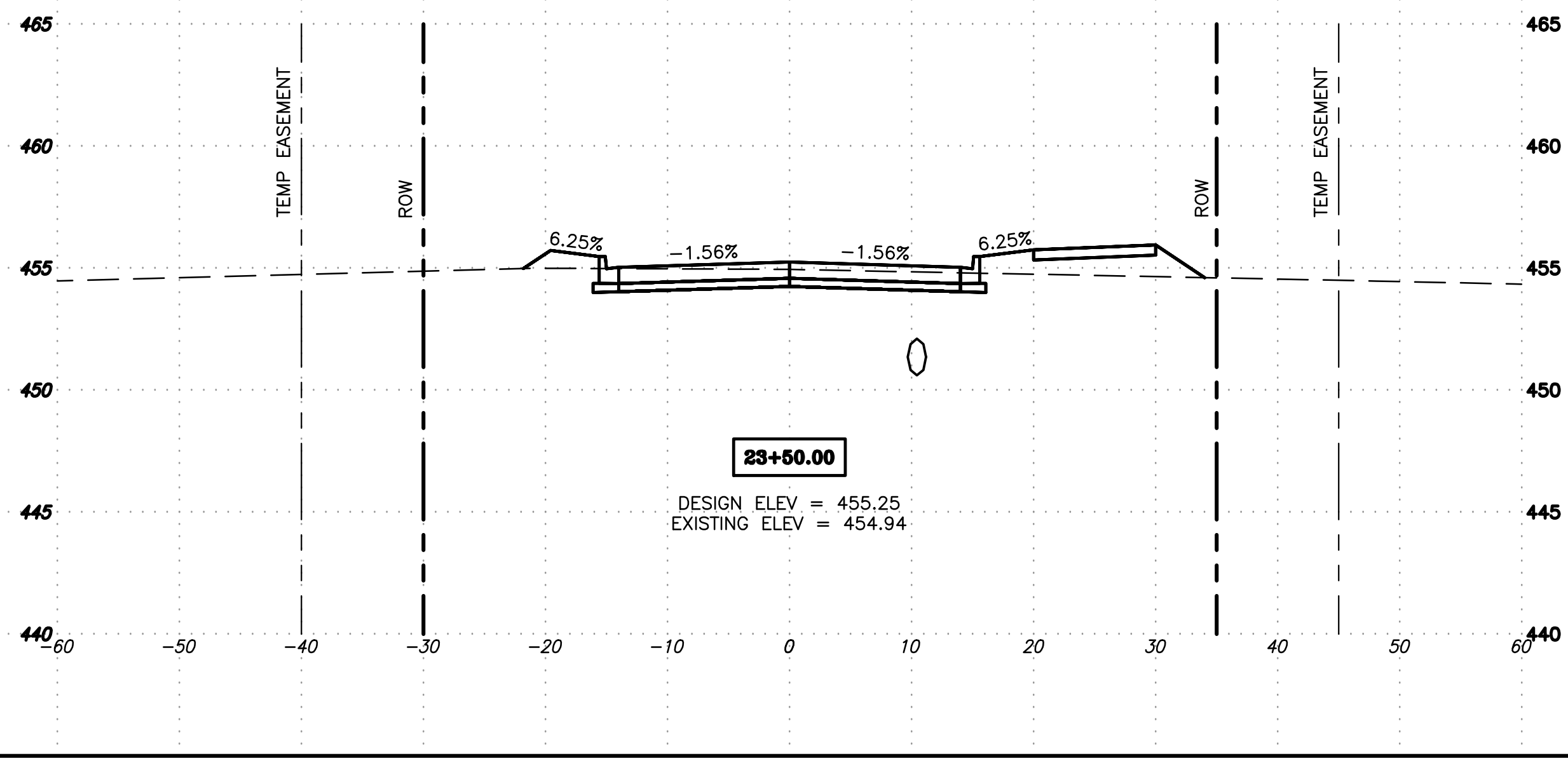
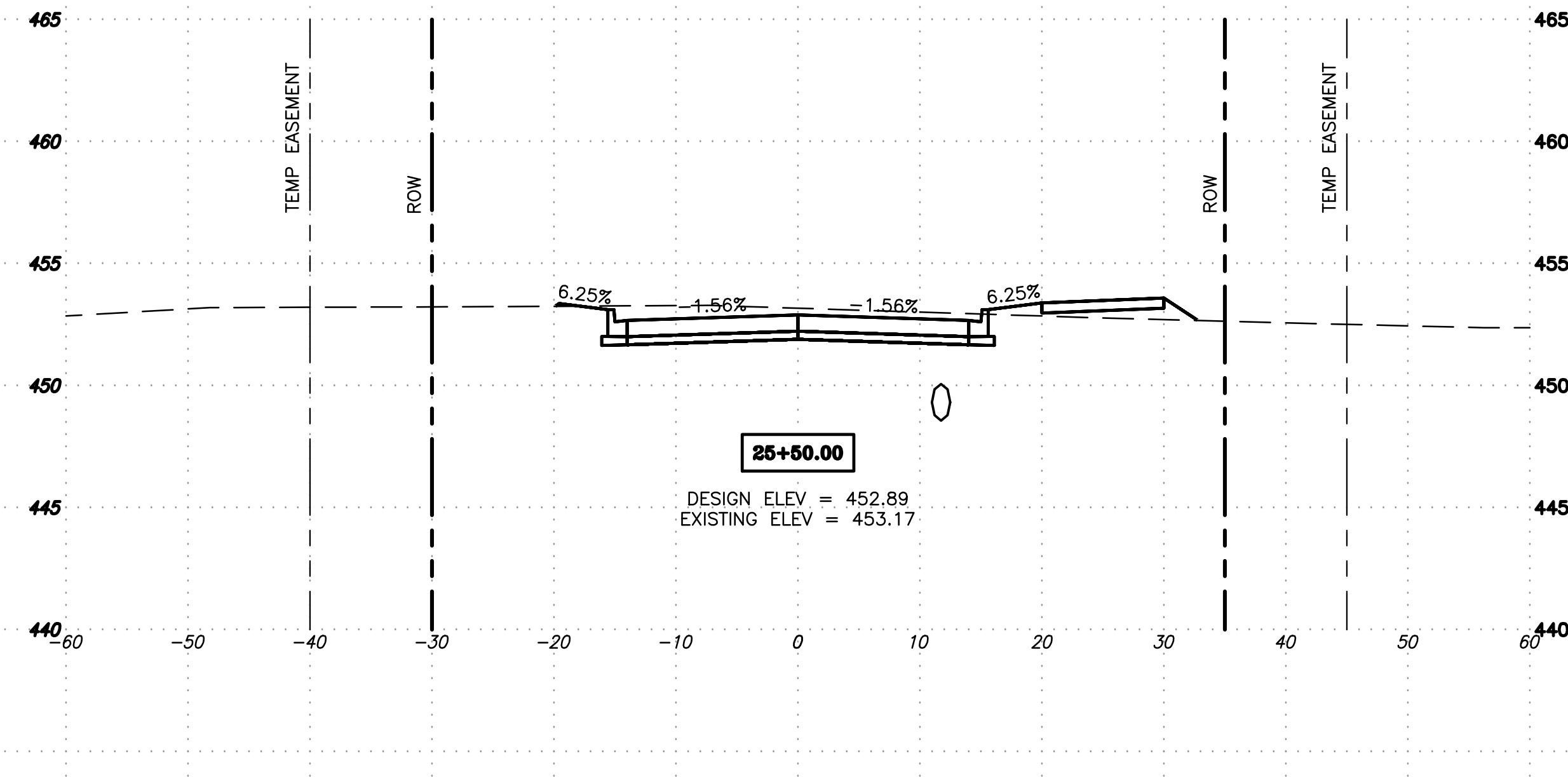
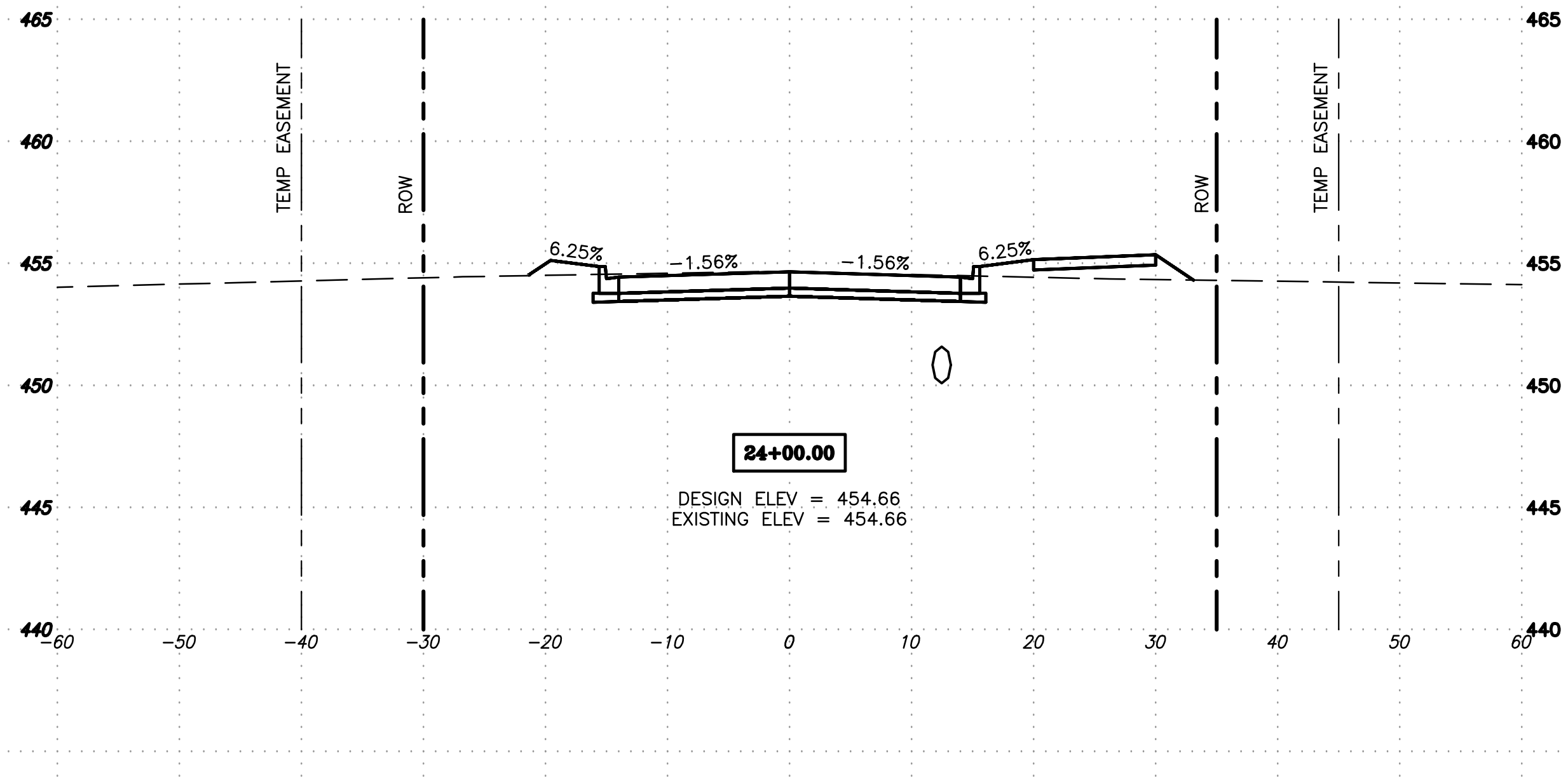
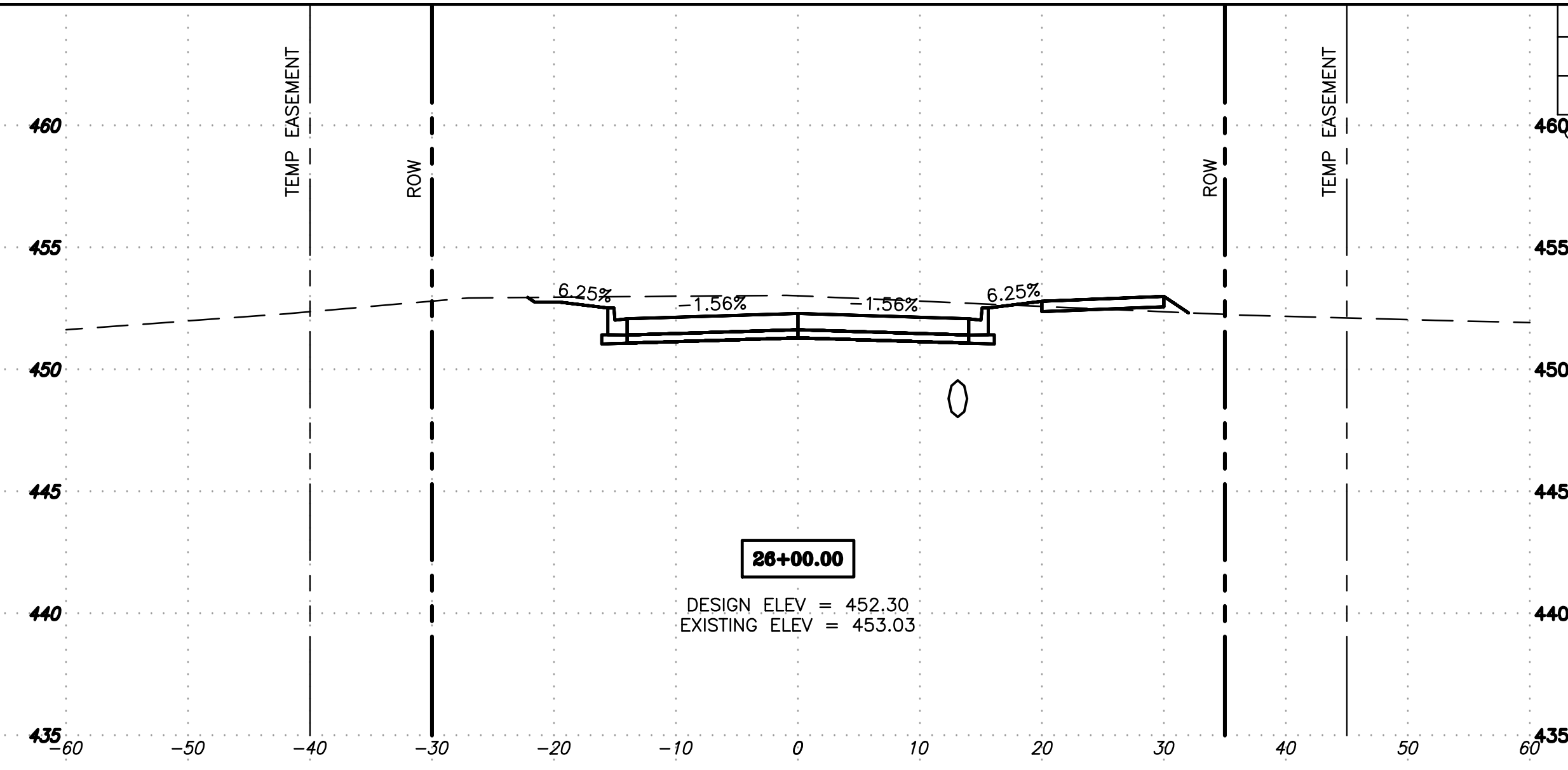
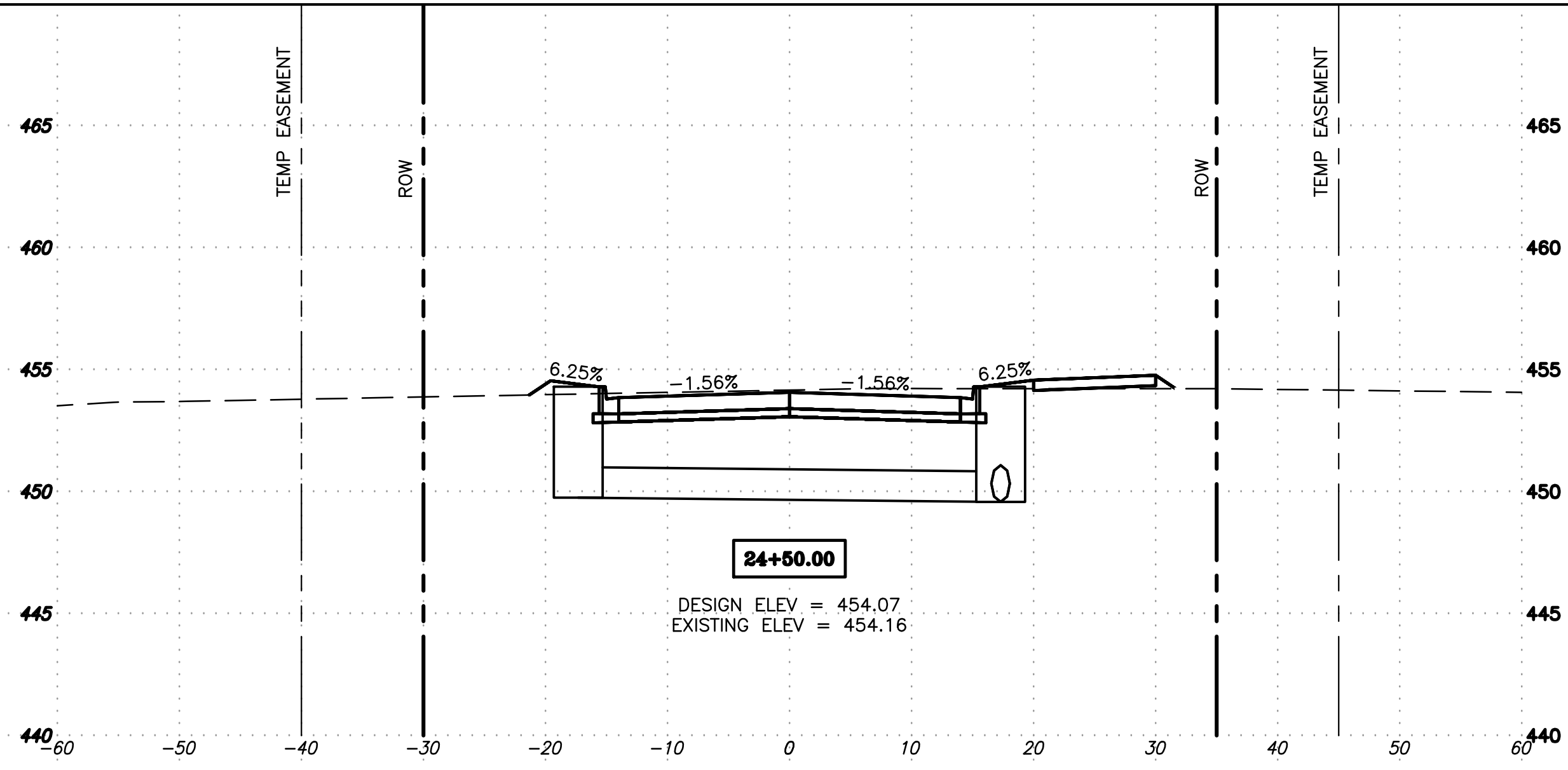


ROUTE NO.	SECTION	CITY	TOTAL SHEETS	SHEET NO.
F.A.U. 9719	06-00054 -00-FP	HERRIN	733	729
ILLINOIS		RUSHING DR. CONNECTOR		
CONTRACT NO. 99468				



RITTER ROAD - CROSS-SECTIONS - STA 23+50 TO 26+00