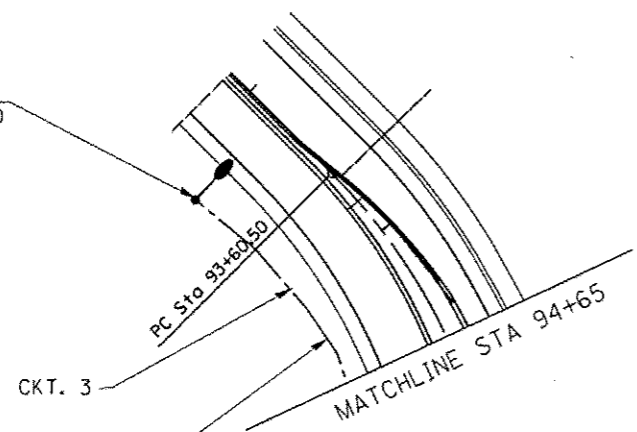
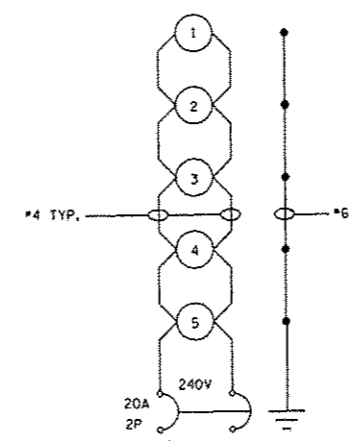
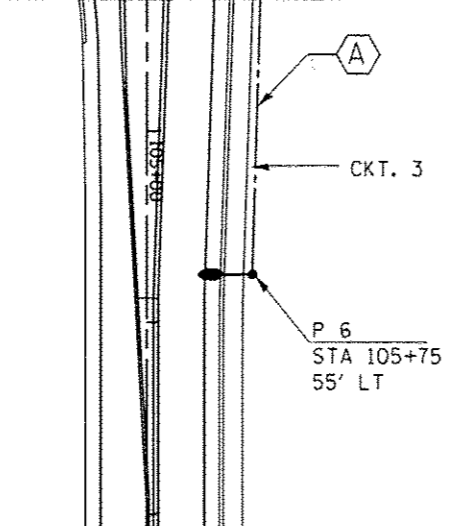


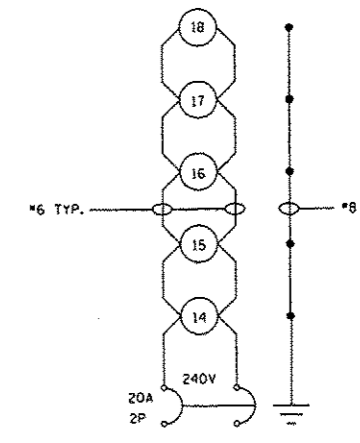
P 13  
STA 93+20  
60' RT



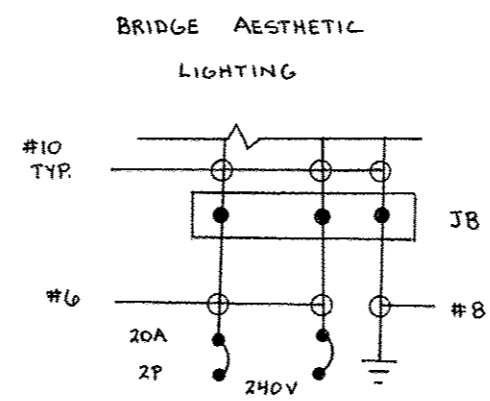
MATCHLINE STA 104+30



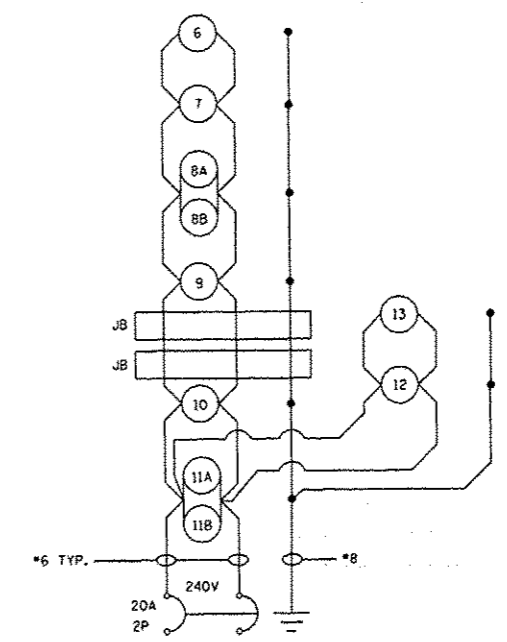
LIGHTING CKT 1  
PROPOSED LIGHTING CONTROLLER  
WOLF CREEK RD AT RAMP B



LIGHTING CKT 2  
PROPOSED LIGHTING CONTROLLER  
WOLF CREEK RD AT RAMP B



BRIDGE AESTHETIC  
LIGHTING  
LIGHTING CKT. 4  
PROPOSED LIGHTING CONTROLLER  
WOLF CREEK RD AT RAMP B



LIGHTING CKT 3  
PROPOSED LIGHTING CONTROLLER  
WOLF CREEK RD AT RAMP B

WIRING DIAGRAMS

NOTES:

ALL NECESSARY REVISIONS TO THE WIRING SHOWN ON THIS SHEET SHALL BE MADE AT NO ADDITIONAL COST TO THE DEPARTMENT AND TO THE SATISFACTION OF THE ENGINEER.

LEGEND	
○	250W PROPOSED LUMINAIRE
□	JUNCTION BOX

FILE NAME : c:\pwwork\pudot\levender\ba\0363610\78221-shr-light-04.dgn	USER NAME : RUSER*	DESIGNED - KN	REVISED -	<b>STATE OF ILLINOIS DEPARTMENT OF TRANSPORTATION</b>	<b>PROPOSED HIGHWAY LIGHTING CIRCUIT DIAGRAMS IL 13</b>	F.A.P. RTE.	SECTION	COUNTY	TOTAL SHEETS	SHEET NO.
PLOT SCALE : 2.0000 1/16"	DRAWN - AS	REVISED -	331			(1-3R-2, N-4, TS-4, HBK-1)	WILLIAMSON	733	356	
PLOT DATE : 11/31/2014	CHECKED -	REVISED -	DRAWING NO. <b>LT-04</b>			CONTRACT NO. 78221				
DATE -	REVISED -	ILLINOIS FED. AID PROJECT								
				SCALE: 1"=50'	SHEET NO. 4 OF 5 SHEETS	STA.	TO STA.			