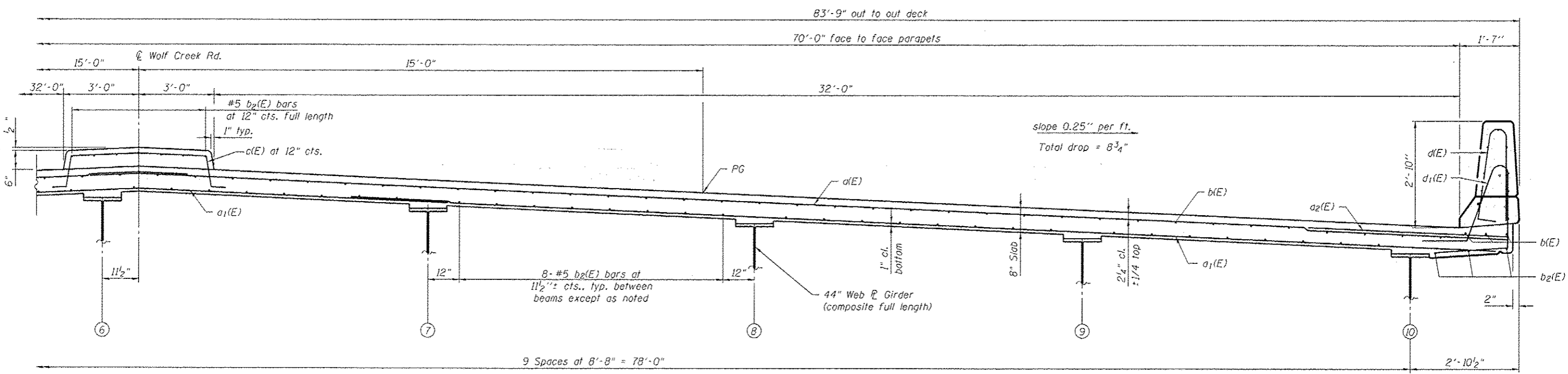


NEAR PIER



NEAR MIDSPAN

CROSS SECTION  
(Looking South)

**MINIMUM BAR LAP**  
(Slab)  
#5 bar = 2'-7"

FILE NAME : c:\p\work\p\dot\lavender-ba\0363618\10099-978221-809-Super.dgn	USER NAME : #USER#	DESIGNED - DF	REVISD -	<b>STATE OF ILLINOIS DEPARTMENT OF TRANSPORTATION</b>	<b>DECK CROSS SECTION STRUCTURE NO. 100-0099</b>	F.A.P. RTE. 333	SECTION (1-3)R-2, N-4, TS-4, HBK-1	COUNTY WILLIAMSON	TOTAL SHEETS 733	SHEET NO. 366
<b>CH2MHILL</b>	PLOT SCALE : 0.1667	DRAWN - AK	REVISD -			DRAWING NO. BR-09	CONTRACT NO. 78221			
	PLOT DATE : 1/31/2014	CHECKED - JE	REVISD -			SHEET NO. 9 OF 27 SHEETS				
ILLINOIS FED. AID PROJECT										