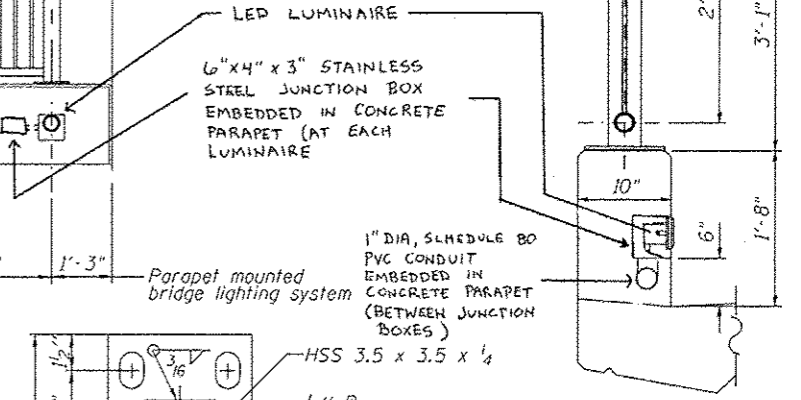
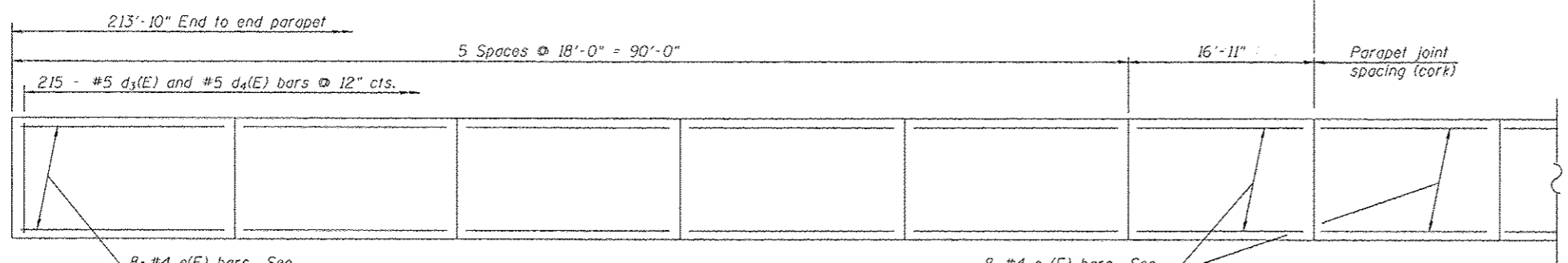


Notes:  
See Parapet Joint Details on sheet 10.  
All posts, railings, splices, anchor devices,  
and bent plates shall be painted per project  
specifications.

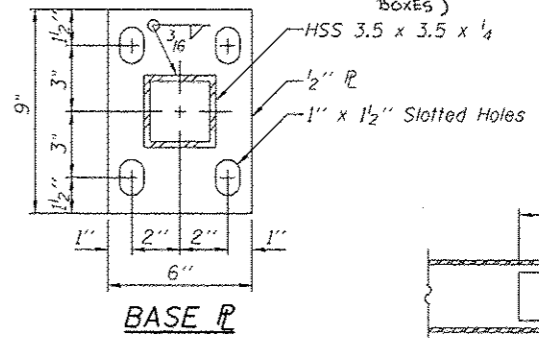
**INSIDE ELEVATION OF PARAPET**



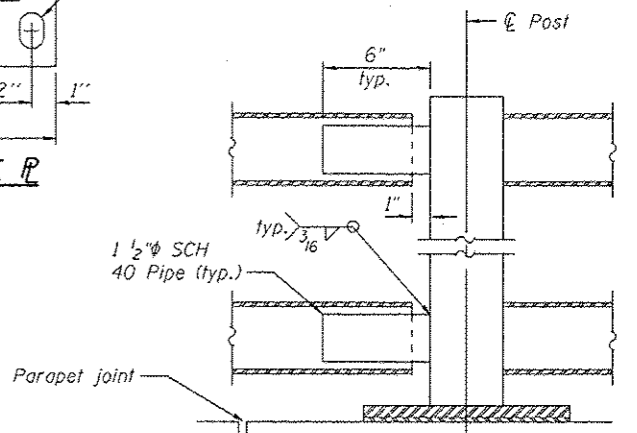
**SECTION A-A**



**INSIDE ELEVATION OF PARAPET REINFORCING**



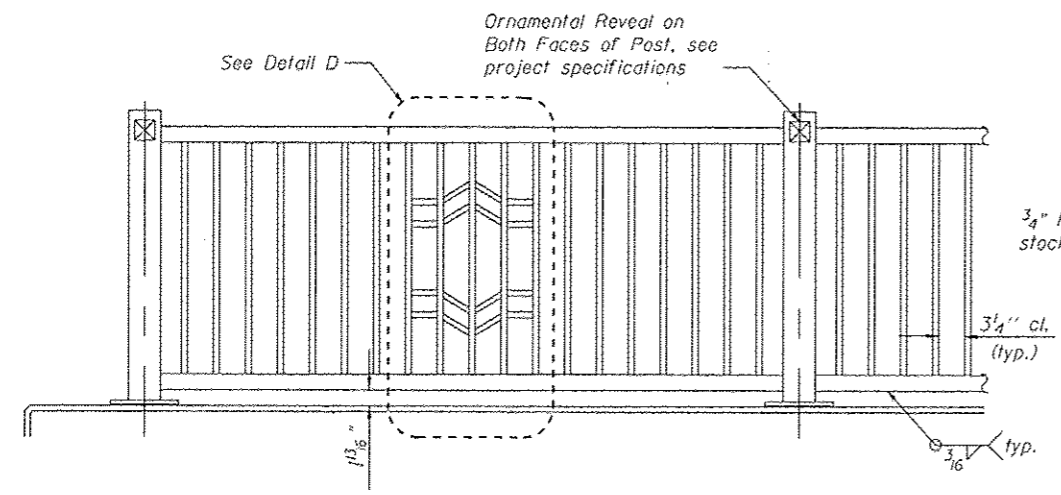
**BASE P**



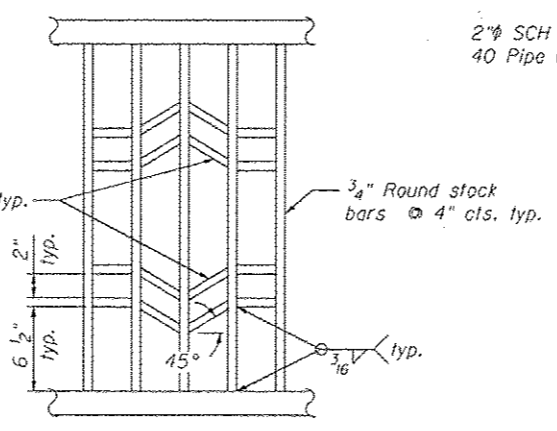
**EXPANSION JOINT POST**

**BILL OF MATERIAL**

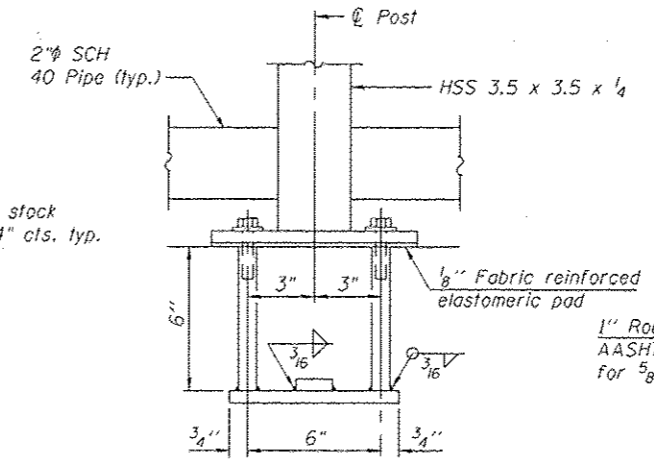
Item	Unit	Quantity
Decorative Steel Railing	Foot	211
Parapet Mounted Bridge Lighting System	Lump Sum	1



**DECORATIVE STEEL RAILING ELEVATION**



**DETAIL D**



**DECORATIVE STEEL RAILING ANCHOR BOLT DETAILS**

In lieu of the cast-in-place anchor device shown, the Contractor has the option of drilling and setting 5/8" phi anchor rods according to Article 509.06 of the Standard Specifications. Embedment shall be according to the manufacturer's specifications.

