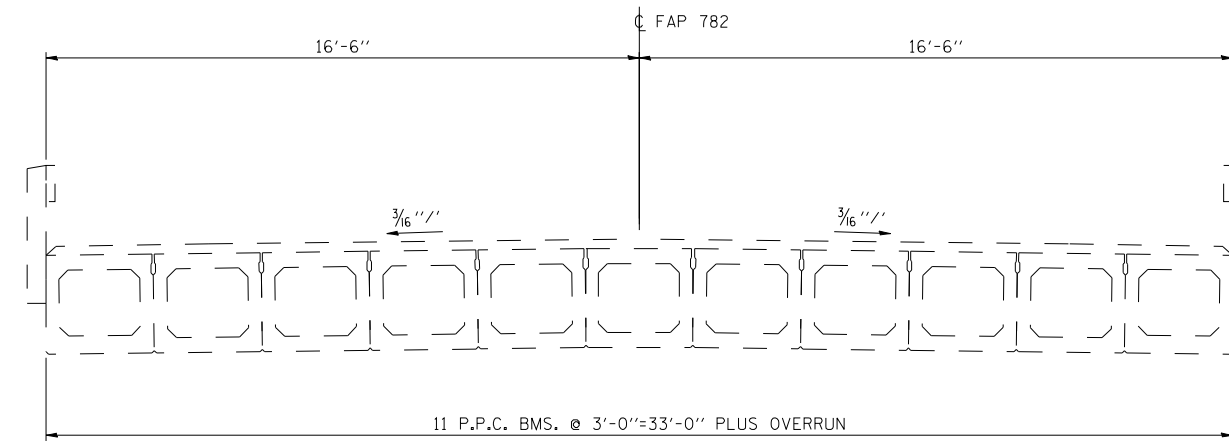
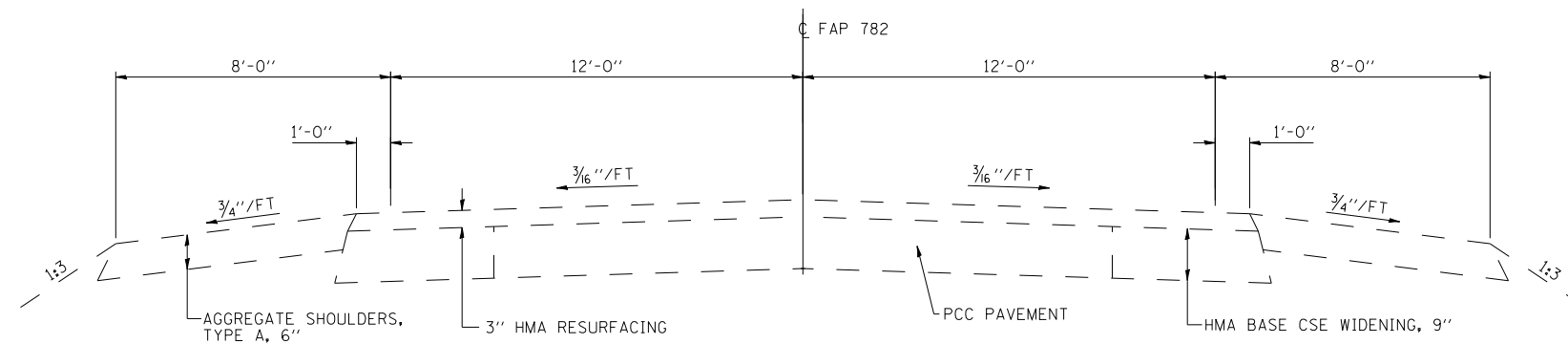


**EXISTING TYPICAL SECTION  
STA 994+61 TO STA 996+25.44**



**EXISTING BRIDGE TYPICAL SECTION  
CENTERLINE OF STRUCTURE STA 997+00**



**EXISTING TYPICAL SECTION  
STA 997+66.27 TO STA 1000+15**

PRINT DRIVER = LUD-ER-BAUL  
 SCALE NAME = PLOT  
 FILE NAME = D:\PROJECTS\115B-1\115B-1.dwg



|                                  |                |           |
|----------------------------------|----------------|-----------|
| USER NAME = kah                  | DESIGNED - JMS | REVISED - |
| ESCA PROJECT NO. 1035.03         | DRAWN - HAS    | REVISED - |
| PLOT SCALE = 0.1667' / IN.       | CHECKED - NHP  | REVISED - |
| PLOT DATE = 1/22/2014 5:18:16 PM | DATE - 11/13   | REVISED - |

**STATE OF ILLINOIS  
DEPARTMENT OF TRANSPORTATION**

**TYPICAL SECTIONS**

SCALE: SHEET NO. 1 OF 4 SHEETS STA. TO STA.

| F.A.P. RTE.                                   | SECTION | COUNTY | TOTAL SHEETS       | SHEET NO. |
|---|---------|--------|--------------------|-----------|
| 782   | 115B-1  | HARDIN | 70                 | 9         |
| FED. ROAD DIST. NO. ILLINOIS FED. AID PROJECT |         |        | CONTRACT NO. 78263 |           |