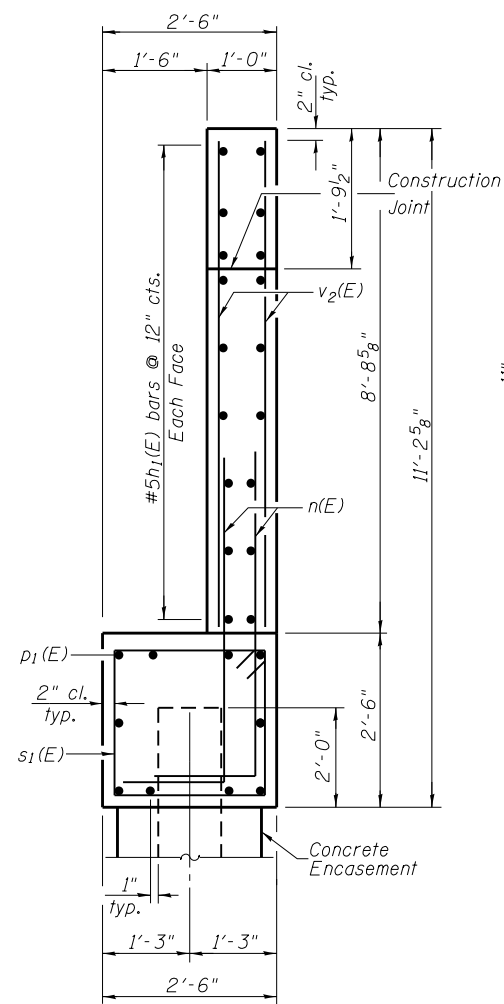
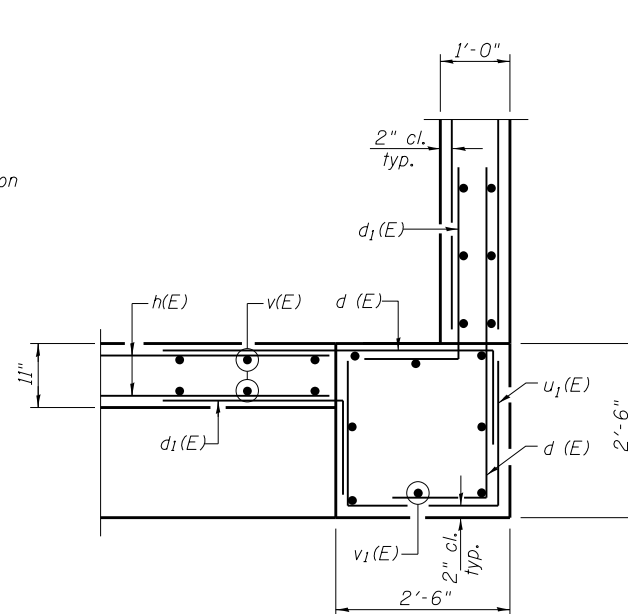


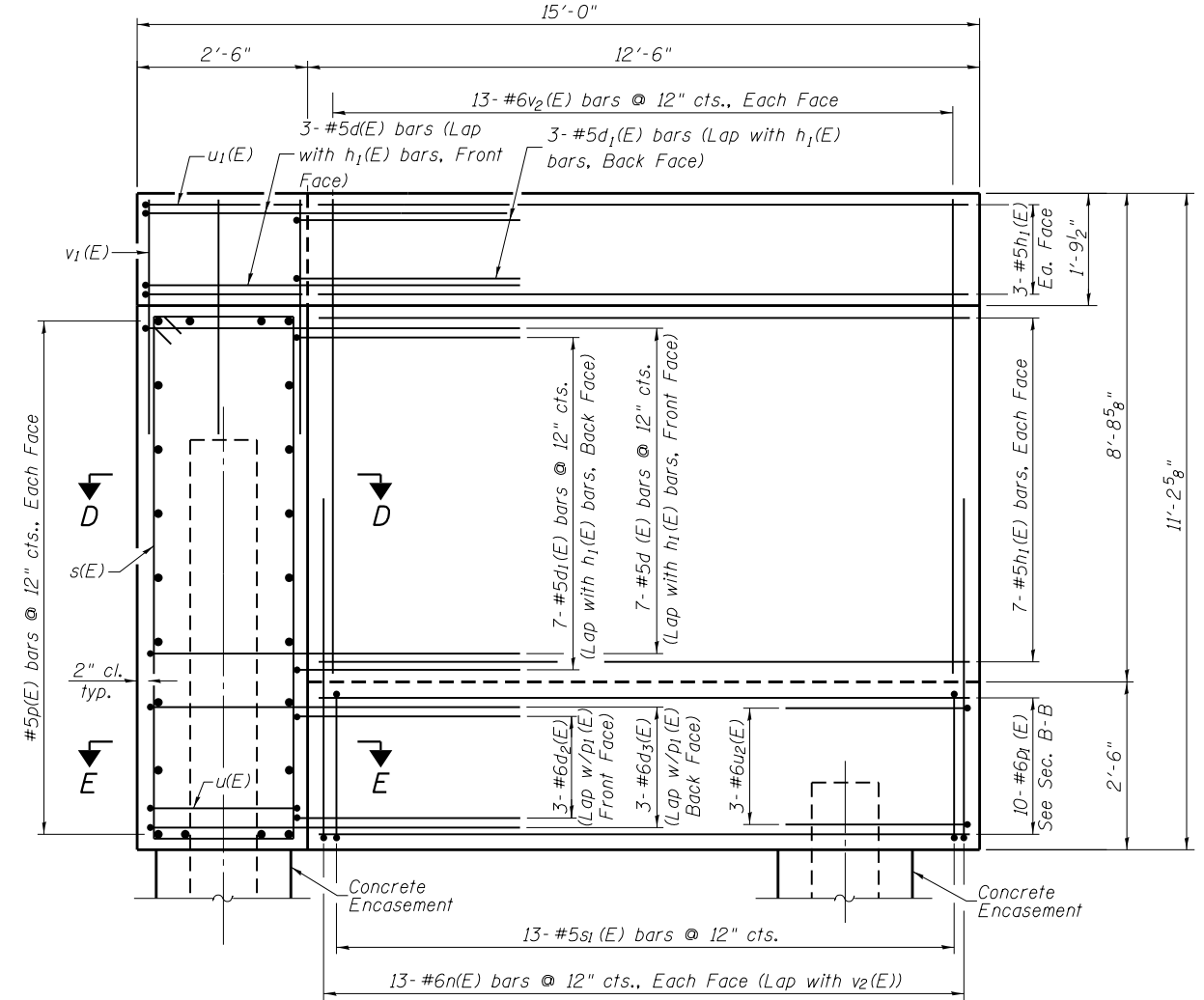
SECTION A-A



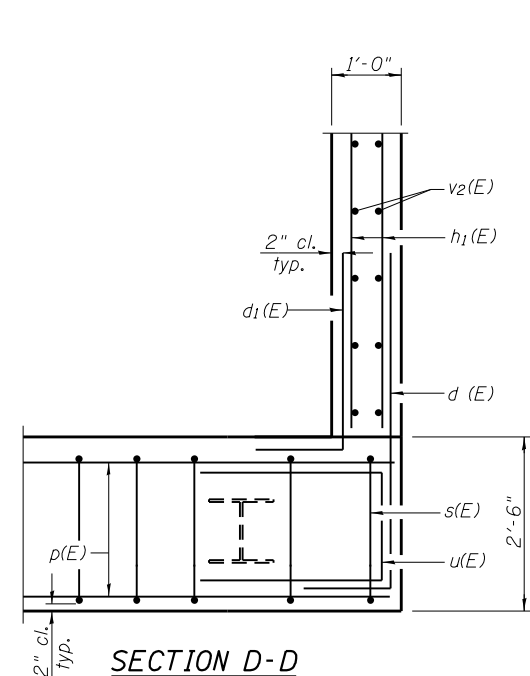
SECTION B-B



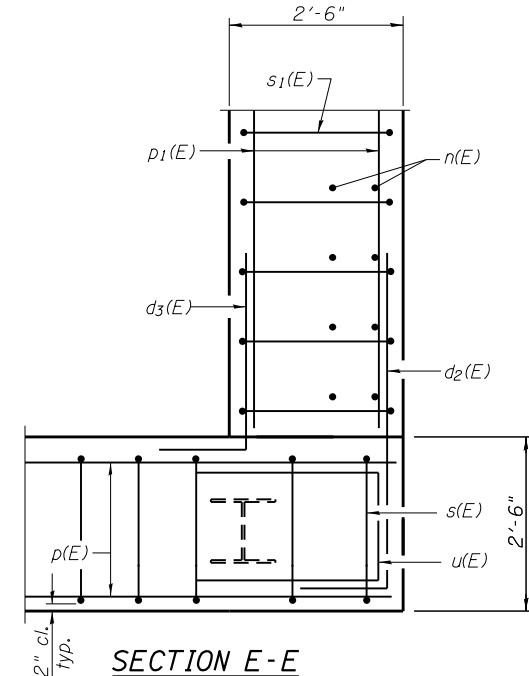
SECTION C-C



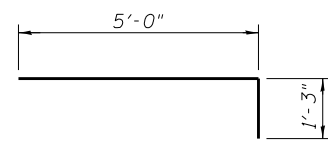
WINGWALL ELEVATION



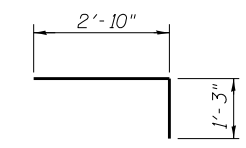
SECTION D-D



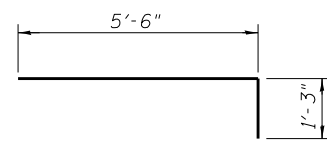
SECTION E-E



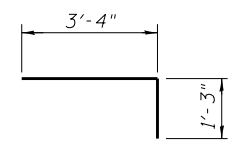
BAR d (E)



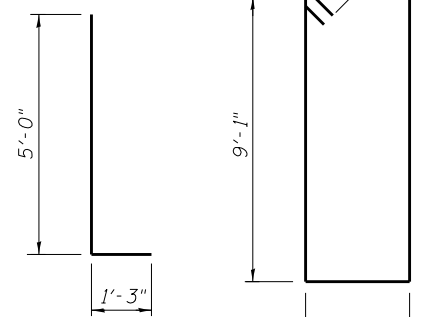
BAR d1 (E)



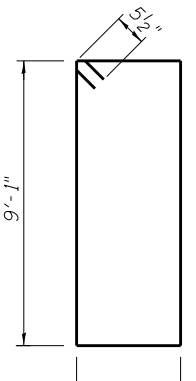
BAR d2 (E)



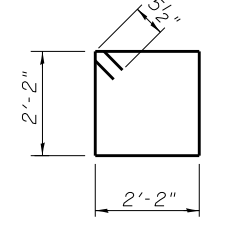
BAR d3 (E)



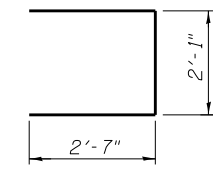
BAR n (E)



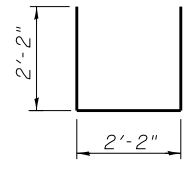
BAR s (E)



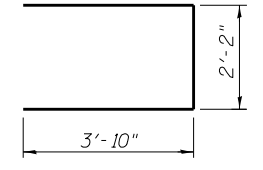
BAR s1 (E)



BAR u (E)



BAR u1 (E)



BAR u2 (E)