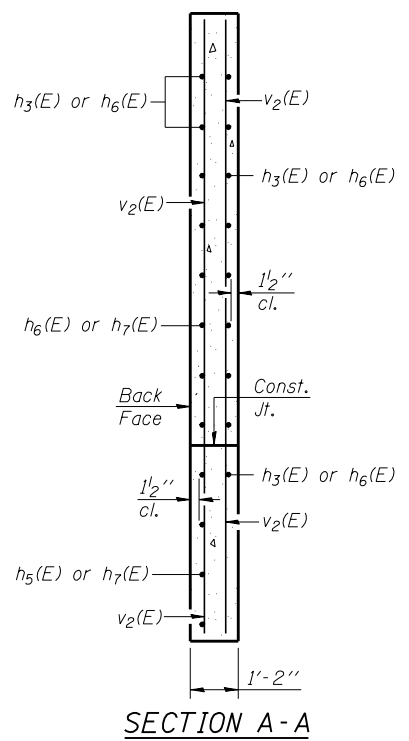
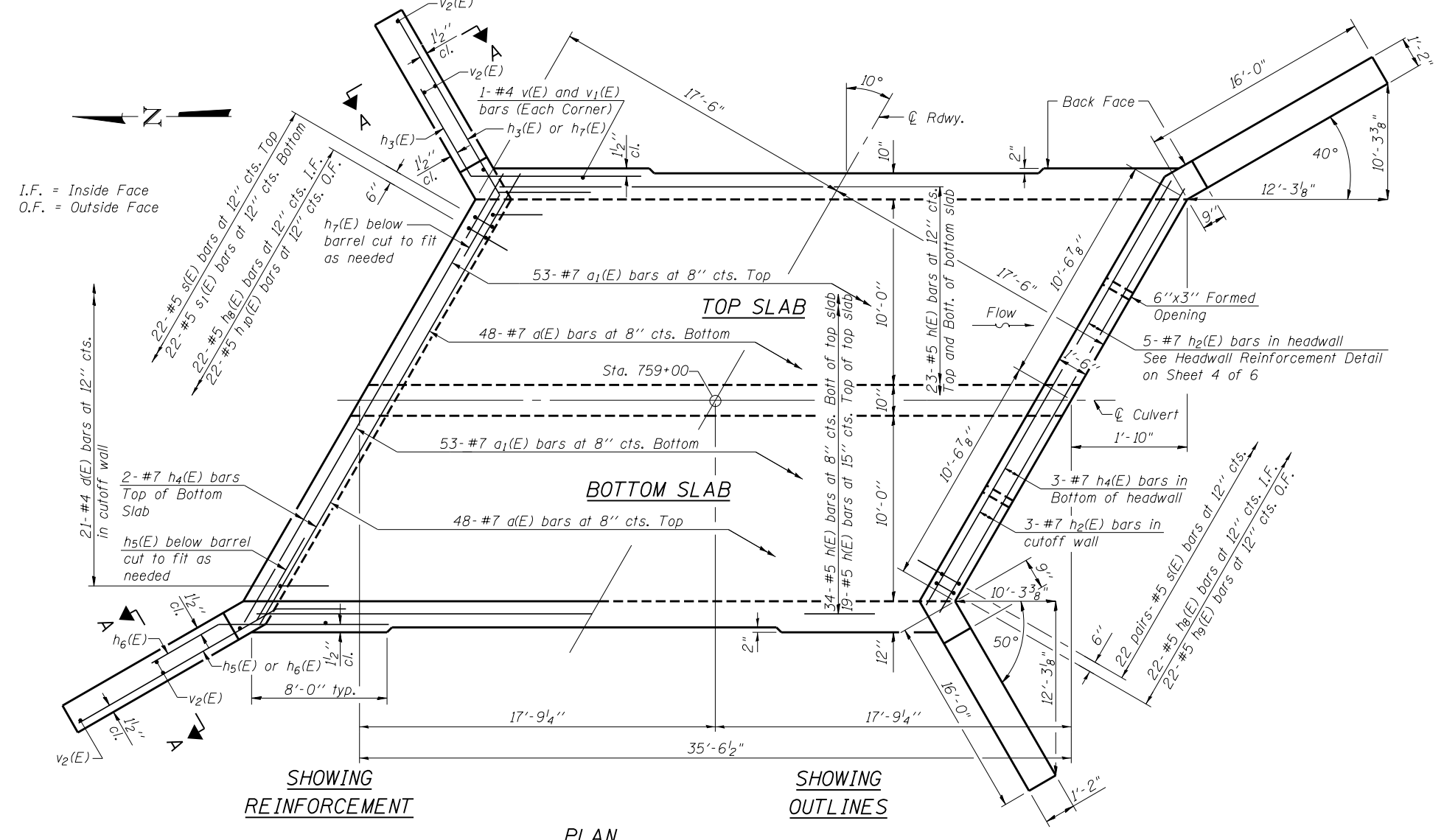


WINGWALL DIMENSIONS

Location	A	B
NE Wing	16'-1 ³ / ₄ "	9'-9 ³ / ₄ "
NW Wing	15'-10 ¹ / ₂ "	9'-6 ¹ / ₂ "
SE Wing	16'-5 ¹ / ₄ "	10'-1 ¹ / ₄ "
SW Wing	16'-1 ³ / ₄ "	9'-9 ³ / ₄ "



Notes:
 A distance of half the length of the wingwall but not less than six feet of the barrel shall be poured monolithically with the wingwalls.
 See Sheet 4 of 6 for drain detail, headwall reinforcement details, bar details and Bill of Material.

FILE NAME = ...
 PROJECT NO. 08055-24

DB-H-R
 7-1-10
 Coombe-Bloxdorf P.C.
 CIVIL ENGINEERS-
 STRUCTURAL ENGINEERS-
 LAND SURVEYORS
 Design Firm License No. 184-002703

USER NAME = *USER*	DESIGNED - CME	REVISED -
CHECKED - MCB	REVISOR -	
PLOT SCALE = *SCALE*	DRAWN - MML	REVISOR -
PLOT DATE = 1/23/2014	CHECKED - MCB	REVISOR -

STATE OF ILLINOIS
 DEPARTMENT OF TRANSPORTATION

CULVERT DETAILS
 STRUCTURE NO. 083-2022

SHEET NO. 3 OF 6 SHEETS

F.A.S. RTE.	SECTION	COUNTY	TOTAL SHEETS	SHEET NO.
899	8B-1	SALINE	33	20

CONTRACT NO. 78268
 ILLINOIS FED. AID PROJECT