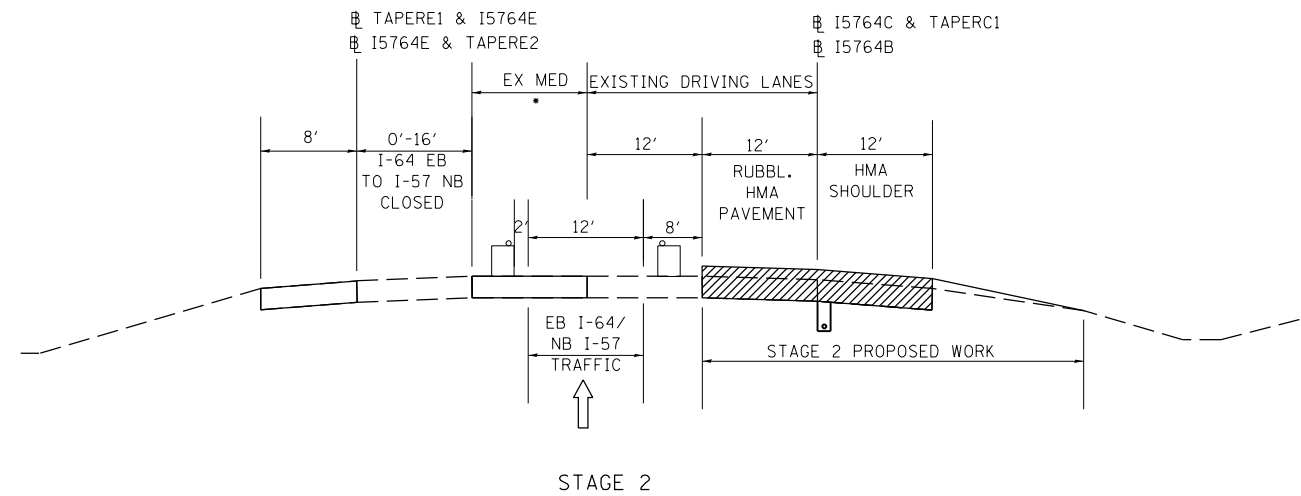


NB I-57
 STA 847+03.12 TO STA 866+76.63 (I5764B)
 *STA 880+94.86 (I5764B) = STA 882+15.39, 59' RT TO STA 885+00 (I5764A)

EB I-64 TO SB I-57
 STA 2360+00 TO STA 2363+46.36 (I64)
 STA 2378+60.38 TO STA 2395+58.04 (I5764C)



NB I-57
 STA 866+76.63 TO STA 880+94.86 (I5764B) = STA 882+15.39, 59' RT (I5764A)
 *0'-23.6'

EB I-64 TO SB I-57
 STA 2364+46.36 (I64)=2364+03.81 (I5764C) TO STA 2378+60.38 (I5764C)
 *0'-24.1'

FILE NAME =	USER NAME = rollavr	DESIGNED -	REVISED -
c:\pwwork\pwwork\rollavr\d0278568\78276-shhd-stageconstruction.dgn		DRAWN -	REVISED -
Default	PLOT SCALE = 100.0000' / in.	CHECKED -	REVISED -
	PLOT DATE = 2/28/2014	DATE -	REVISED -

**STATE OF ILLINOIS
 DEPARTMENT OF TRANSPORTATION**

**STAGE 2
 TYPICAL SECTIONS**

SCALE: SHEET 2 OF 9 SHEETS STA. TO STA.

F.A.I. RTE.	SECTION	COUNTY	TOTAL SHEETS	SHEET NO.
..	.	JEFFERSON	235	93
CONTRACT NO. 78276			ILLINOIS FED. AID PROJECT	