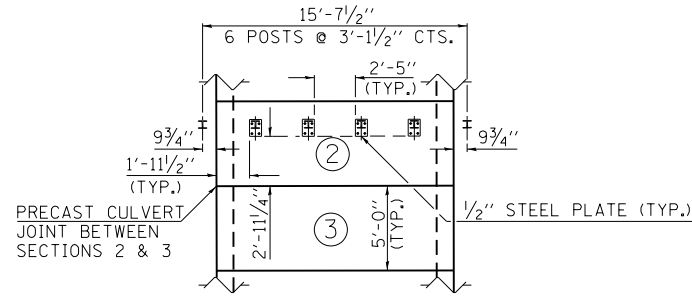


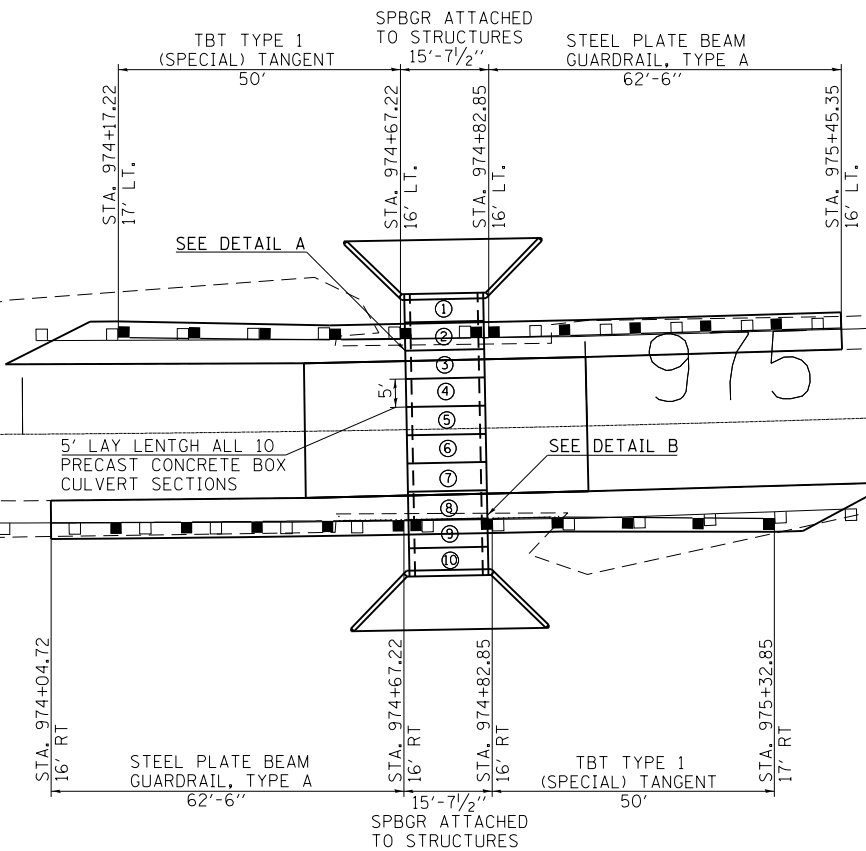


DETAIL A
(WORK WITH STANDARD 630101-09, CASE IV)

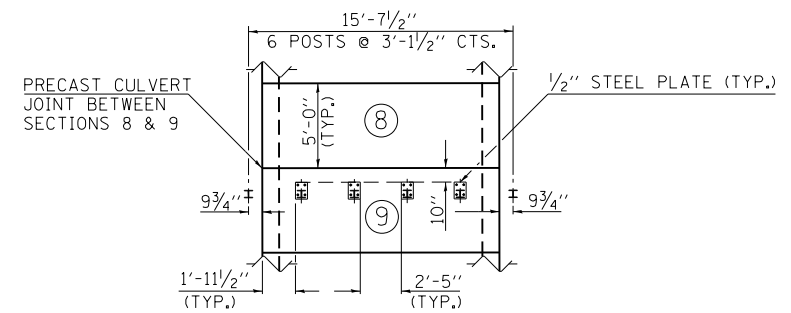


GUARDRAIL DETAIL

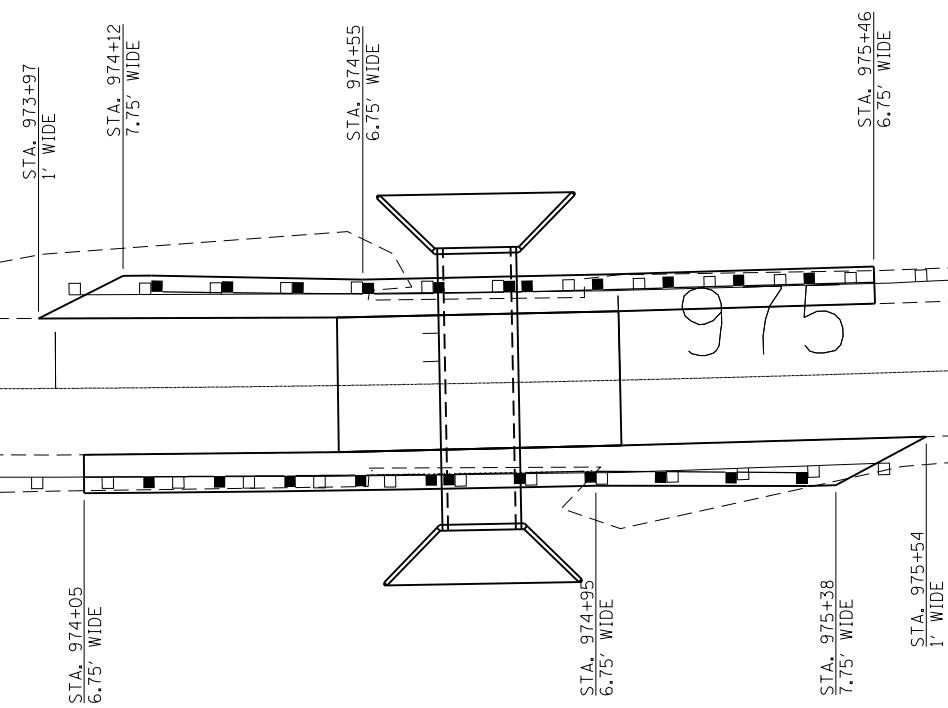
NOTE: THE HOLES FOR INSERTS IN THE TOP SLAB OF PROPOSED PRECAST BOX CULVERT SECTIONS ② AND ③ SHALL BE CAST INTO THE TOP SLAB AT THE PRECAST CONCRETE PLANT. THE HOLES FOR INSERTS SHALL BE AS SHOWN IN STANDARD 630101-09, CASE IV.



DETAIL B
(WORK WITH STANDARD 630101-09, CASE IV)



HMA SHOULDER DETAIL



FILE NAME =	USER NAME = porterc	DESIGNED -	REVISED -
ci:\pw\work\pwidot\porterc\10322720\78316-sht-plan.dgn		DRAWN -	REVISED -
Default		CHECKED -	REVISED -
	PLOT DATE = 1/28/2014	DATE -	REVISED -

STATE OF ILLINOIS
DEPARTMENT OF TRANSPORTATION

GUARDRAIL & HMA SHOULDER DETAIL

SCALE: SHEET OF SHEETS STA. TO STA.

F.A.P. RTE.	SECTION	COUNTY	TOTAL SHEETS	SHEET NO.
778	4B-2	HARDIN	19	8
CONTRACT NO. 78316				
ILLINOIS FED. AID PROJECT				