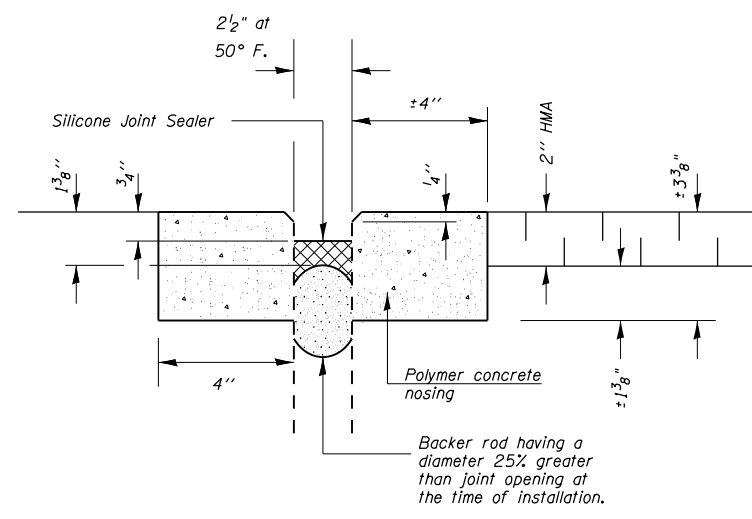
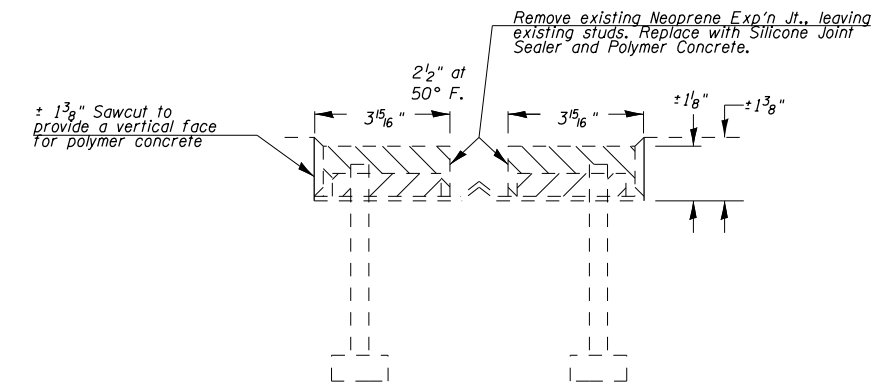


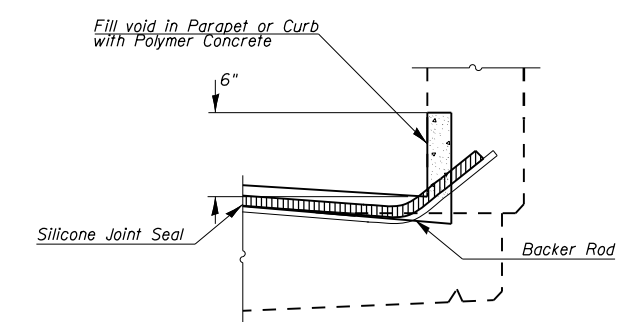
**HMA TAPER  
AT DECK DRAINS**



**SILICONE JOINT SEALER DETAIL**  
Both Joints



**SECTION A-A  
EXISTING NEOPRENE JOINT DETAIL**



**TYPICAL END OF SEAL TREATMENT  
AT EXPANSION JOINT**

FILE NAME =	USER NAME = \$USER\$	DESIGNEDRAW	REVISED -
ct:\pw_work\p\d04\adamsem\0358434\78384-dgn		DRAWN RAW	REVISED -
	PLOT SCALE = 5.0000' / in.	CHECKED TWH	REVISED -
\$MODELNAME\$	PLOT DATE = 1/31/2014	DATE -	REVISED -

**STATE OF ILLINOIS  
DEPARTMENT OF TRANSPORTATION**

**STAGING DETAILS  
SN 083-0045**

SCALE: SHEET OF SHEETS STA. TO STA.

•• D9 CM DECK PATCH & RES 2014-1

F.A.P. RTE.	SECTION	COUNTY	TOTAL SHEETS	SHEET NO.
331	••	SALINE	8	6
CONTRACT NO. 78384				
ILLINOIS FED. AID PROJECT				