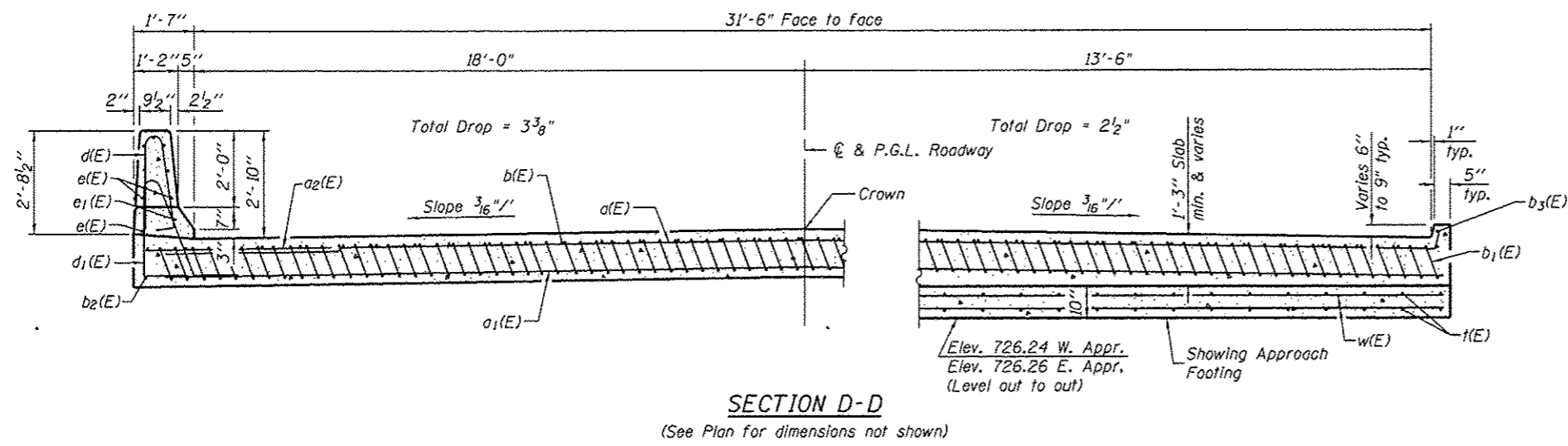
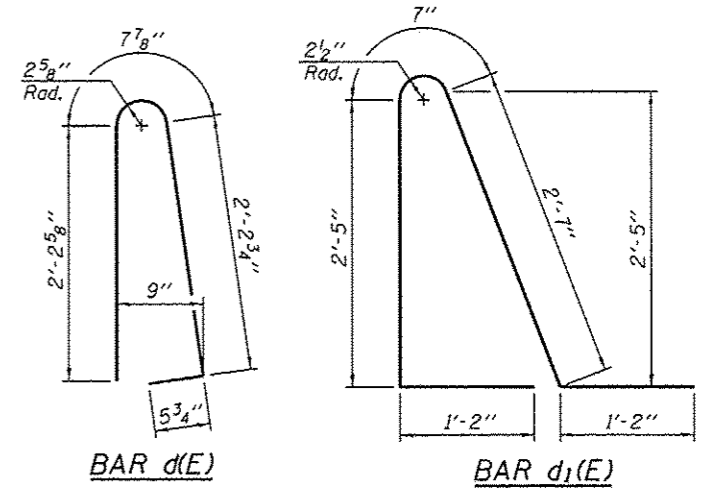
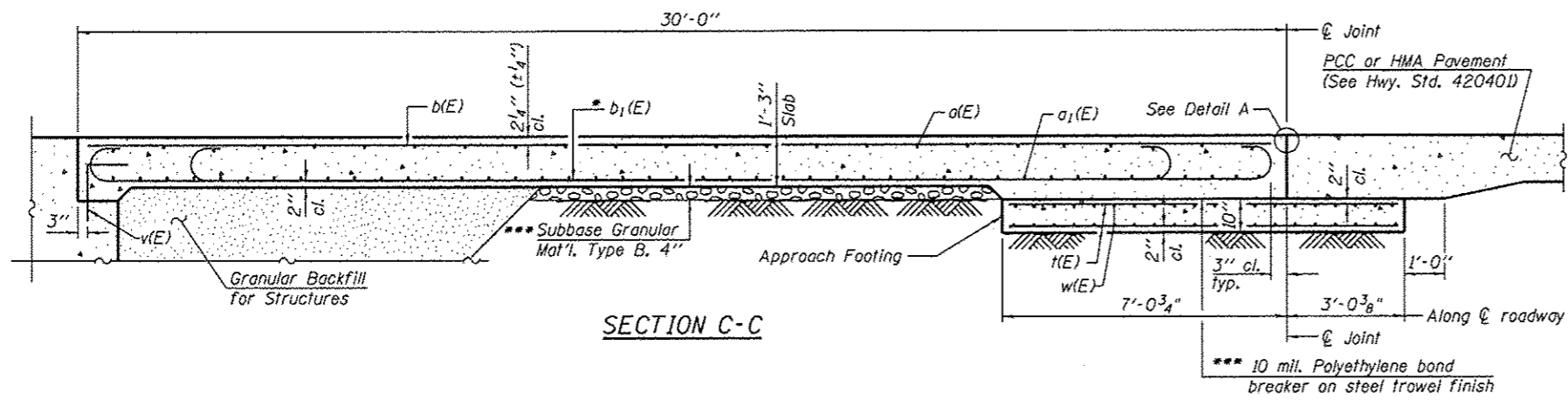


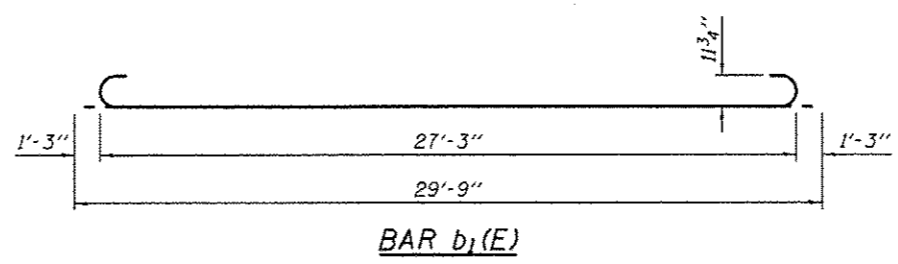
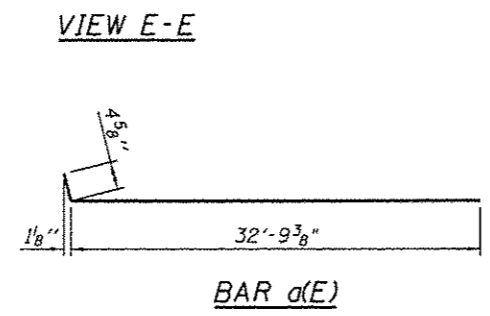
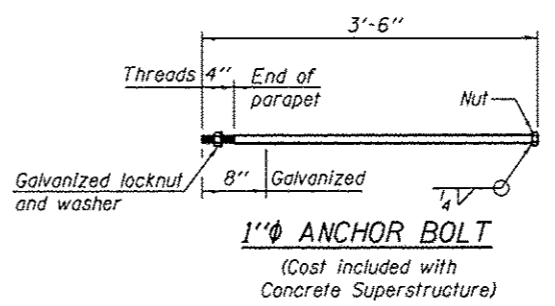
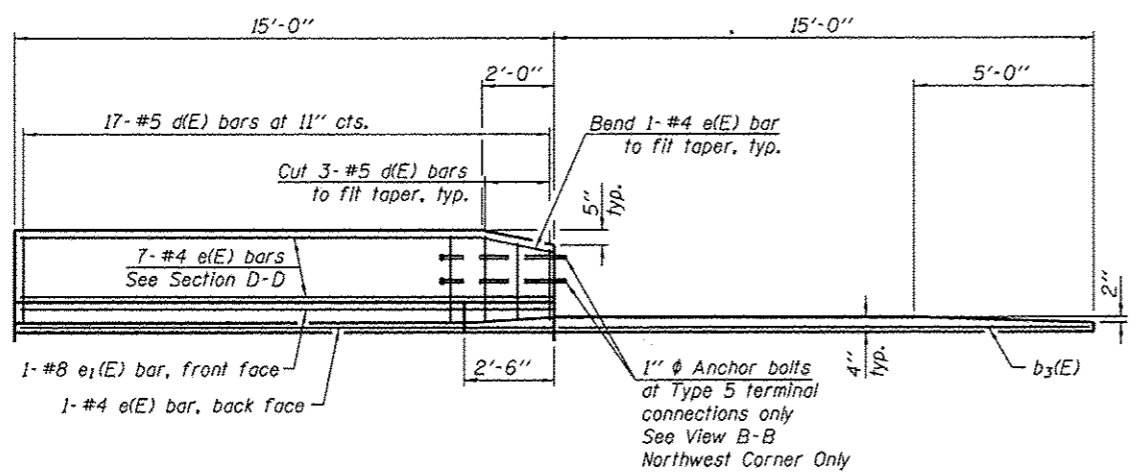
Notes:
 See sheet S-10 for Detail A and View B-B.
 Approach slab and parapet concrete shall be paid for as Concrete Superstructure.
 Approach footing concrete shall be paid for as Concrete Structures.
 Reinforcement shall be paid for as Reinforcement Bars, Epoxy Coated.
 For v(E) bar details, see sheet S-09.
 The approach footing maximum applied service bearing pressure (Qmax) = 2.0 ksf.
 Cost of excavation for approach footing included with Concrete Structures.
 For Granular Backfill for Structures and drainage treatment details, see sheet S-02.
 For additional parapet details, see sheet S-08.



*. Till #9 b1(E) bars as required to maintain clearance.
 *** Cost included with Concrete Superstructure.

**TWO APPROACHES
 BILL OF MATERIAL**

Bar	No.	Size	Length	Shape
a(E)	50	#4	33'- 2"	—
a1(E)	92	#5	32'- 6"	—
a2(E)	24	#6	6'- 6"	—
b(E)	54	#4	29'- 8"	—
b1(E)	158	#9	29'- 9"	—
b2(E)	2	#4	14'- 8"	—
b3(E)	3	#4	29'- 8"	—
d(E)	34	#5	5'- 7"	U
d1(E)	34	#5	7'- 11"	U
e(E)	16	#4	14'- 8"	—
e1(E)	2	#8	14'- 8"	—
t(E)	136	#4	9'- 9"	—
w(E)	80	#5	32'- 10"	—
Concrete Superstructure			Cu. Yd.	97.4
Concrete Structures			Cu. Yd.	20.5
Reinforcement Bars, Epoxy Coated			Pound	25,930



COMPANY NAME: Kevin M. Arff
 PROJECT CONTACT: City of Rockford
 CLIENT: 2/18/2014 10:51 AM
 DATE PLOTTED: 8/13/2014 10:51 AM
 FILE NAME: 86130054-App-081-02.dgn
 PLOT DRIVER: paf_dwt-111.dwt
 PEN TABLE: Struct-11x17.tbl



USER NAME = whood	DESIGNED - KMA	REVISED -
PLGT SCALE =	CHECKED - RGD	REVISED -
PLGT DATE = 2/18/2014	DRAWN - WJH	REVISED -
	CHECKED - 2/18/14	REVISED -

STATE OF ILLINOIS
 DEPARTMENT OF TRANSPORTATION

BRIDGE APPROACH SLAB DETAILS
 STRUCTURE NO. 101-6148

SHEET NO. 5-11 OF 5-19 SHEETS

F.A. RTE. 3259	SECTION 11-00590-00-BR	COUNTY WINNEBAGO	TOTAL SHEETS 32	SHEET NO. 21
				CONTRACT NO. 05607
ILLINOIS FED. AID PROJECT				