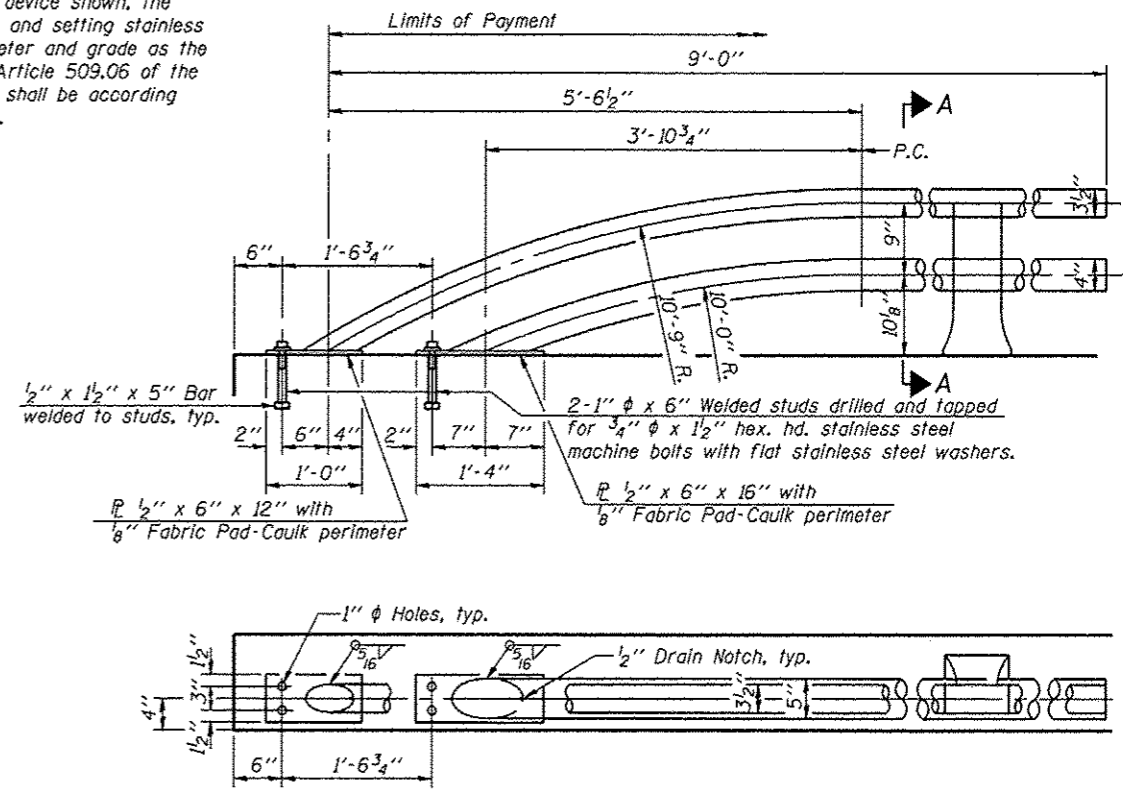
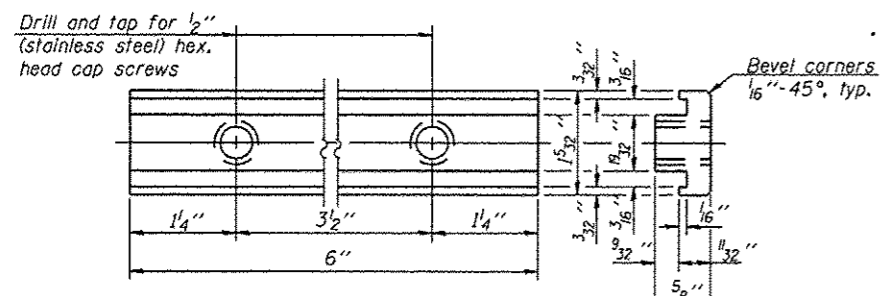


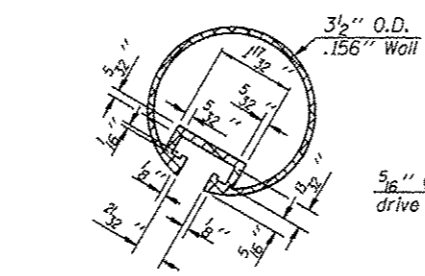
In lieu of the cast-in-place anchor device shown, the Contractor has the option of drilling and setting stainless steel anchor rods of the same diameter and grade as the specified cap screws according to Article 509.06 of the Standard Specifications. Embedment shall be according to the manufacturer's specifications.



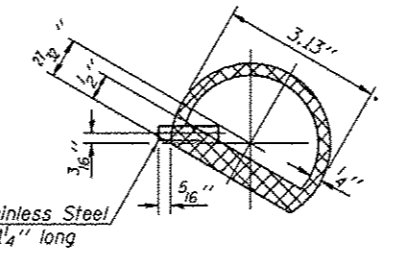
RAIL TERMINAL SECTION



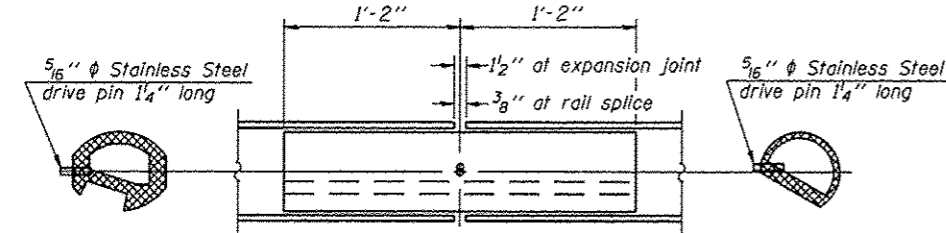
RAIL POST CLAMP BAR For Top Rail



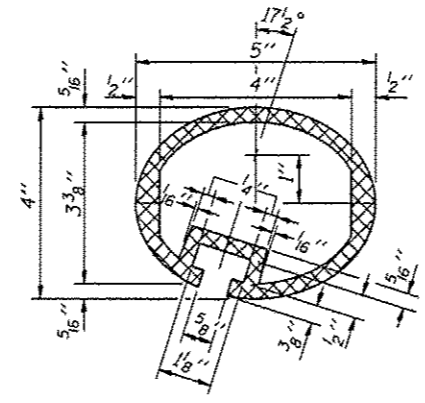
SECTION THRU TOP RAIL



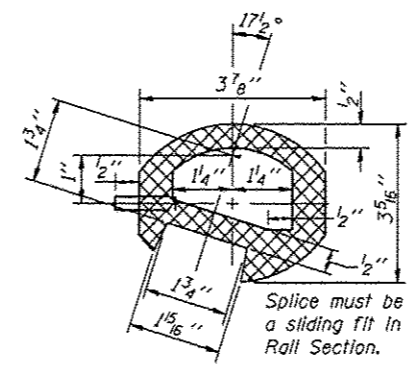
SECTION THRU SPLICE For Top Rail



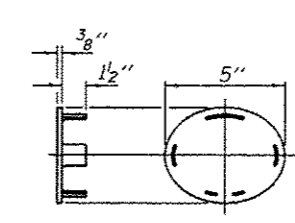
RAIL SPLICE



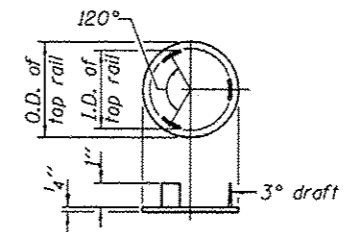
SEC. THRU ELLIPTICAL RAIL SECTION



SEC. THRU SPLICE

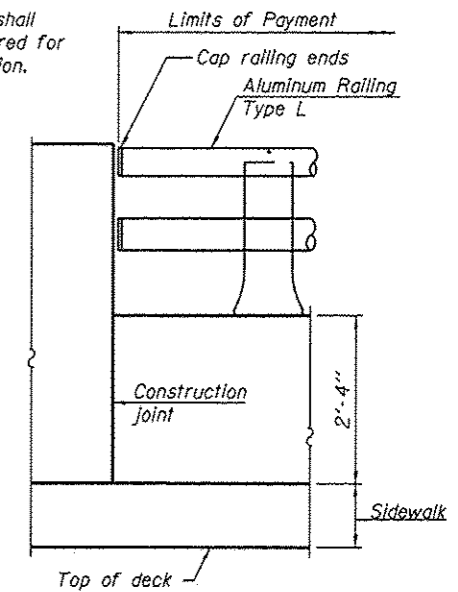


CAST END CAP For bottom rail DRIVE FIT TYPE



CAST END CAP For top rail

Note: The end rail post shall be set back as required for the terminal rail section.



RAIL END TREATMENT FOR TYPE 5 AND 6 TERMINAL

Notes: All Posts shall be normal to parapet. All joints in rail shall be spliced per detail. All exposed rail ends shall be capped per detail. Provide 1-1/8\"/>

BILL OF MATERIAL

Item	Unit	Quantity
Aluminum Railing, Type L	Foot	61

R-20 1-27-12 (7'-0\"/>

COMPANY NAME: Kevin M. Arff
 PROJECT CONTACT: City of Rockford
 CLIENT: 2/18/2014 12:26:13 PM
 DATE PLOTTED: 86120054-Roadway
 FILE NAME: pdf201-1171.dwg
 PLOT DRIVER: pdf201-1171.dwg
 PEN TABLE: Struct.tbl



USER NAME = whoad	DESIGNED - KMA	REVISED -
PLLOT SCALE =	CHECKED - RGD	REVISED -
PLLOT DATE = 2/18/2014	DRAWN - WJH	REVISED -
	CHECKED - 2/18/14	REVISED -

STATE OF ILLINOIS
 DEPARTMENT OF TRANSPORTATION

BRIDGE RAILING DETAILS
 STRUCTURE NO. 101-6148
 SHEET NO. 5-12 OF 5-19 SHEETS

F.A. RTE.	SECTION	COUNTY	TOTAL SHEETS	SHEET NO.
3259	11-00590-00-BR	WINNEBAGO	32	22
				CONTRACT NO. 85607
ILLINOIS FED. AID PROJECT				