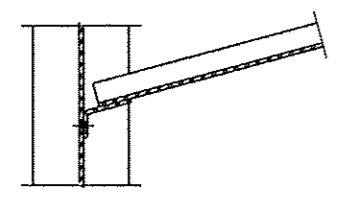
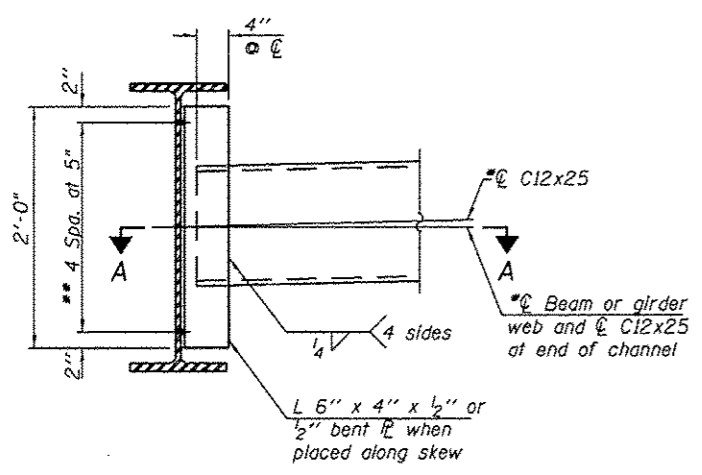


TYPICAL BEAM ELEVATION

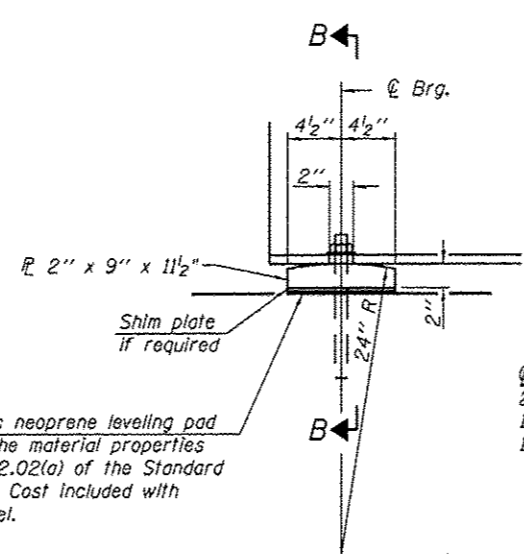


SECTION A-A



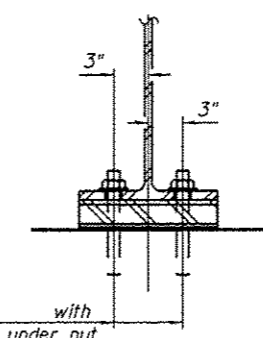
INTERIOR DIAPHRAGM D

Note:
Two hardened washers required for each set of oversized holes.
*Alternate channels C12x30 are permitted to facilitate material acquisition. Calculated weight of structural steel is based on the lighter section. The alternate, if utilized, shall be provided at no additional cost to the Department.
**3/4" φ HS bolts. 1 5/16" φ holes

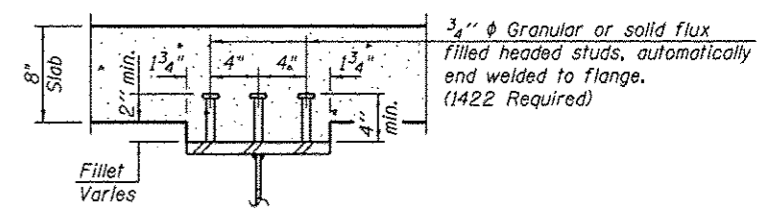


ELEVATION AT ABUTMENT

FIXED BEARING



SECTION B-B



SECTION C-C

BILL OF MATERIAL

Item	Unit	Quantity
Furnishing & Erecting Structural Steel	L. Sum	1
Stud Shear Connectors	Each	1,422

Notes:
1. Load carrying components designated "NTR" shall conform to the Impact Testing Requirement, Zone 2.
2. Two 1/8 in. adjusting shims shall be provided for each bearing in addition to all other plates or shims and placed as shown on bearing details.

COMPANY NAME: Kevin W. Krft
PROJECT CONTACT: City of Rockford
CLIENT: City of Rockford
DATE PLOTTED: 2/18/2014 12:56:18 PM
FILE NAME: 06120054-Brom-Beam.dwg
PLOT DRIVER: pdf...
PEN TABLE: Struct...
HRGreen

	USER NAME = whoad DESIGNED - KMA CHECKED - RGD DRAWN - WJH PLOT DATE = 2/18/2014	REVISED - REVISED - REVISED - REVISED -	STATE OF ILLINOIS DEPARTMENT OF TRANSPORTATION	STEEL BEAM ELEVATION & DETAILS STRUCTURE NO. 101-6148	F.A. RTE. 3259	SECTION 11-00590-00-BR	COUNTY WINNEBAGO	TOTAL SHEETS 32	SHEET NO. 24
	SHEET NO. 5-14 OF 5-19 SHEETS				CONTRACT NO. 05607 ILLINOIS FED. AID PROJECT				