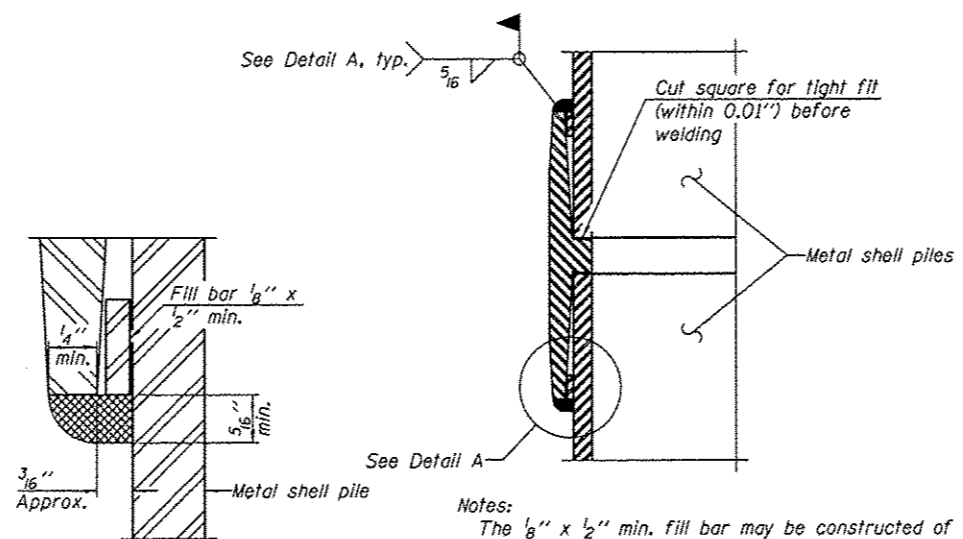


**METAL SHELL PILE TABLE**

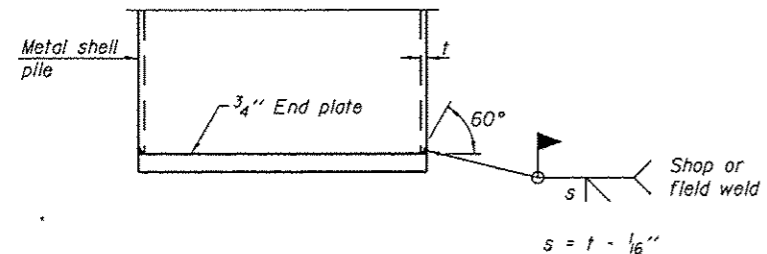
Designation and outside diameter	Wall thickness t	Weight per foot (Lbs./ft.)	Inside volume (yd. <sup>3</sup> /ft.)
PP12	0.179"	22.60	0.0274
PP12	0.250"	31.37	0.0267
PP14	0.250"	36.71	0.0368
PP14	0.312"	45.61	0.0361



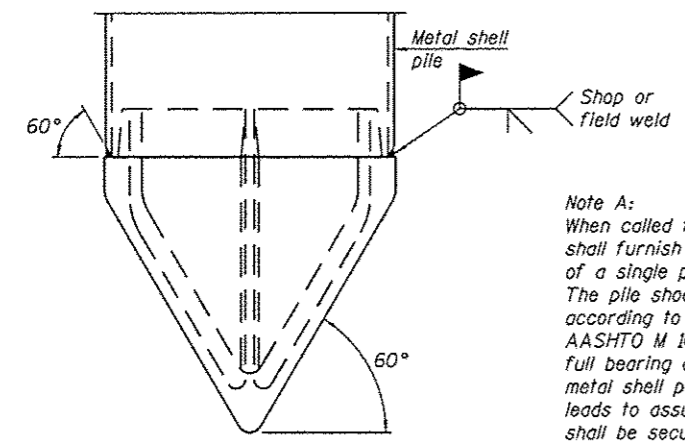
**DETAIL A**

Notes:  
 The 1/8" x 1/2" min. fill bar may be constructed of 2 bars with a 1/8" max. gap between them.  
 Pile segments shall be driven to solid contact with splicer before welding.

**WELDED COMMERCIAL SPLICE**



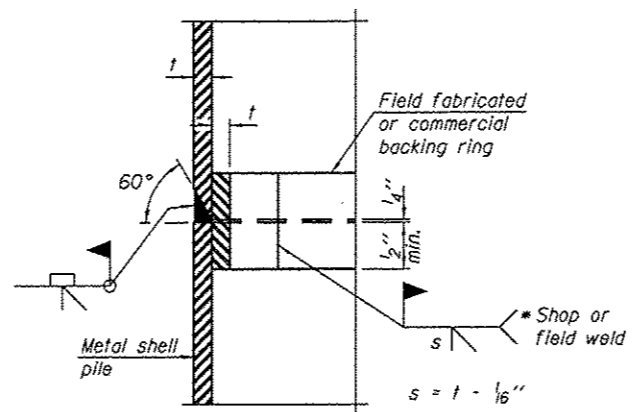
**END PLATE ATTACHMENT**



**METAL SHELL PILE SHOE ATTACHMENT**

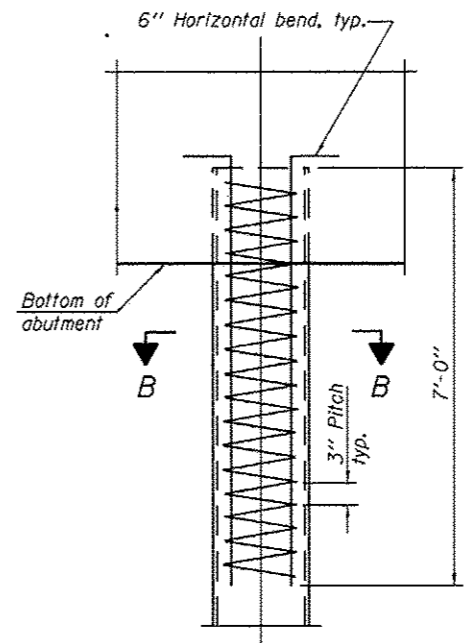
(See Note A)

Note A:  
 When called for on the plans, the Contractor shall furnish metal shell pile shoes consisting of a single piece conical pile point as shown. The pile shoes shall be cast in one piece steel according to either ASTM A 148 Grade 90-60 or AASHTO M 103 Grade 65-35 and shall provide full bearing over the full circumference of the metal shell pile. The pile shoe shall have tapered leads to assure proper alignment and fitting and shall be secured to the pile with a circumferential weld.

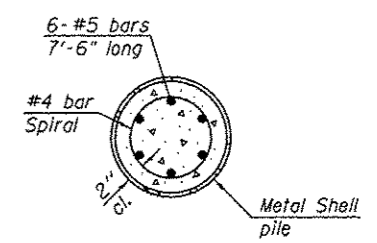


**COMPLETE PENETRATION WELD SPLICE**

\* Field fabricated backing ring may be made from pile shell by removing segment to allow reducing circumference and vertically rejoin with partial joint penetration weld.



**ELEVATION**

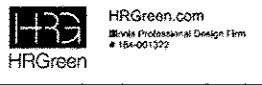


**SECTION B-B**

**METAL SHELL REINFORCEMENT AT ABUTMENTS**

Note:  
 The metal shell piles shall be according to ASTM A 252 Grade 3.

COMPANY NAME: Kevin H. Arft  
 PROJECT CONTACT: City of Rockford  
 CLIENT: 2/18/2014 11:56:24 PM  
 DATE PLOTTED: 8/12/2014 11:56:24 PM  
 FILE NAME: 88120054-PP14.dgn  
 PLOT DRIVER: pdf\_PLOT-111.dpt  
 PEN TABLE: Struct.tbl



USER NAME = whood	DESIGNED - KMA	REVISED -
CHECKED - RGD	REVISIONS -	
PLOT SCALE =	DRAWN - W.J.H.	REVISED -
PLOT DATE = 2/18/2014	CHECKED - 2/18/14	REVISED -

STATE OF ILLINOIS  
 DEPARTMENT OF TRANSPORTATION

METAL SHELL PILE DETAILS  
 STRUCTURE NO. 101-6148

SHEET NO. 5-17 OF 5-19 SHEETS

F.A. RTE.	SECTION	COUNTY	TOTAL SHEETS	SHEET NO.
3259	11-00590-00-BR	WINNEBAGO	32	27
CONTRACT NO. 85607				
ILLINOIS FED. AID PROJECT				