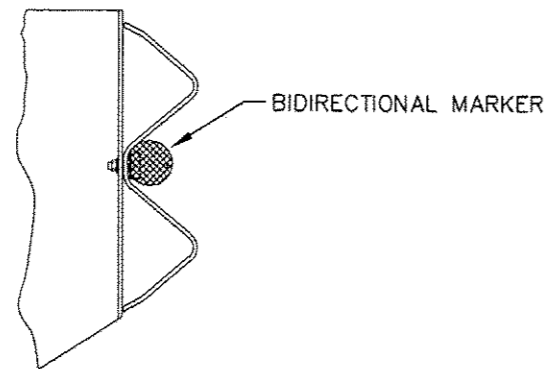
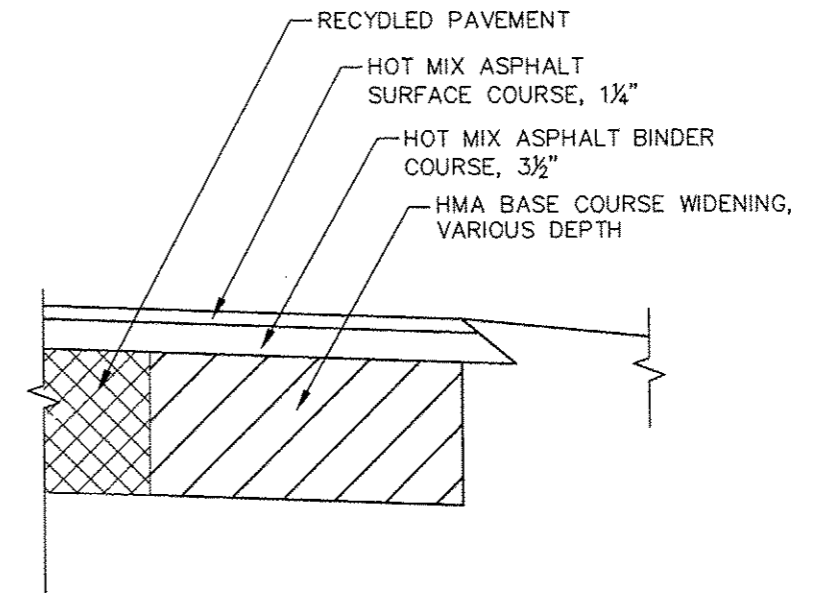


COUNTY	SECTION	HWY.NO.	SHEET NO.
LASALLE	15-00326-00-WR	29	14 of 16

Contract # 87566

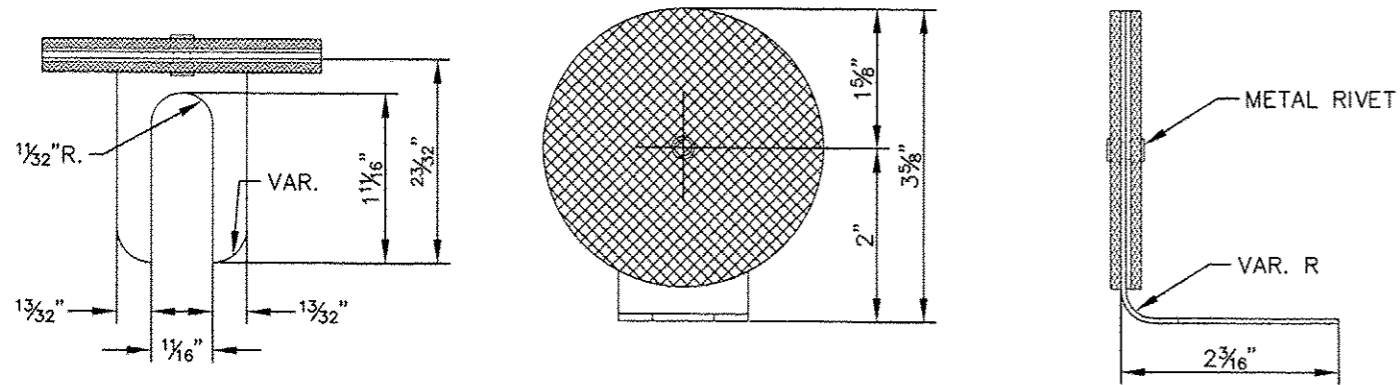


TYPICAL MOUNTING WITH REFLECTOR



WIDENING DETAIL

SEE SCHEDULE SHEET FOR LOCATIONS AND QUANTITIES



BIDIRECTIONAL MARKER