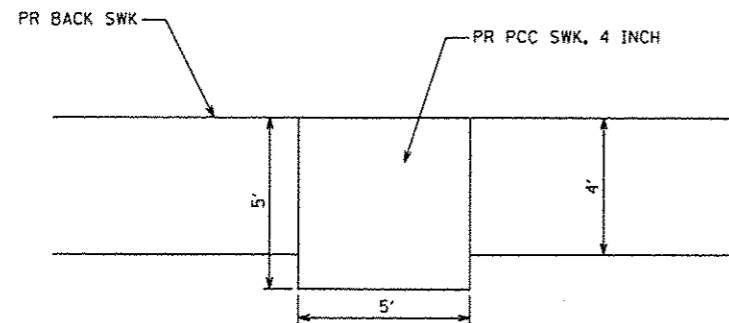
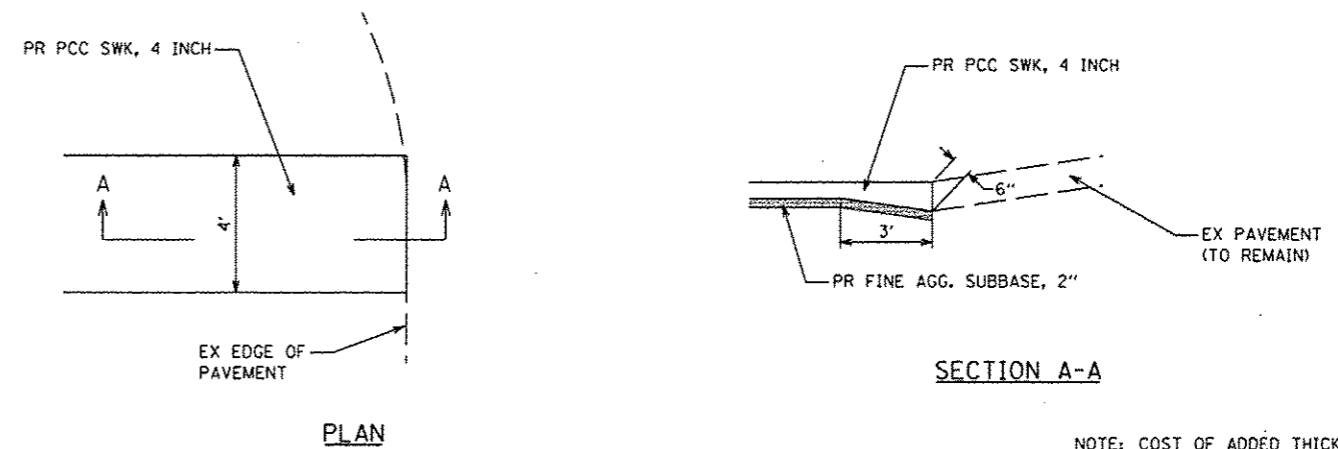


PROPOSED PCC SIDEWALK TRANSITION DETAIL ACROSS DRIVES
NOT TO SCALE

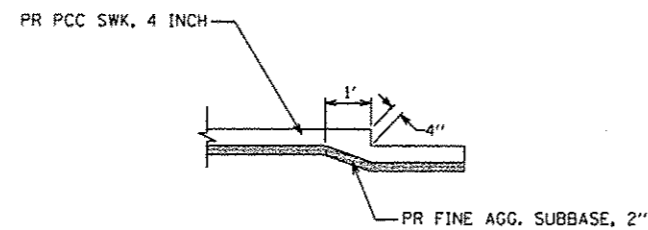


PROPOSED PCC SIDEWALK PASSING SPACE DETAIL
NOT TO SCALE

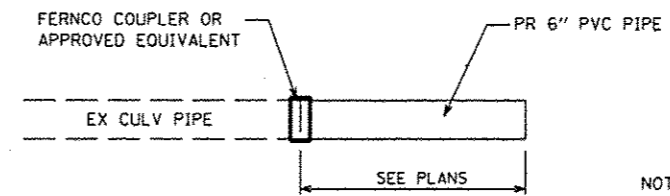


PROPOSED PCC SIDEWALK END ABUTTING EXISTING ROADWAY DETAIL
NOT TO SCALE

NOTE: COST OF ADDED THICKNESS OF SWK AT EDGE OF EX PAVEMENT SHALL BE INCLUDED IN THE COST OF PORTLAND CEMENT CONCRETE SIDEWALK, 4 INCH



PROPOSED PCC SIDEWALK WITH STEP DETAIL
NOT TO SCALE



PIPE CULVERT EXTENSION DETAIL
NOT TO SCALE

NOTE: PIPE CULVERT EXTENSION SHALL BE PAID FOR AS PIPE CULVERT, CLASS D, TYPE 1 6". COST OF CONNECTION SHALL BE INCLUDED IN COST OF CULVERT PIPE

FILE NAME *	USER NAME * #USER*	DESIGNED -	REVISED -	VILLAGE OF DIVERNON SAFE ROUTES TO SCHOOLS PROGRAM	CONSTRUCTION DETAILS		F.A. RTE.	SECTION	COUNTY	TOTAL SHEETS	SHEET NO.
#FILE#		DRAWN - MCM	REVISED -					12-00005-00-SW	SANGAMON	35	21
	PLOT SCALE * #SCALE*	CHECKED - WJS	REVISED -		SCALE: NTS	SHEET NO. 1 OF 1 SHEETS	STA.	TO STA.	CONTRACT NO. *		
	PLOT DATE * #DATE*	DATE - 11/2013	REVISED -						FED. ROAD DIST. NO. ILLINOIS FED. AID PROJECT SRTS-AD09(77)		