

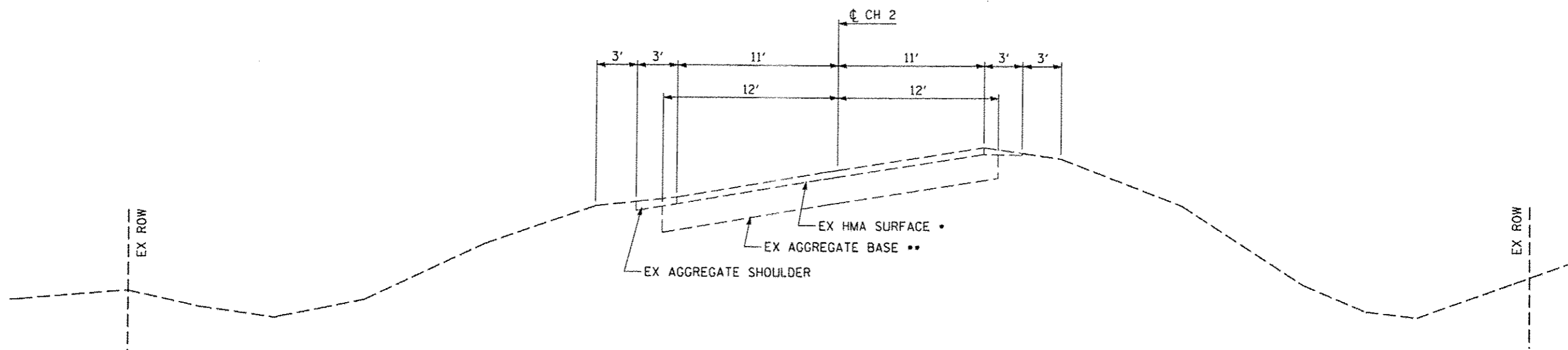
EXISTING CH 2 TYPICAL CROSS SECTION

STA 116+18.81 TO STA 130+00.00
 STA 116+18.81 TO STA 118+16.81 (ATTAIN SE)
 STA 127+86.81 TO STA 129+84.81 (REMOVE SE)

BRIDGE OMISSION

STA 111+68.19 TO STA 116+67.19

- EX HMA SURFACE VARIES FROM 3" MIN. TO 5" MAX.
- EX BASE COURSE VARIES FROM 8" MIN. TO 10" MAX.



EXISTING CH 2 TYPICAL CROSS SECTION

STA 100+26.81 TO STA 114+11.31
 STA 100+26.81 TO STA 102+24.81 (ATTAIN SE)
 STA 112+13.31 TO STA 114+11.31 (REMOVE SE)

* 93614



JOB - 2298
 FILE NAME - 2298.tpd.dgn
 PLOT SCALE - 8.0000" / 1"
 PLOT DATE - 10/31/2013

DESIGNED - NAK
 DRAWN - SJS
 CHECKED - NAK
 DATE - 8/16/2012

REVISED -
 REVISED -
 REVISED -
 REVISED -

**LOGAN COUNTY
 CH 2 IMPROVEMENTS**

TYPICAL CROSS SECTIONS

SCALE: SHEET NO. OF SHEETS STA. TO STA.

RTE.	SECTION	COUNTY	TOTAL SHEETS	SHEET NO.
CH 2	11-00311-02-RS	LOGAN	37	8
CONTRACT NO. *				

FED. ROAD DIST. NO. ILLINOIS FED. AID PROJECT