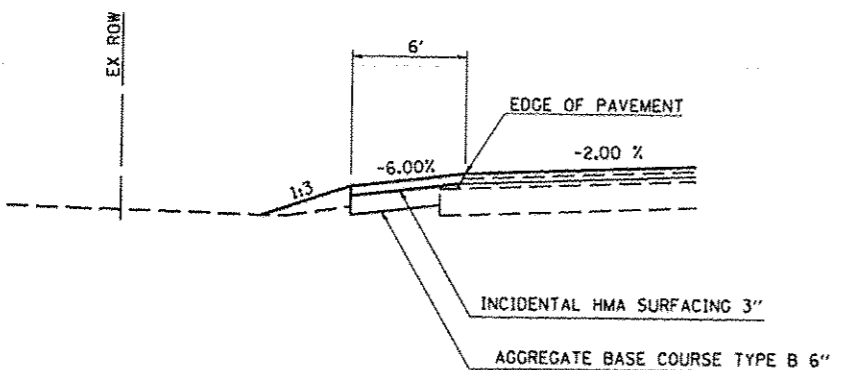
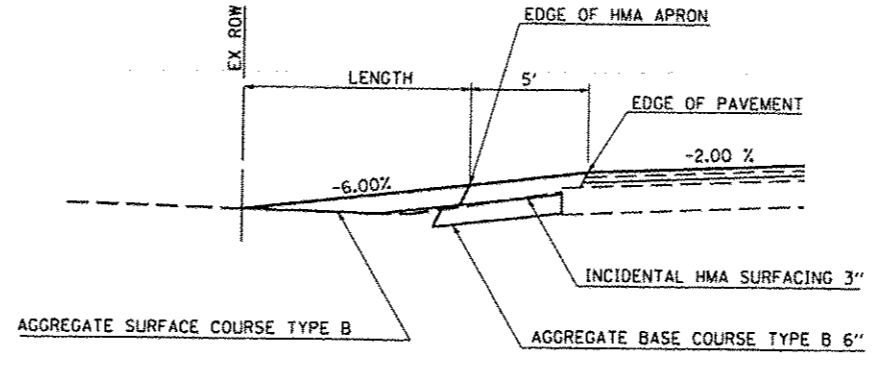


**PLAN - PE WITH MAILBOX TURNOUT  
WITH AGGREGATE SHOULDER**



**SECTION A-A**



**SECTION B-B**

\* 93614

**CEC** Cummins  
Engineering  
Corporation  
Civil and Structural Engineering

JOB # 2298  
FILE NAME : 2298ans.dgn  
PLOT SCALE : 8.0000' / 1"  
PLOT DATE : 1/24/2014

DESIGNED - NAK  
DRAWN - SJS  
CHECKED - NAK  
DATE - 7/18/2012

REVISED -  
REVISED -  
REVISED -  
REVISED -

**LOGAN COUNTY  
CH 2 IMPROVEMENTS**

**ENTRANCE AND SIDE ROAD DETAILS**

SCALE: SHEET NO. OF SHEETS STA. TO STA.

RTE.	SECTION	COUNTY	TOTAL SHEETS	SHEET NO.
CH 2	11-00311-02-RS	LOGAN	37	34
CONTRACT NO. *				

FED. ROAD DIST. NO. ILLINOIS FED. AID PROJECT