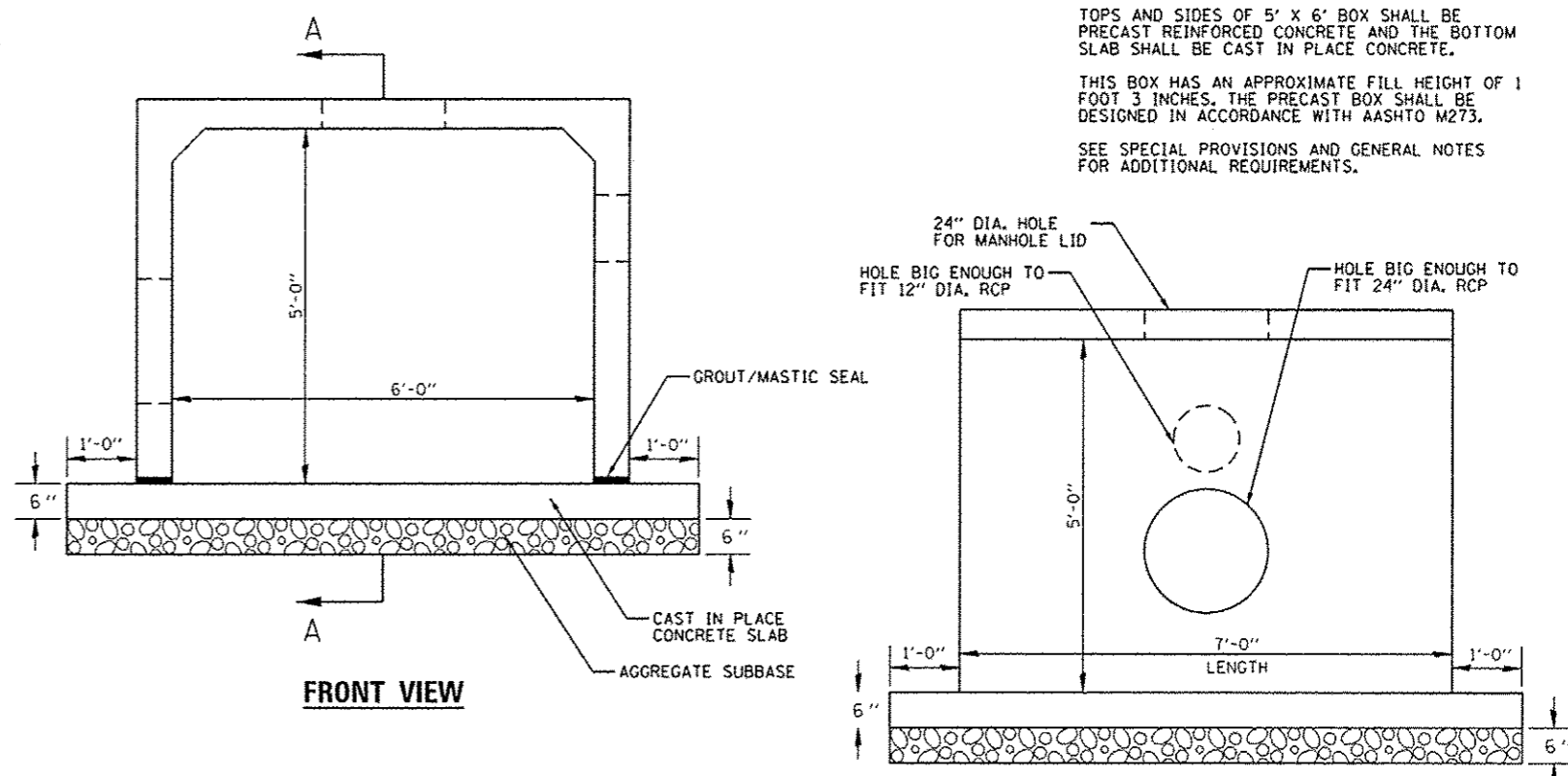
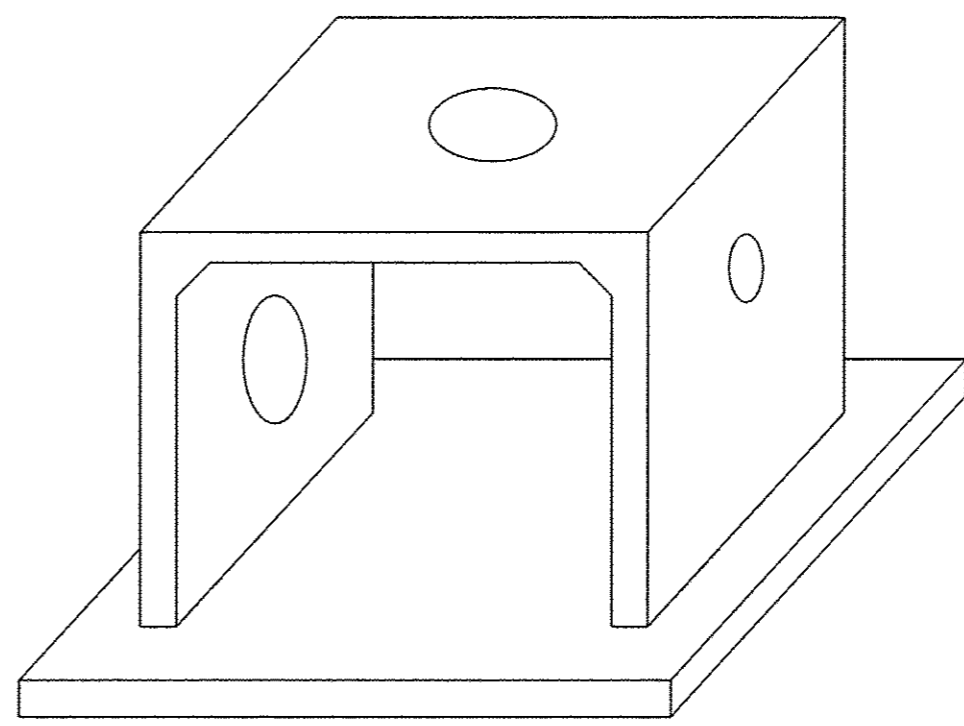


BOX CULVERT END SECTION, CULVERT NO. 1 DETAIL



NOTE:
 TOPS AND SIDES OF 5' X 6' BOX SHALL BE PRECAST REINFORCED CONCRETE AND THE BOTTOM SLAB SHALL BE CAST IN PLACE CONCRETE.
 THIS BOX HAS AN APPROXIMATE FILL HEIGHT OF 1 FOOT 3 INCHES. THE PRECAST BOX SHALL BE DESIGNED IN ACCORDANCE WITH AASHTO M273.
 SEE SPECIAL PROVISIONS AND GENERAL NOTES FOR ADDITIONAL REQUIREMENTS.



JUNCTION BOX (SPECIAL) DETAIL

FILE NAME : 100379A-dtl-boxculvert.2.dgn	USER NAME : kostermiller	DESIGNED - KMO	REVISED -
		DRAWN - KMO	REVISED -
	PLOT SCALE = 7.5000 1 / in.	CHECKED -	REVISED -
	PLOT DATE = 1/16/2014	DATE -	REVISED -

STATE OF ILLINOIS
 DEPARTMENT OF TRANSPORTATION

MISCELLANEOUS DETAILS
 SCALE: NTS SHEET NO. 2 OF 2 SHEETS STA. TO STA.

F.A. RTE.	SECTION	COUNTY	TOTAL SHEETS	SHEET NO.
	10-00036-00-SW	RANDOLPH	52	25
				CONTRACT NO. #97517
ILLINOIS FED. AID PROJECT				