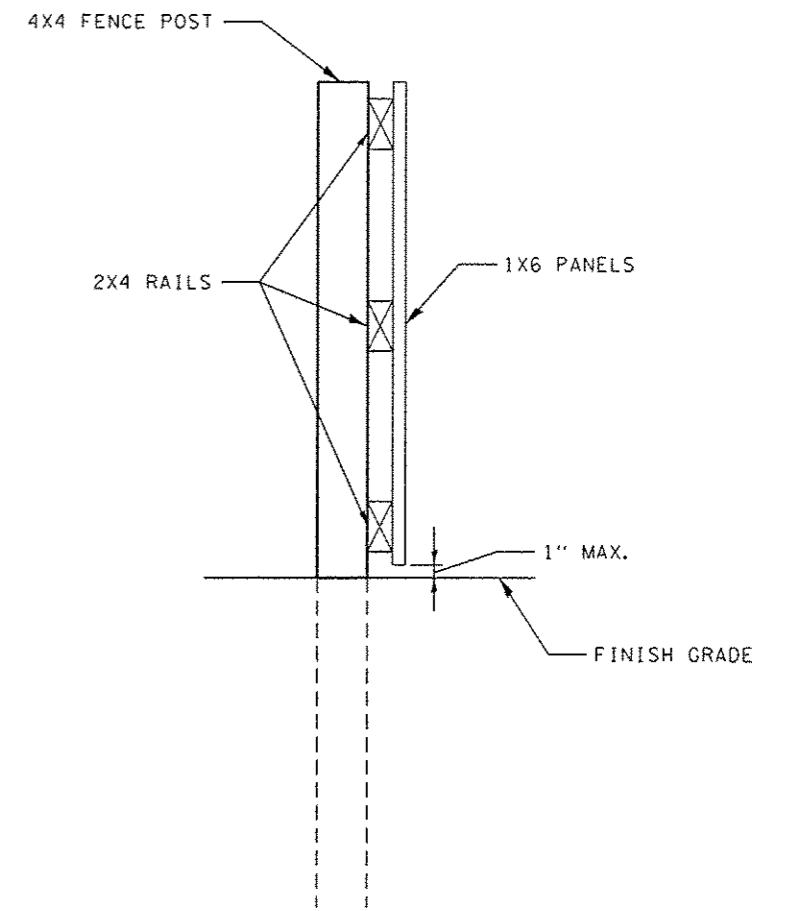


ELEVATION

* NOTE:
 VERTICALS TO BE CUT TO FIT
 EXISTING GROUND LINE AND
 PROVIDE A FLUSH/LEVEL TOP OF
 FENCE SURFACE.



SECTION A-A

GENERAL NOTES:

1. CONTRACTOR SHALL COORDINATE FENCE (SPECIAL) LAYOUT WITH ENGINEER PRIOR TO INSTALLATION.
2. ALL LUMBER SHALL BE PRESSURE TREATED NO. 1 SOUTHERN PINE.
3. ATTACH RAILS WITH 3 #10 X 3" SCREWS AT EACH POST.
4. ATTACH PANELS WITH 2 #10 X 2" SCREWS AT EACH RAIL.

FILE NAME : 100379A-dtl-woodenfence.dgn	USER NAME : koster-miller	DESIGNED - KMO	REVISED -	STATE OF ILLINOIS DEPARTMENT OF TRANSPORTATION	FENCE (SPECIAL) DETAILS			F.A. RTE.	SECTION	COUNTY	TOTAL SHEETS	SHEET NO.
	PLOT SCALE : 10.0000' / 1"	DRAWN - KMO	REVISED -					10-00036-00-SW	RANDOLPH	52	27	
	PLOT DATE : 1/10/2014	CHECKED -	REVISED -		SCALE: SHEET NO. 1 OF 1 SHEETS STA. TO STA.			CONTRACT NO. #97517				
		DATE -	REVISED -					ILLINOIS FED. AID PROJECT				