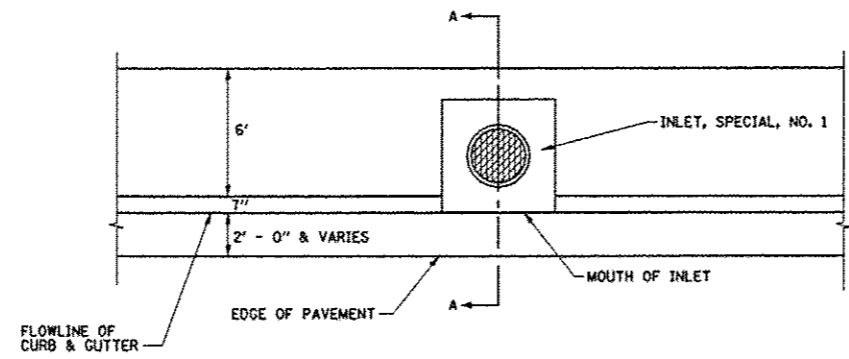
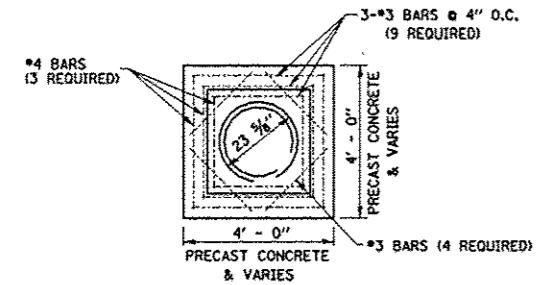


NOTES:
REINFORCING BARS USED IN THE INLET SHALL BE #4 BARS @ 10" O.C. BOTH WAYS.

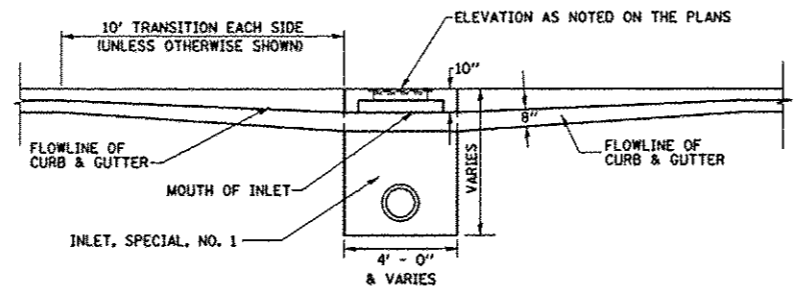
SECTION A-A
N.T.S.



PLAN
N.T.S.



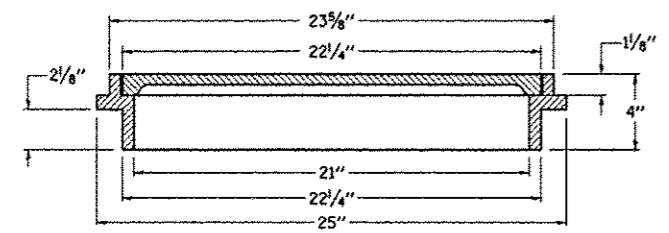
CONCRETE LID PLAN
N.T.S.



FRONT ELEVATION
N.T.S.

INLET TYPE	INSIDE WIDTH	LID TYPE
INLETS, SPECIAL, NO. 1	3 X 3	NORMAL

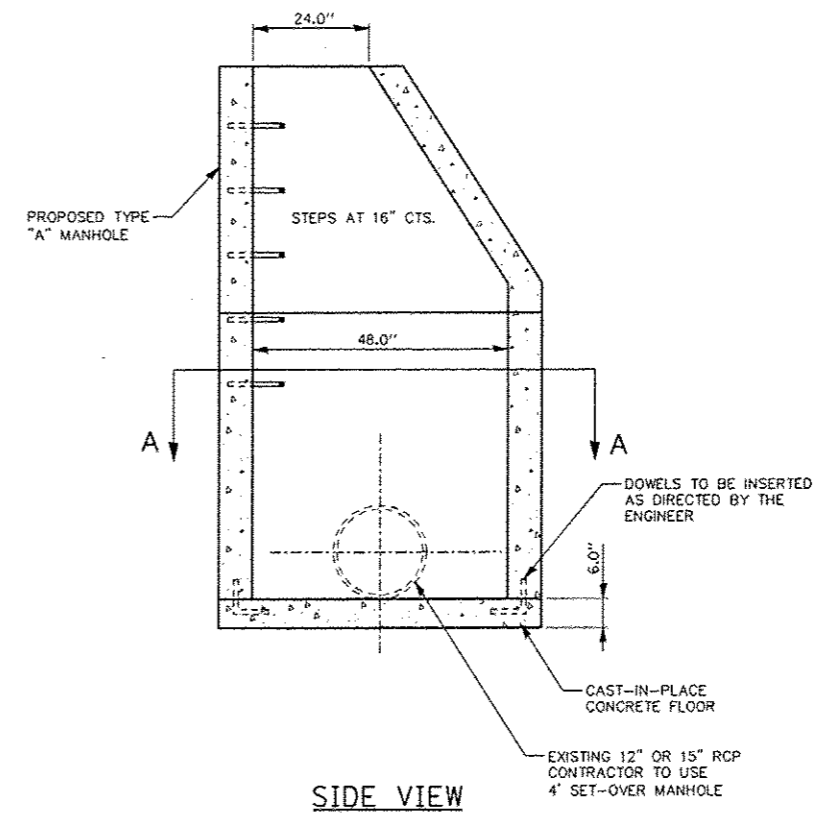
INLET WALL	
TYPE	THICKNESS
PRECAST CONCRETE	6"
CAST-IN-PLACE CONCRETE	6"



LIGHT DUTY RING AND COVER
N.T.S.

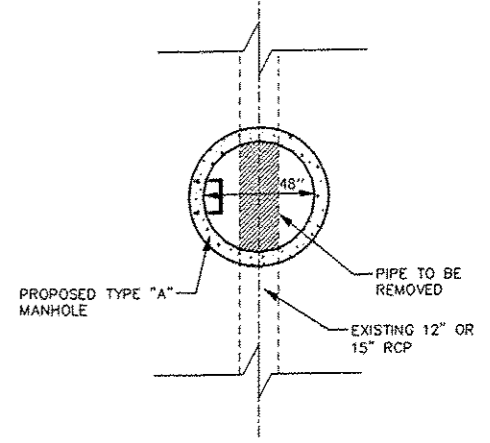
INLETS, SPECIAL, NO. 1
N.T.S.

NOTES:
REINFORCING BARS, CLASS "PC" CONCRETE, CAST IRON RING AND COVER, AND ALL MATERIAL AND LABOR SHALL BE INCLUDED IN THE UNIT PRICE BID FOR "INLET, SPECIAL" COMPLETE AND IN PLACE.
THE TOPS OF ALL INLETS WHICH ARE LOCATED IN CURVES SHALL BE CONSTRUCTED TO CONFORM TO THE RADIUS OF THE CURVE.
THE INLET SHALL BE A CATCH BASIN W/FLAT LID OR SIMILAR BASED ON STRUCTURE SIZE.
THE INLET LID AS WELL AS THE RING AND COVER USED SHALL BE ACCORDING TO THE DETAILS AS SHOWN IN THE PLANS.
DETAILS FOR THE INLET, SPECIAL AS SHOWN ABOVE ARE BASED UPON INSIDE DIMENSIONS OF 3'X3'. ALL OTHER SIZES NOTED IN THE PLANS REFER TO INSIDE DIMENSIONS.

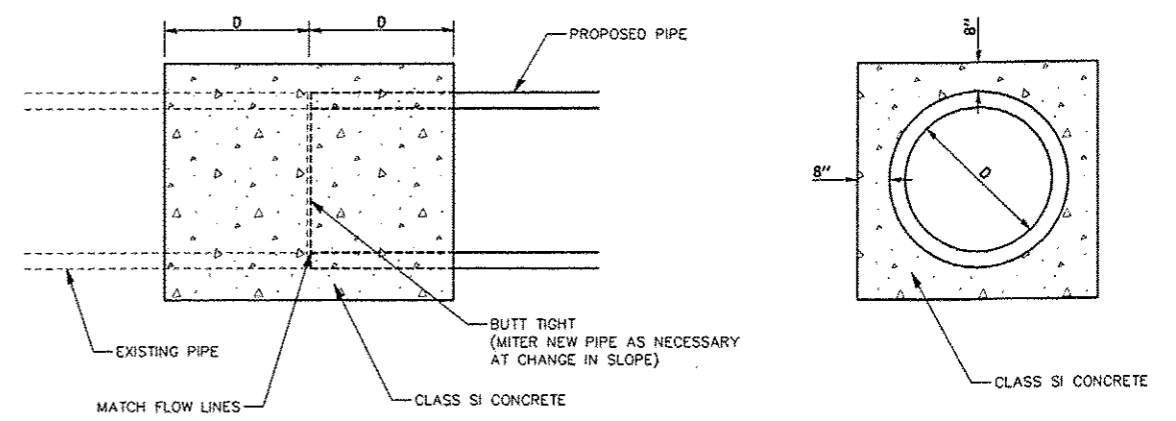


SIDE VIEW

MANHOLE, TYPE A, 4' SET OVER
N.T.S.



SECTION A-A



CONCRETE COLLAR DETAIL
N.T.S.