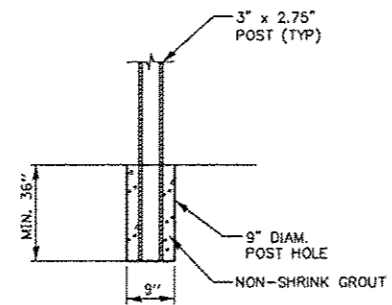
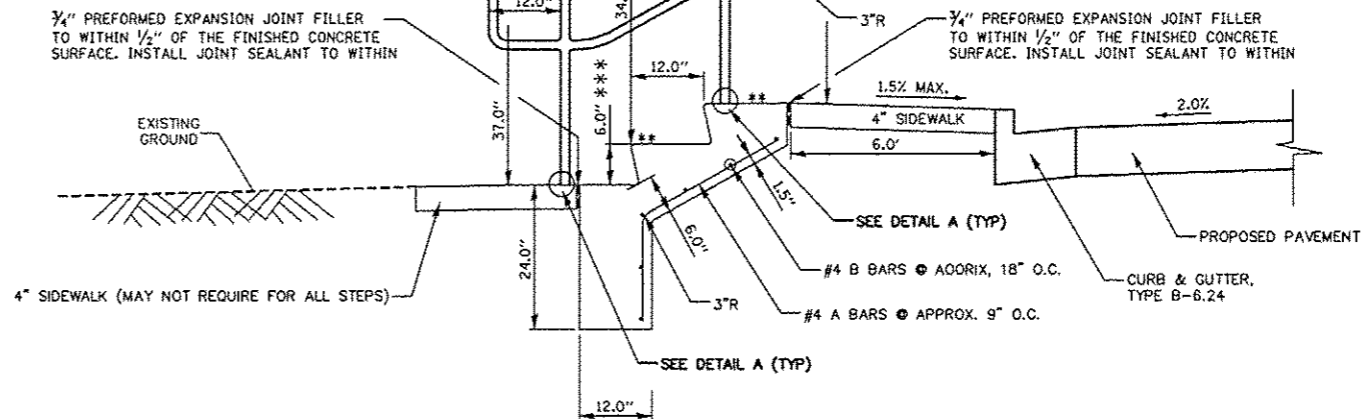


ORNAMENTAL METAL FENCE
N.T.S



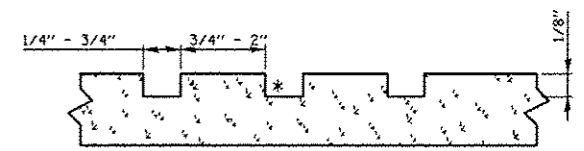
DETAIL B
N.T.S

- NOTES:
 1) GRIND WELD JOINT SMOOTH
 2) HOT DIP GALV. AFTER FABRICATION
 3) PIPE TO FOLLOW ALIGNMENT SHOWN ON PLANS.
 4) PROVIDE SHOP DRAWINGS.
 5) SEE DETAIL A FOR POST EMBEDMENT.



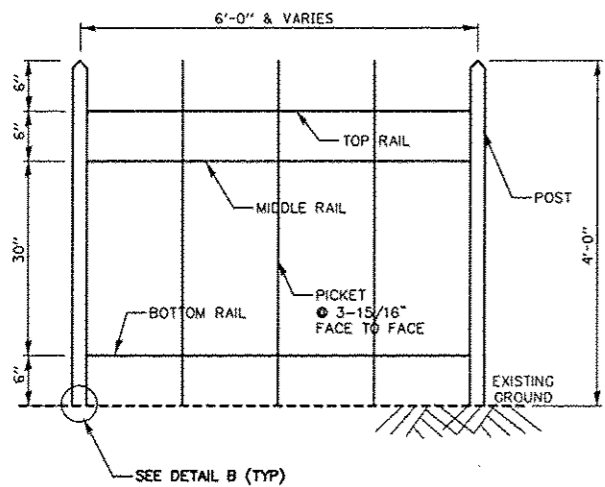
- ** SEE TREAD GROOVE AND NOSING DETAILS
 *** RISER MAY VARY FROM 6.0" TO 6.75" BASED ON PROFILE
 STEP AT STA. 103+03.26 - 6.75" RISER
 STEP AT STA. 103+46.11 - 6.0" RISER
 STEP AT STA. 103+62.23 - 6.0" RISER

CONCRETE STEPS & HANDRAIL TYPICAL
N.T.S

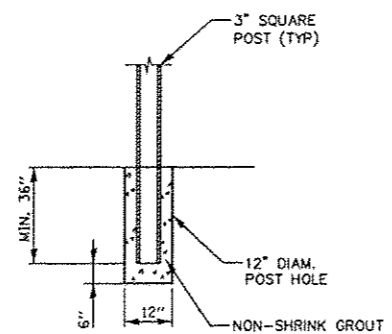


* GROOVES IN SURFACE CAN BE PARALLEL OR DIAMOND MESH PATTERN

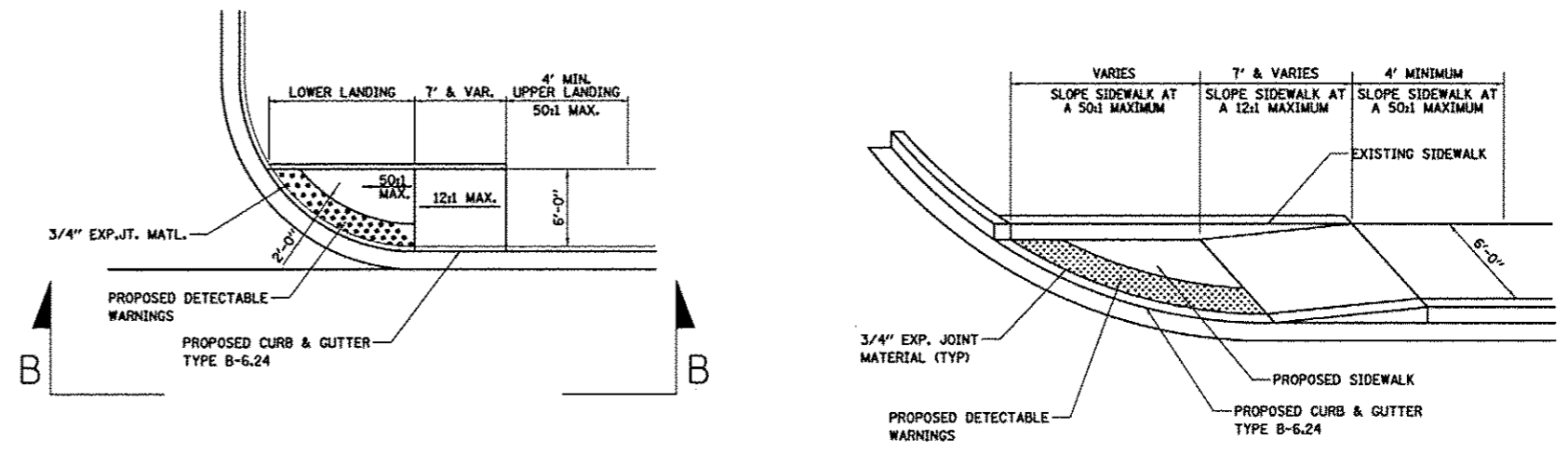
GROOVE DETAIL FOR STEPS
N.T.S



ORNAMENTAL FENCE
N.T.S



DETAIL B
N.T.S



PERPENDICULAR CURB RAMP DETAIL FOR SIDEWALK ADJACENT TO BACK OF CURB
N.T.S.

SECTION B-B
N.T.S.

FILE NAME = misc.details2.dgn	USER NAME = ramash	DESIGNED - BFK	REVISED -
	PLOT SCALE = #SCALE#	DRAWN - RKR	REVISED -
	PLOT DATE = 1/3/2014	CHECKED - BFK	REVISED -
		DATE - 12/20/13	REVISED -

**CITY OF MADISON
BISSELL STREET**

MISCELLANEOUS DETAILS

SCALE: N.T.S. SHEET NO. 2 OF 3 SHEETS STA. TO STA.

F.A.U. RTE.	SECTION	COUNTY	TOTAL SHEETS	SHEET NO.
9104	10-00058-00-PV	MADISON	53	45
CONTRACT NO. 97530				
ILLINOIS FED. AID PROJECT				