

THOUVENOT, WADE & MOERCHEN, INC.
ENGINEERS ♦ SURVEYORS ♦ PLANNERS



- CORPORATE OFFICE**
 4940 OLD COLLINSVILLE RD.
 SWANSEA, ILLINOIS 62226
 TEL (618) 824-4488
 FAX (618) 624-6688
 corp@twm-inc.com
- WATERLOO OFFICE**
 113 SOUTH MAIN STREET
 WATERLOO, ILLINOIS 62298
 TEL (618) 939-5050
 FAX (618) 939-3938
 waterloo@twm-inc.com
- EDWARDSVILLE OFFICE**
 10158 CENTURY DRIVE
 EDWARDSVILLE, ILLINOIS 62025
 TEL (618) 656-4040
 FAX (618) 656-4343
 edwardsville@twm-inc.com
- ST. CHARLES OFFICE**
 400 N. 5TH STREET, SUITE 101
 ST. CHARLES, MISSOURI 63301
 TEL (636) 724-8300
 FAX (636) 724-8304
 etlouis@twm-inc.com

PROFESSIONAL REGISTRATIONS	LICENSE NO.
ILLINOIS PROFESSIONAL DESIGN FIRM	104-001220
PROFESSIONAL ENGINEERING CORP.	62-033070
PROFESSIONAL STRUCTURAL ENGR. CORP.	81-005202
ILLINOIS PROF. LAND SURVEYING CORP.	048-00028
MISSOURI PROFESSIONAL ENGR. CORP.	NC 001528
MISSOURI LAND SURVEYING CORP.	NC 000346

SCALE

Signature: _____
 Expiration Date: _____

STATEMENT OF RESPONSIBILITY
 I hereby confirm that the document herein to be authorized by my seal is restricted to this sheet, and I hereby disclaim any responsibility for all other drawings, specifications, estimates, reports or other documents or instruments relating to or intended to be related for any other part of the architectural, engineering or survey project.

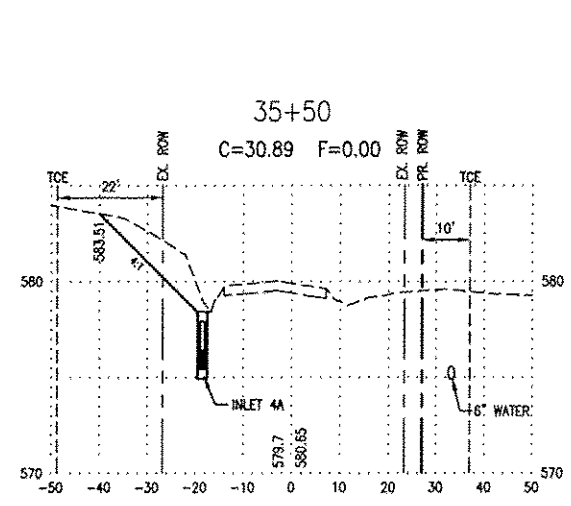
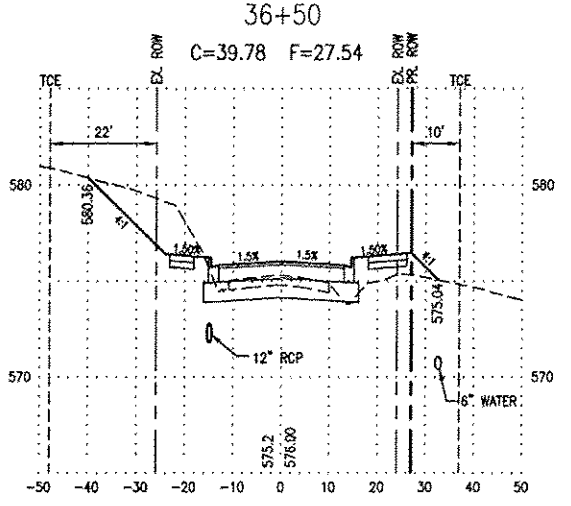
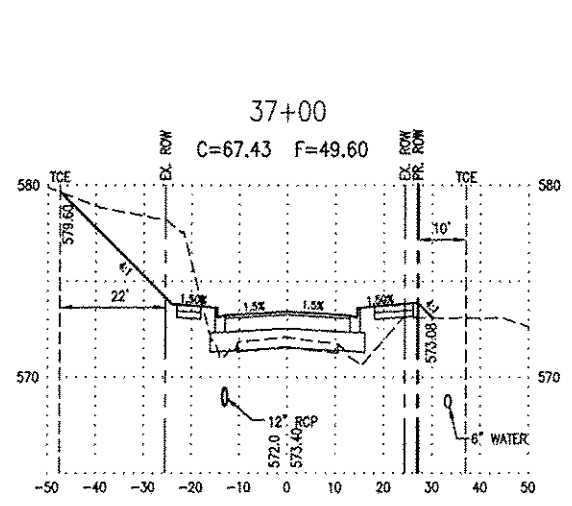
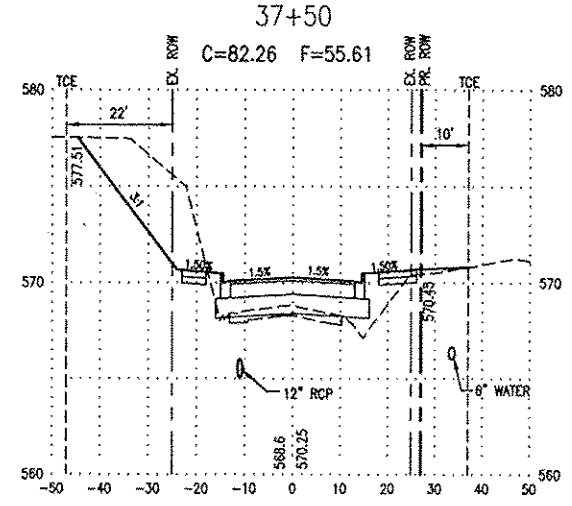
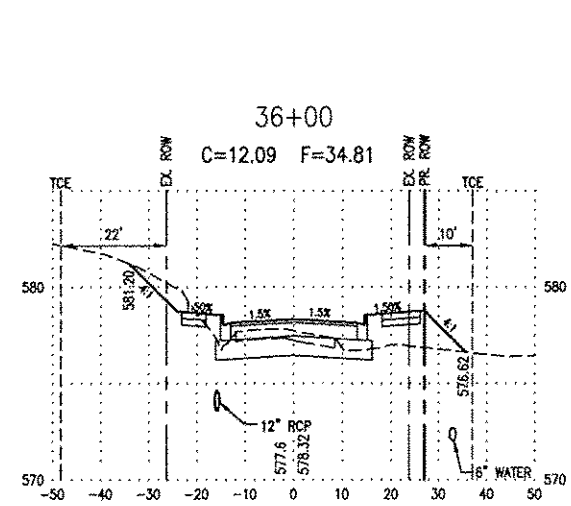
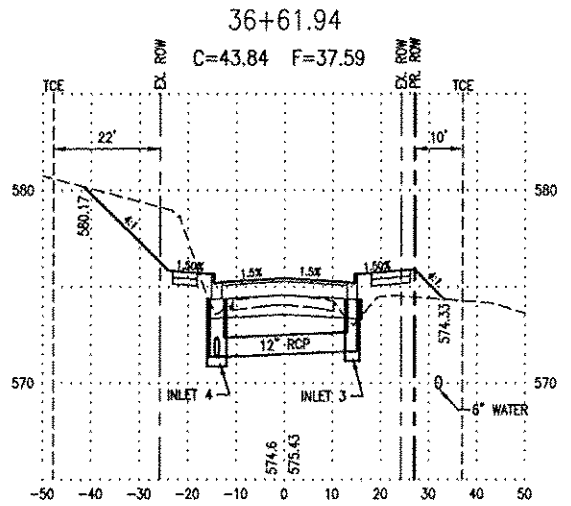
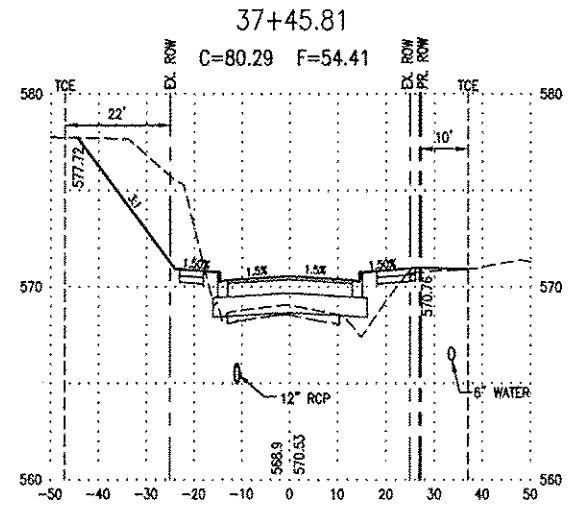
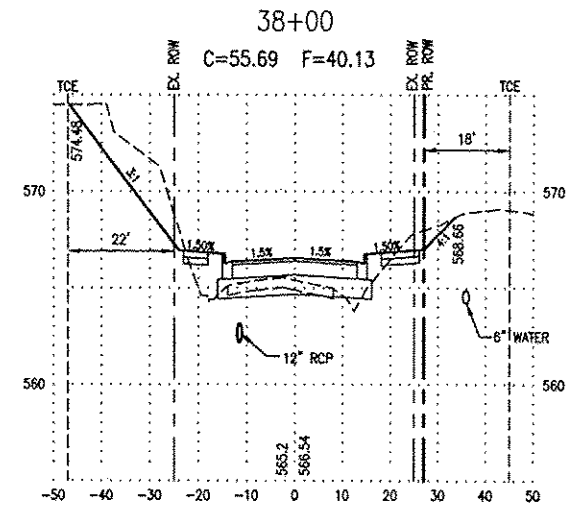
TITLE
 SHILOH STATION ROAD PHASE 3
 CROSS SECTIONS
 12-0001-03-PV

PROJECT:
 SHILOH STATION ROAD
 RECONSTRUCTION
 VILLAGE OF SHILOH
 ST. CLAIR COUNTY, ILLINOIS

REV	DATE	DESCRIPTION
△		
△		
△		

DRAWN BY: NTS	SHEET 19 OF 23 SHEETS
DESIGNED BY: NTS	
CHECKED BY:	PROJECT DESCRIPTION
APPROVED BY:	
PROJECT NUMBER: T01100602	

ISSUED FOR REVIEW ISSUED FOR BIDDING
 ISSUED FOR CONSTR. RECORD DRAWING



SCALE
 1:4 VERTICAL
 1:20 HORIZONTAL

NOTES:
 1. ALL STORM SEWER SHOWN IS PROPOSED
 2. ALL OTHER UTILITIES SHOWN ARE EXISTING