

**THOUVENOT, WADE & MOERCHEN, INC.**  
ENGINEERS ♦ SURVEYORS ♦ PLANNERS



**CORPORATE OFFICE**  
4940 OLD COLLINSVILLE RD.  
SWANSEA, ILLINOIS 62226  
TEL (618) 624-4488  
FAX (618) 624-6688  
corp@twm-inc.com

**WATERLOO OFFICE**  
113 SOUTH MAIN STREET  
WATERLOO, ILLINOIS 62298  
TEL (618) 939-5050  
FAX (618) 939-3938  
waterloo@twm-inc.com

**EDWARDSVILLE OFFICE**  
1015B CENTURY DRIVE  
EDWARDSVILLE, ILLINOIS 62025  
TEL (618) 656-4040  
FAX (618) 656-4343  
edwardsville@twm-inc.com

**ST. CHARLES OFFICE**  
400 N. 5TH STREET, SUITE 101  
ST. CHARLES, MISSOURI 63301  
TEL (636) 724-8300  
FAX (636) 724-8304  
stlouis@twm-inc.com

PROFESSIONAL REGISTRATIONS	LICENSE NO.
ILLINOIS PROFESSIONAL DESIGN FIRM	184-001220
PROFESSIONAL ENGINEERING CORP.	62-033370
PROFESSIONAL STRUCTURAL ENGR. CORP.	81-005202
ILLINOIS PROF. LAND SURVEYING CORP.	040-000028
MISSOURI PROFESSIONAL ENGR. CORP.	NC 001528
MISSOURI LAND SURVEYING CORP.	NC 000346

SEAL

Signature: \_\_\_\_\_  
 Signature Date: \_\_\_\_\_  
 Engineer Date: \_\_\_\_\_

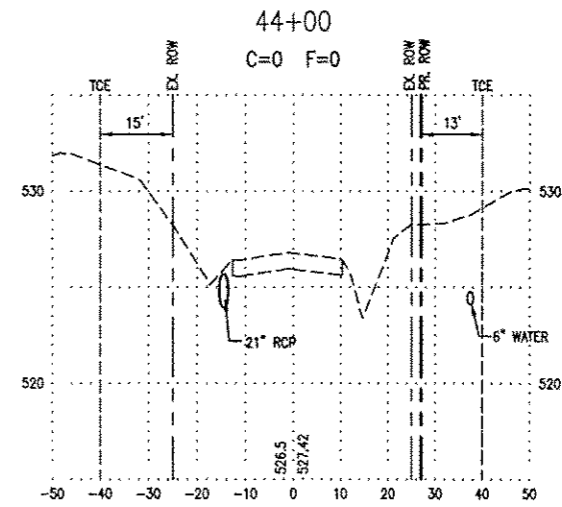
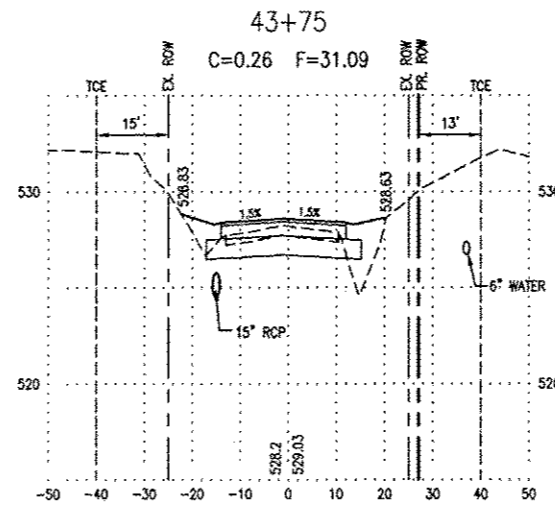
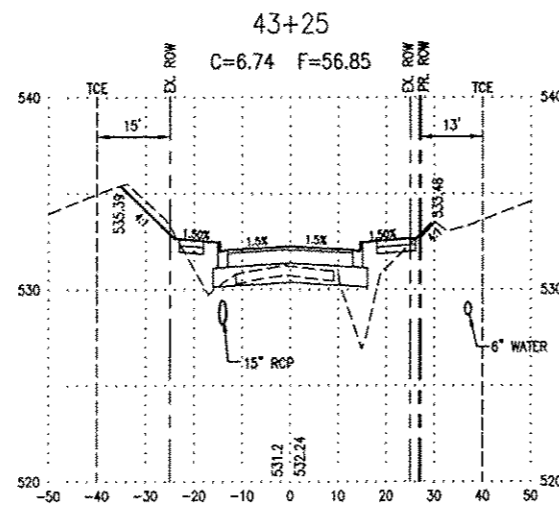
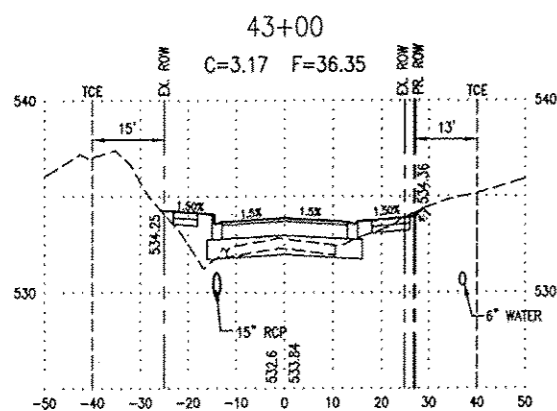
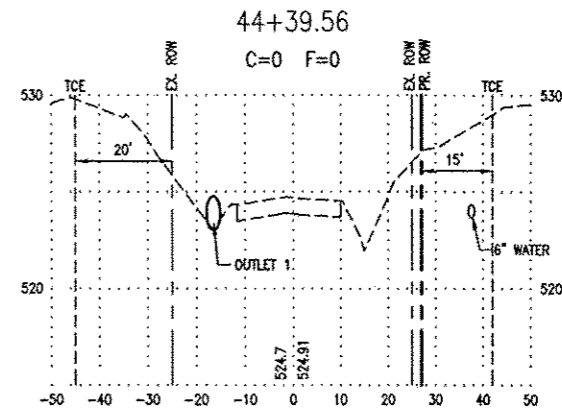
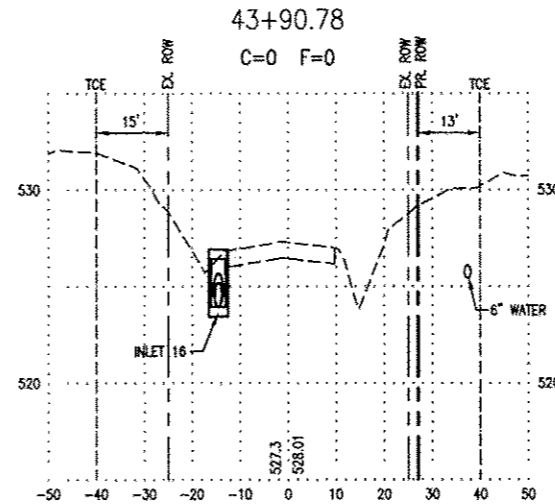
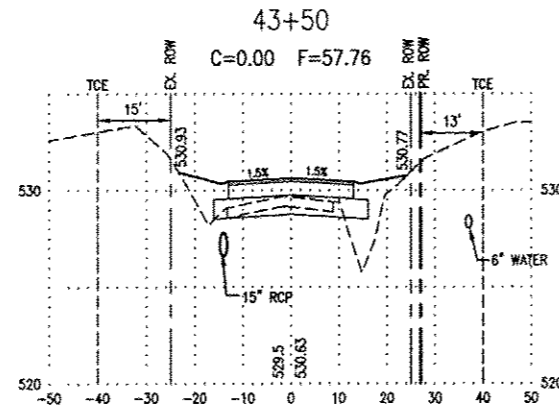
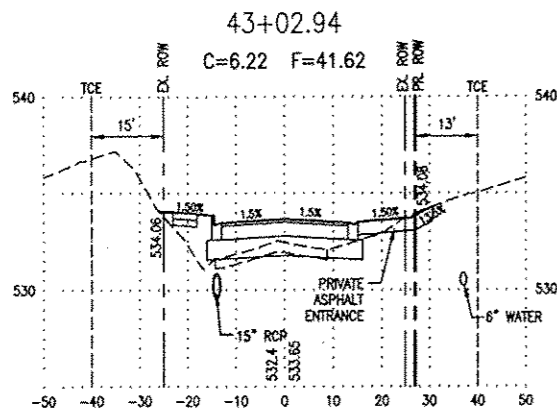
**STATEMENT OF RESPONSIBILITY**  
 I hereby confirm that the document herein to be authorized by my seal is restricted to this sheet, and I hereby disclaim any responsibility for all other drawings, specifications, estimates, reports or other documents or instruments relating to or intended to be utilized for any other part of the architectural, engineering or survey project.

TITLE: **SHILOH STATION ROAD PHASE 3 CROSS SECTIONS 12-00011-03-PV**

PROJECT: **SHILOH STATION ROAD RECONSTRUCTION VILLAGE OF SHILOH ST. CLAIR COUNTY, ILLINOIS**

REV	DATE	DESCRIPTION

DRAWN BY: NTS	SHEET
DESIGNED BY: NTS	<b>22</b>
CHECKED BY:	OF 23 SHEETS
APPROVED BY:	PROJECT DESCRIPTION
PROJECT NUMBER T01100602	
<input type="checkbox"/> ISSUED FOR REVIEW	<input type="checkbox"/> ISSUED FOR BIDDING
<input type="checkbox"/> ISSUED FOR CONSTR.	<input type="checkbox"/> RECORD DRAWING



SCALE  
1" VERTICAL  
1"20 HORIZONTAL

NOTES:  
1. ALL STORM SEWER SHOWN IS PROPOSED  
2. ALL OTHER UTILITIES SHOWN ARE EXISTING