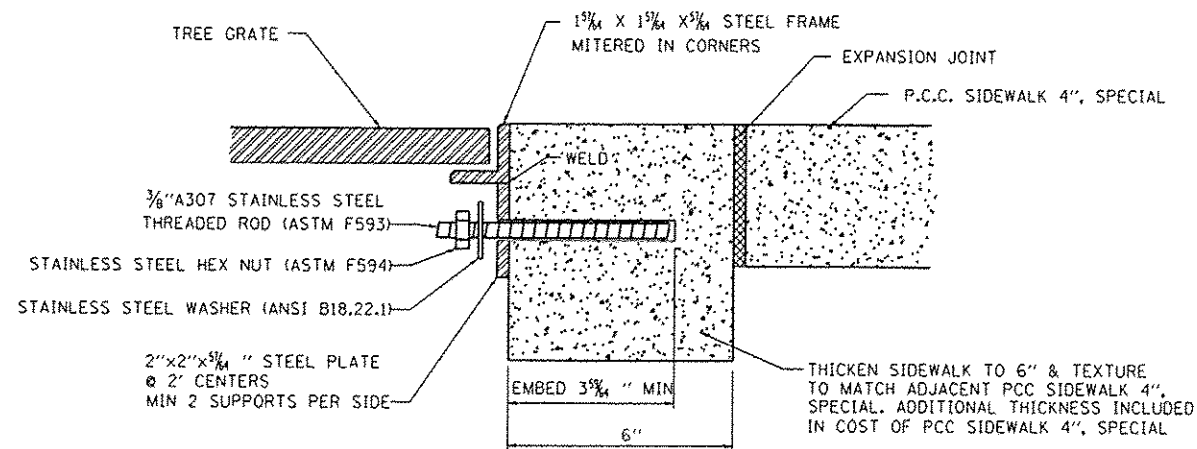


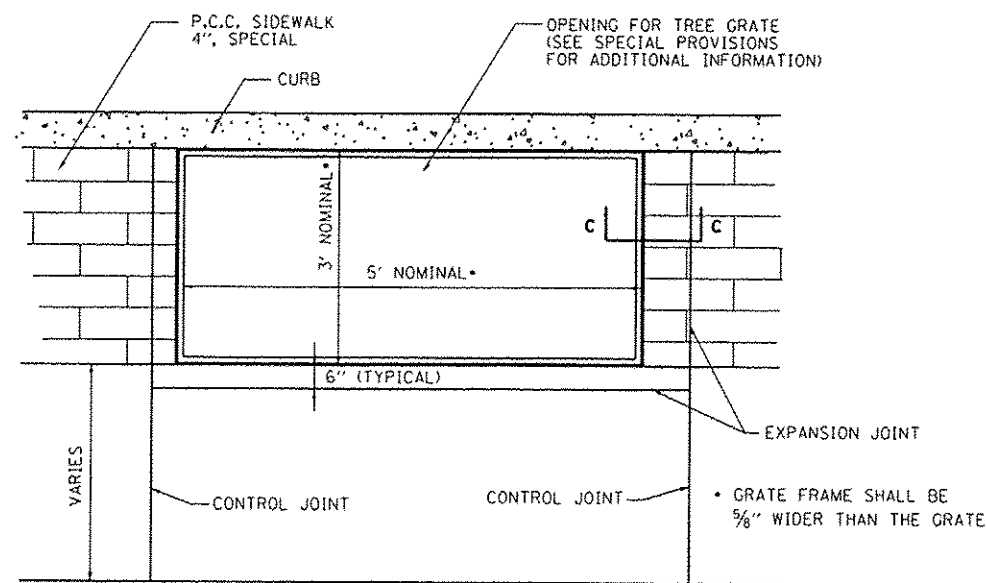
**SECTION C-C
TREE GRATE FRAME DETAIL
OPTION 1
(NOT TO SCALE)**



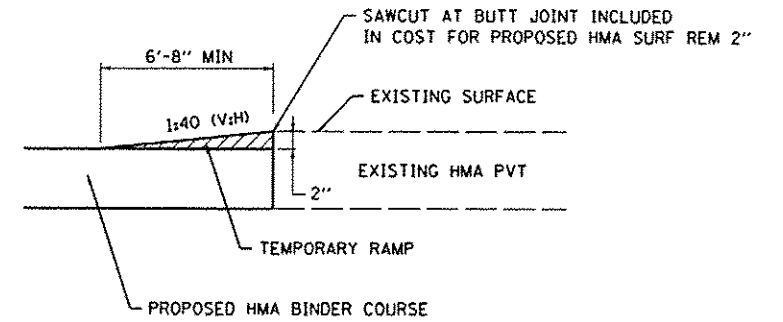
**SECTION C-C
TREE GRATE FRAME DETAIL
OPTION 2
(NOT TO SCALE)**

EMBED STAINLESS STEEL THREADED ROD WITH A CAPSULE OR ADHESIVE CARTRIDGE TYPE EPOXY SYSTEM. THE CONTRACTOR SHALL INSTALL THE RODS IN PRE-DRILLED HOLES ACCORDING TO THE MANUFACTURER'S RECOMMENDATIONS AND PROCEDURES. THE CAPSULE OR THE ADHESIVE CARTRIDGE SHALL BE SEALED WITH PREMEASURED AMOUNTS OF THE ADHESIVE CHEMICAL.

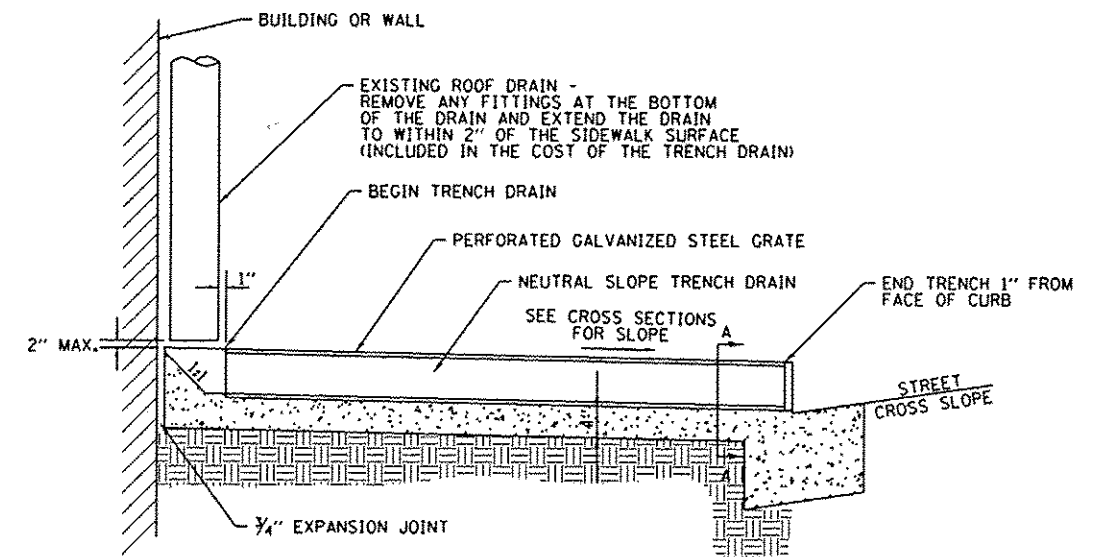
STEEL MUST MEET PROVISIONS OF ARTICLE 106.01 OF THE "STANDARD SPECIFICATIONS FOR ROAD AND BRIDGE CONSTRUCTION" AND SHALL BE DOMESTICALLY MANUFACTURED OR PRODUCED AND FABRICATED IN THE UNITED STATES.



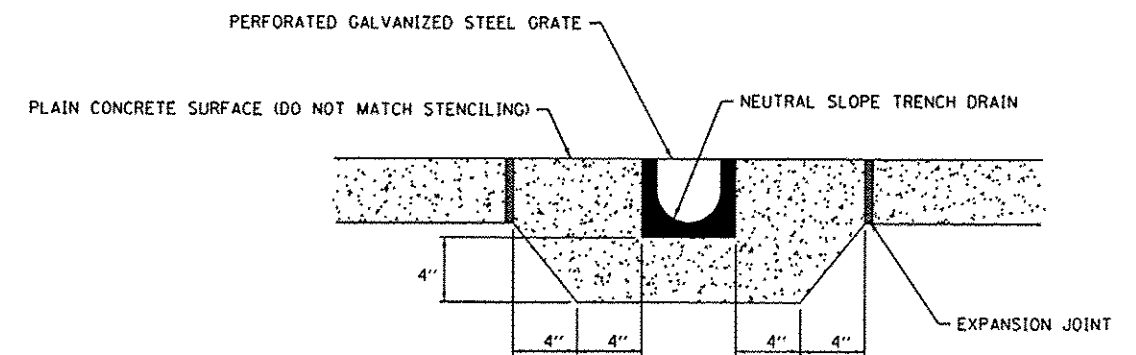
**TREE GRATE FRAME DETAIL
(NOT TO SCALE)**



**BUTT JOINT DETAIL
(NOT TO SCALE)**



**SIDE VIEW
(NOT TO SCALE)**



**SECTION A-A
TRENCH DRAIN DETAIL
(NOT TO SCALE)**

FILE NAME =	USER NAME = default	DESIGNED -	REVISED -
08260591.003-shr-details.dgn	PLOT TIME = 7:43:11 AM	DRAWN -	REVISED -
	PLOT SCALE = 48,0000 1/ IN.	CHECKED -	REVISED -
	PLOT DATE = 1/28/2014	DATE -	REVISED -

STATE OF ILLINOIS
DEPARTMENT OF TRANSPORTATION

CONSTRUCTION DETAILS

SCALE: SHEET 4 OF 4 SHEETS STA. TO STA.

F.A.U. RTE.	SECTION	COUNTY	TOTAL SHEETS	SHEET NO.
9393	11-00026-02-PV	MADISON	21	19
N. MAIN STREET RECONSTRUCTION			CONTRACT NO. 97550	
ILLINOIS FED. AID PROJECT				