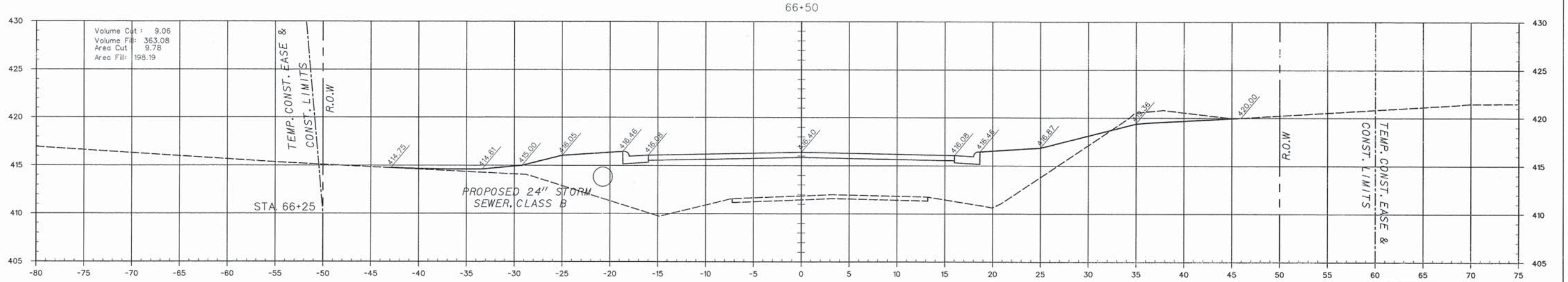
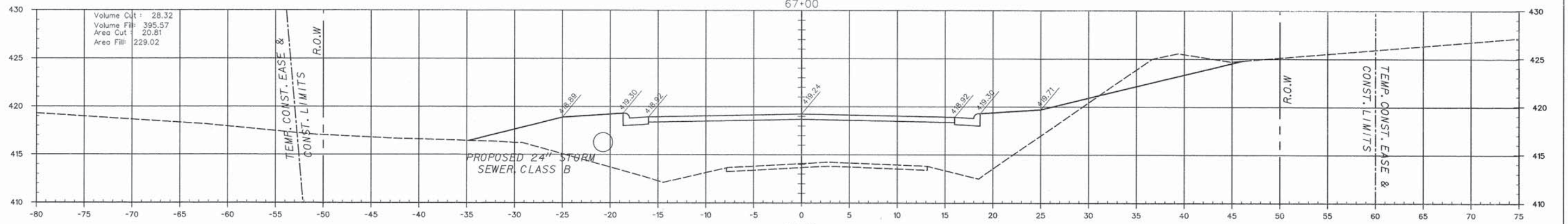
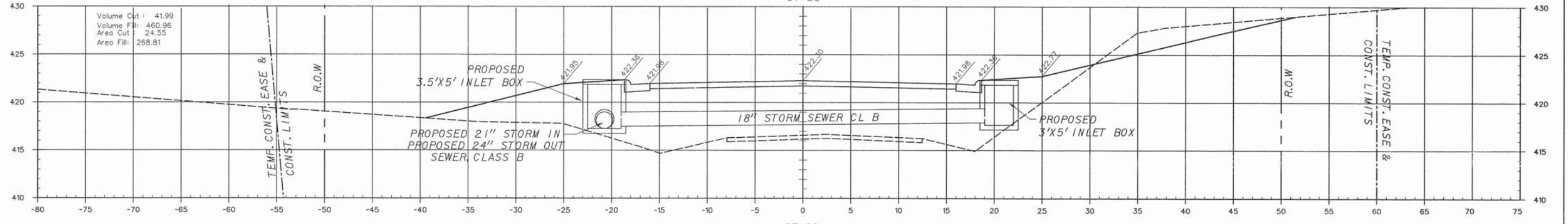
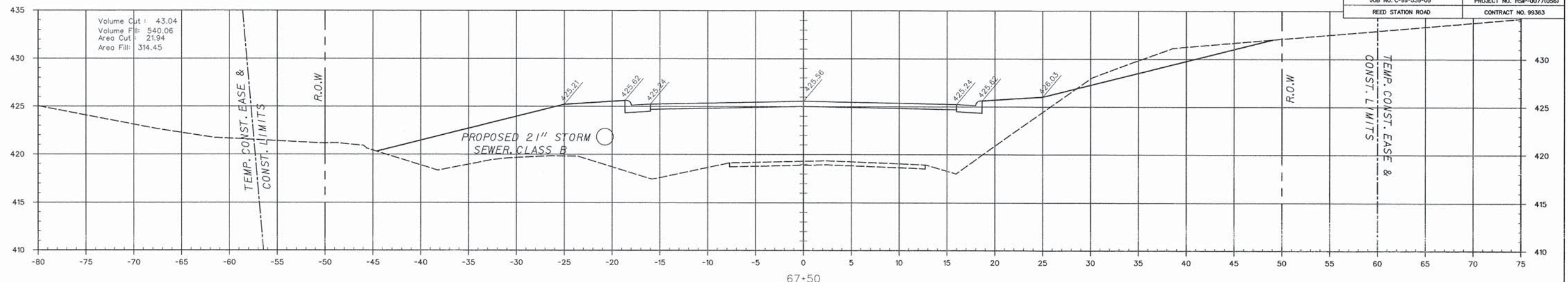
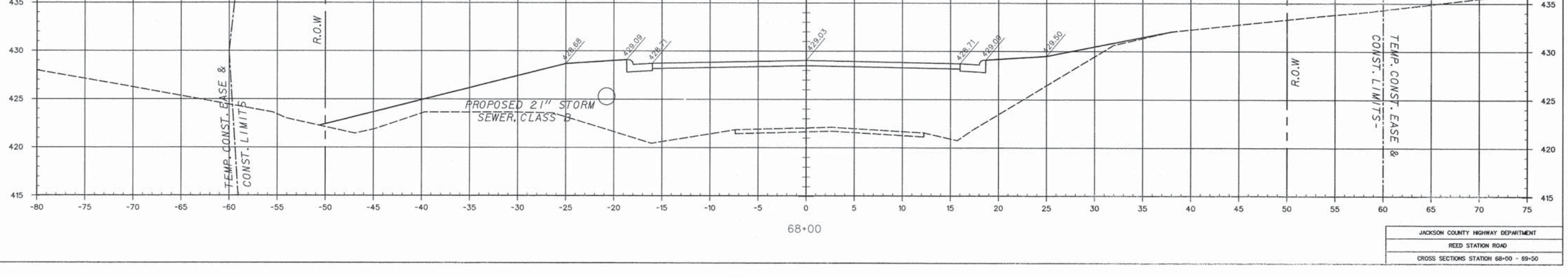
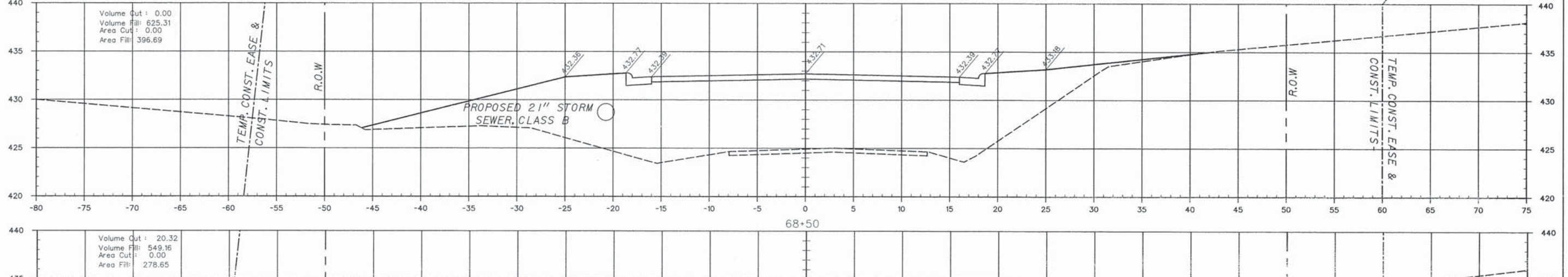
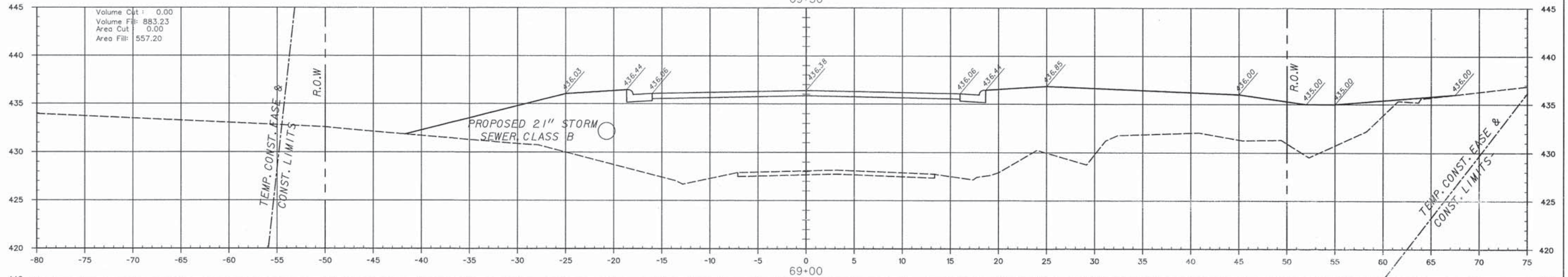
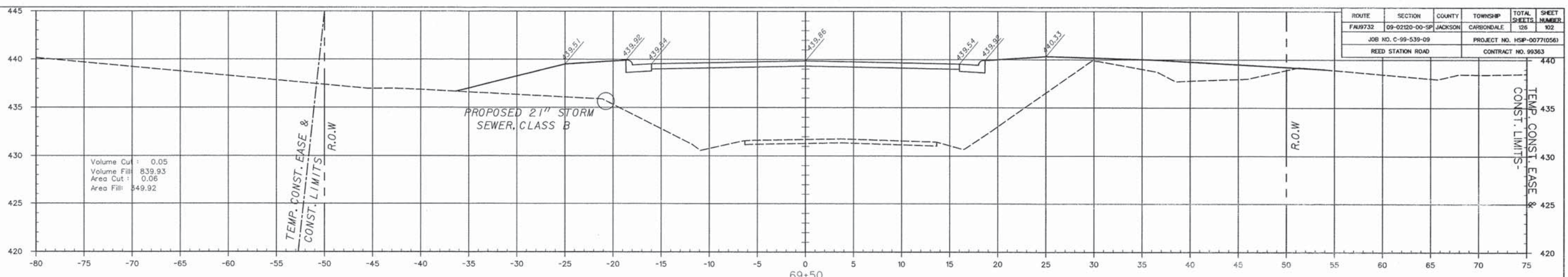


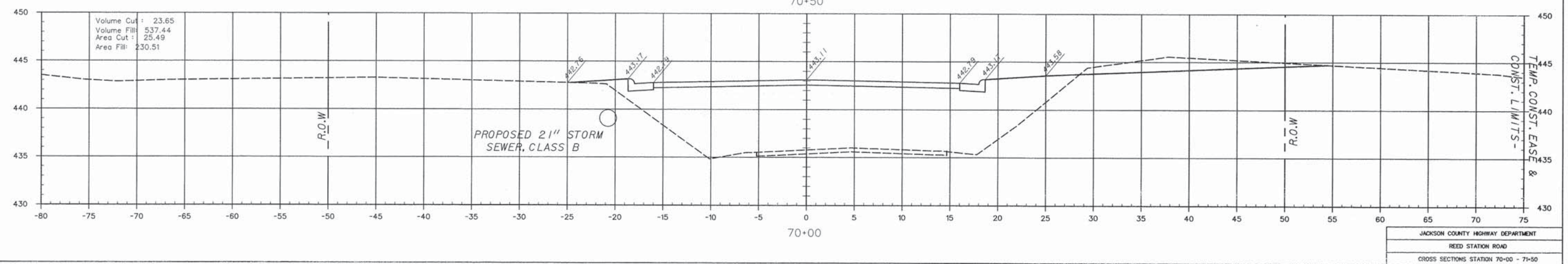
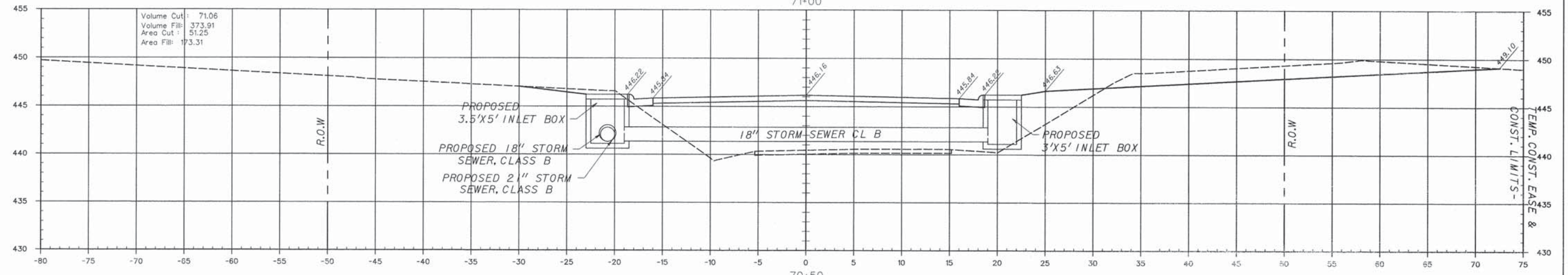
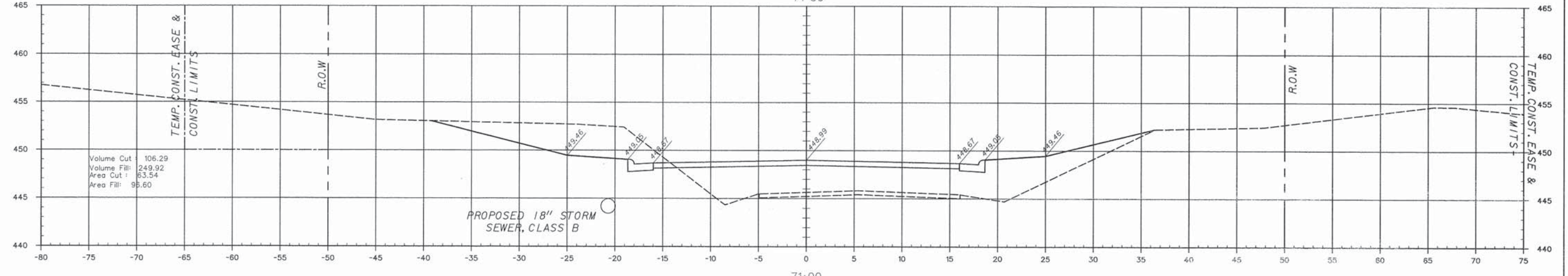
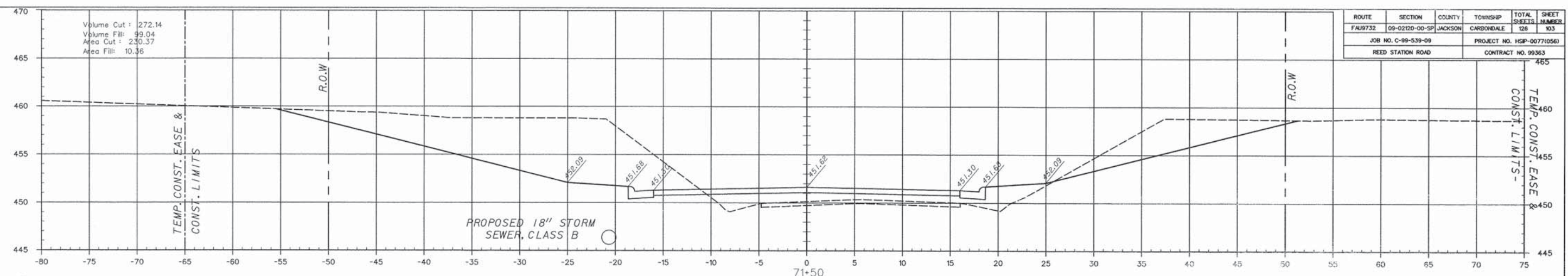
ROUTE	SECTION	COUNTY	TOWNSHIP	TOTAL SHEETS	SHEET NUMBER
FA9732	09-02120-00-SP	JACKSON	CARBONDALE	126	101
JOB NO. C-99-539-09				PROJECT NO. HSP-0077(056)	
REED STATION ROAD				CONTRACT NO. 99363	



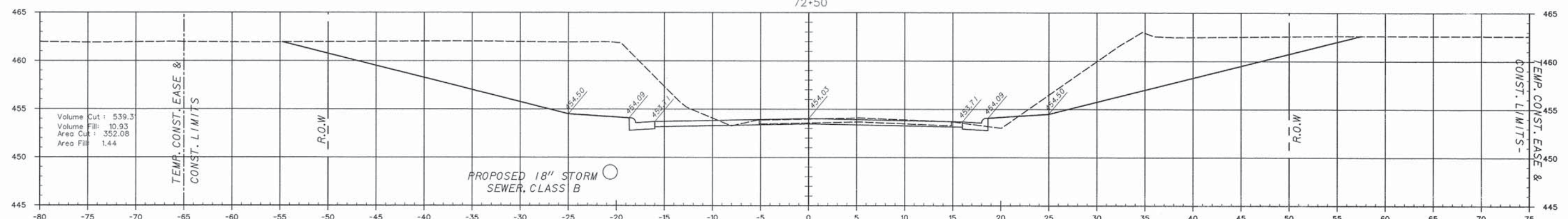
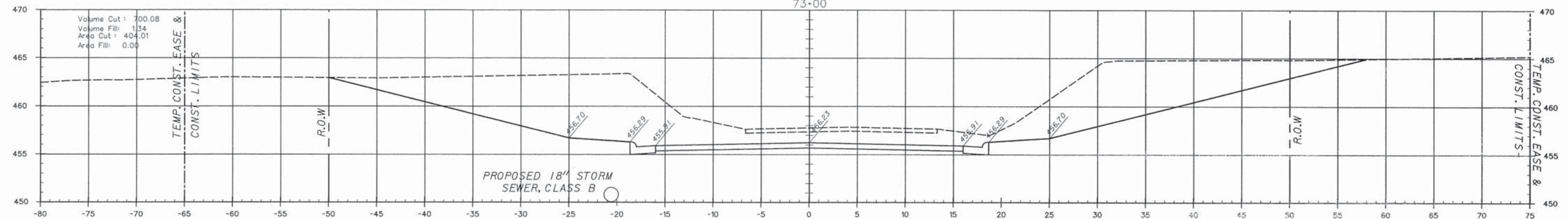
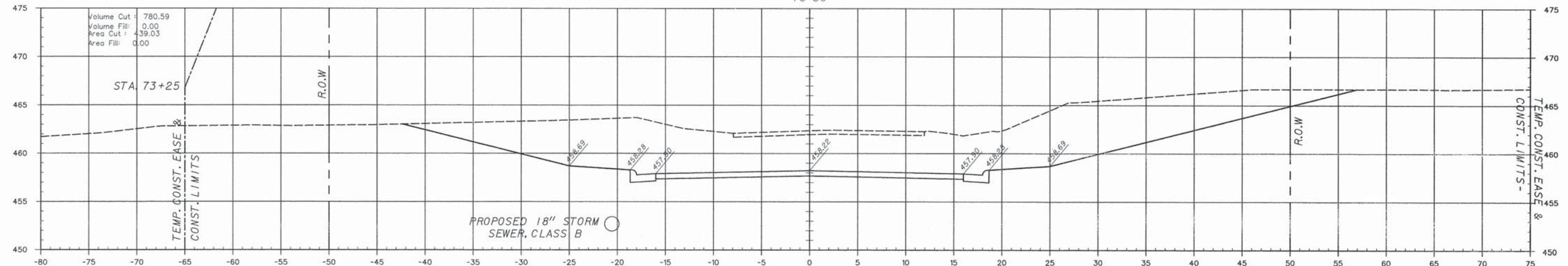
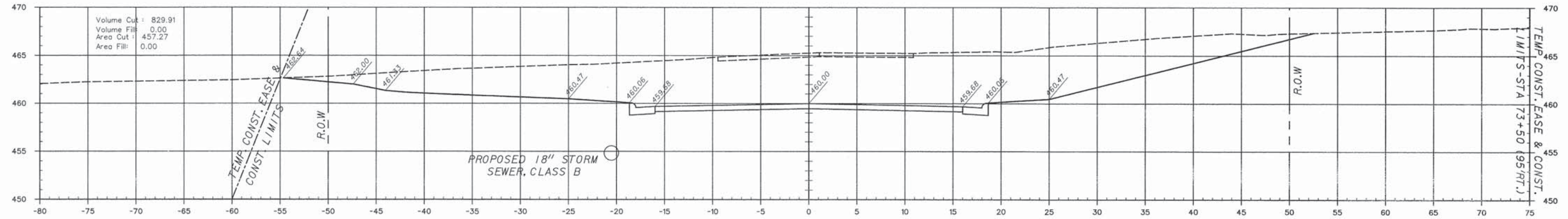
ROUTE	SECTION	COUNTY	TOWNSHIP	TOTAL SHEETS	SHEET NUMBER
FAU9732	09-02120-00-SP	JACKSON	CARBONDALE	126	102
JOB NO. C-99-539-09				PROJECT NO. HSP-0077(056)	
REED STATION ROAD				CONTRACT NO. 99363	



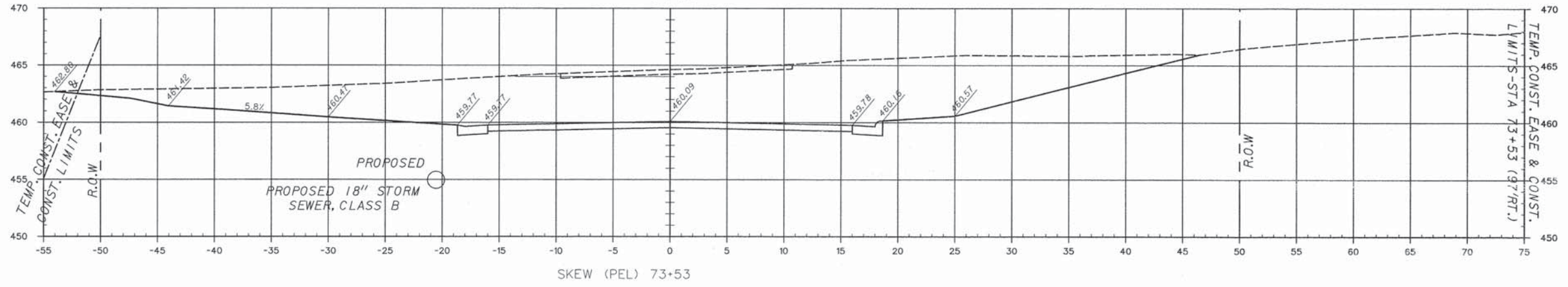
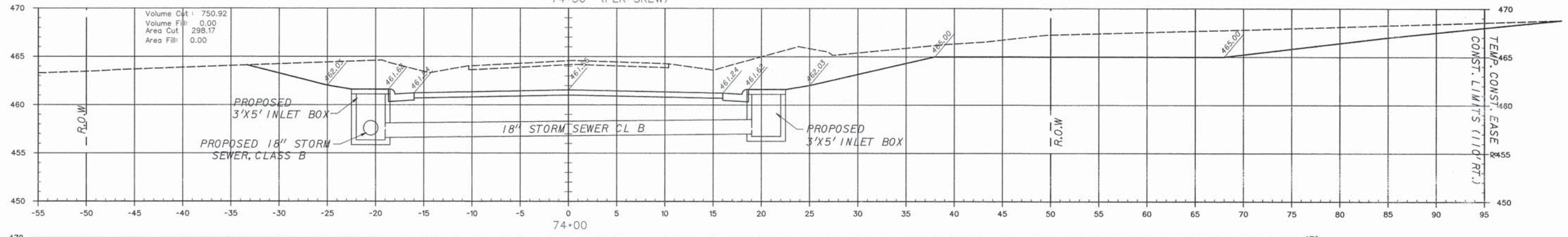
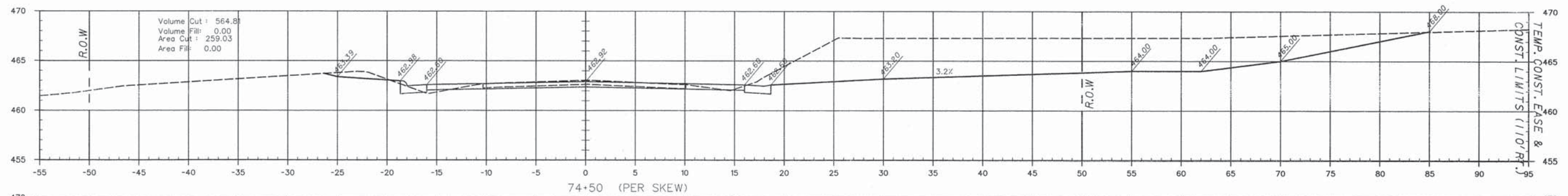
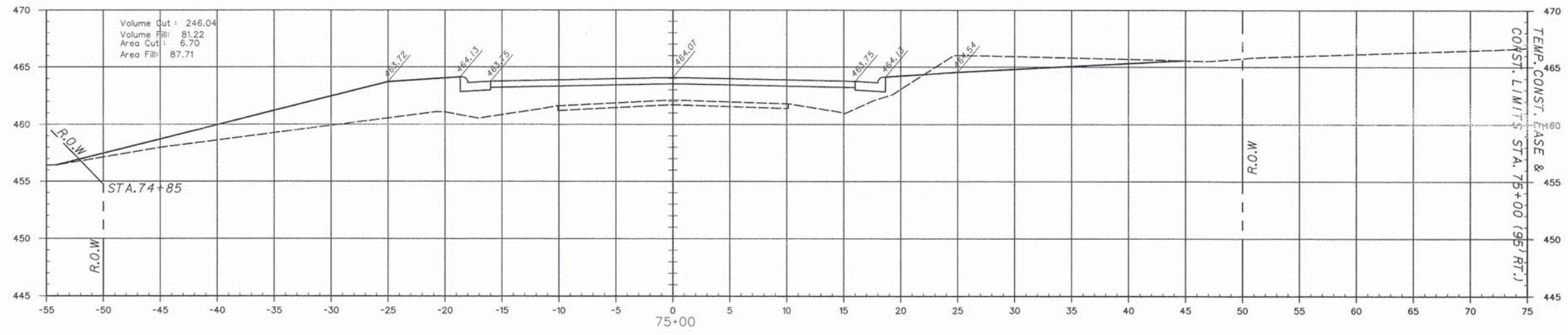
ROUTE	SECTION	COUNTY	TOWNSHIP	TOTAL SHEETS	SHEET NUMBER
FAU9732	09-02120-00-SP	JACKSON	CARDONDALE	126	103
JOB NO. C-99-539-09				PROJECT NO. HSP-007710561	
REED STATION ROAD				CONTRACT NO. 99363	



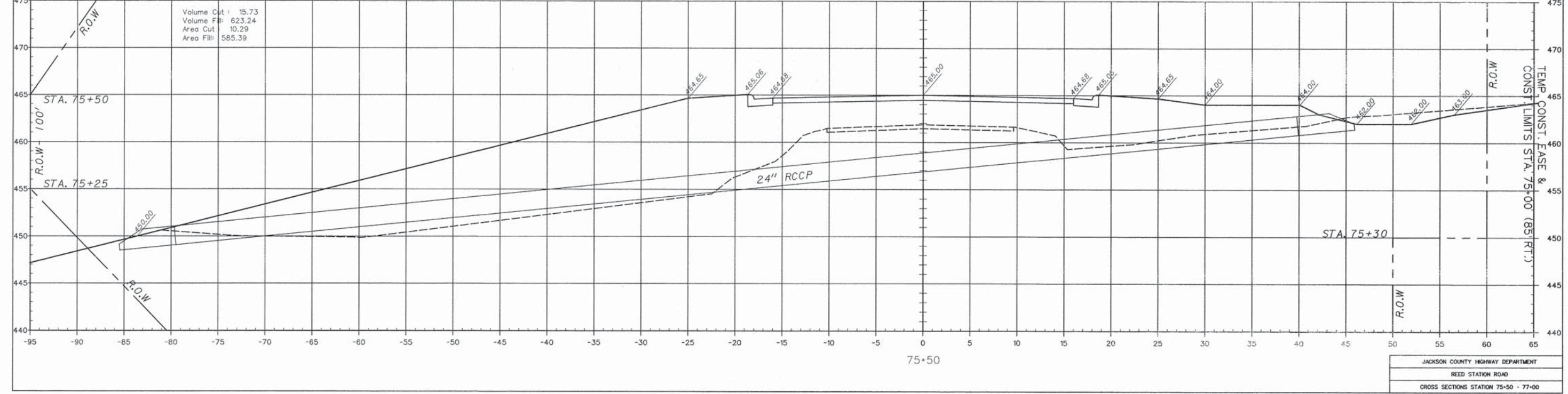
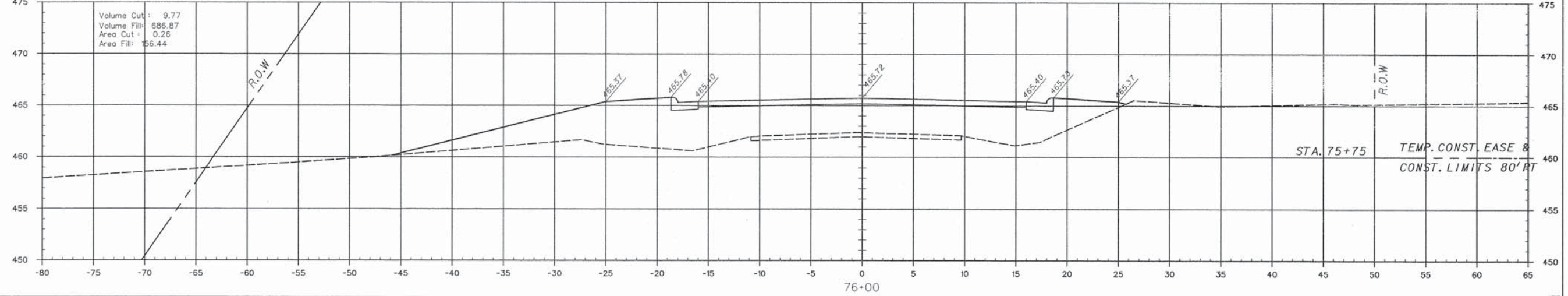
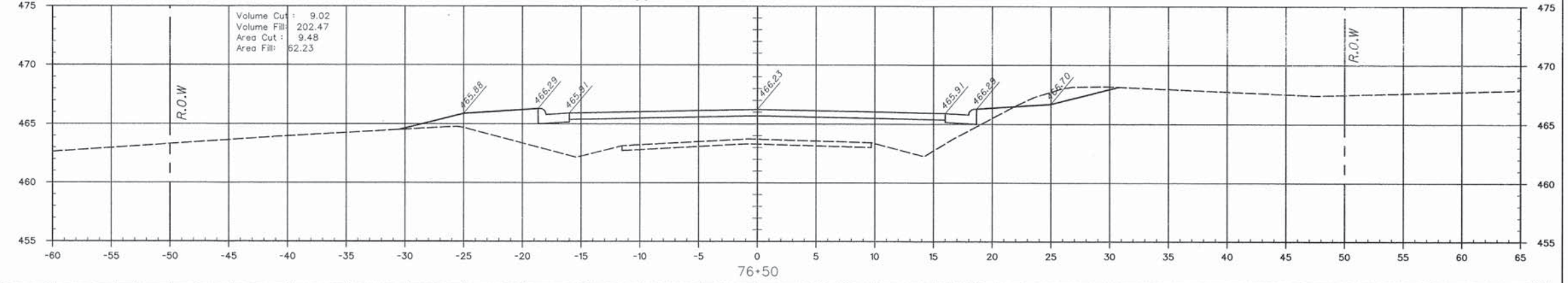
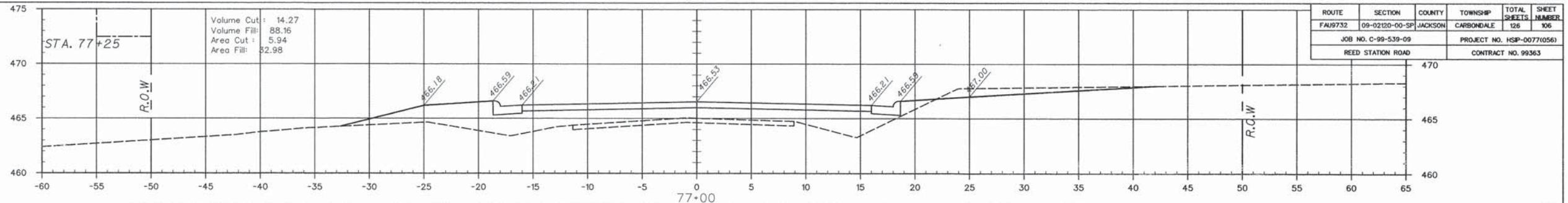
ROUTE	SECTION	COUNTY	TOWNSHIP	TOTAL SHEETS	SHEET NUMBER
FAJ9732	09-0210-00-SP	JACKSON	CARBONDALE	126	104
JOB NO. C-99-539-09				PROJECT NO. HSP-0077(056)	
REED STATION ROAD				CONTRACT NO. 99363	



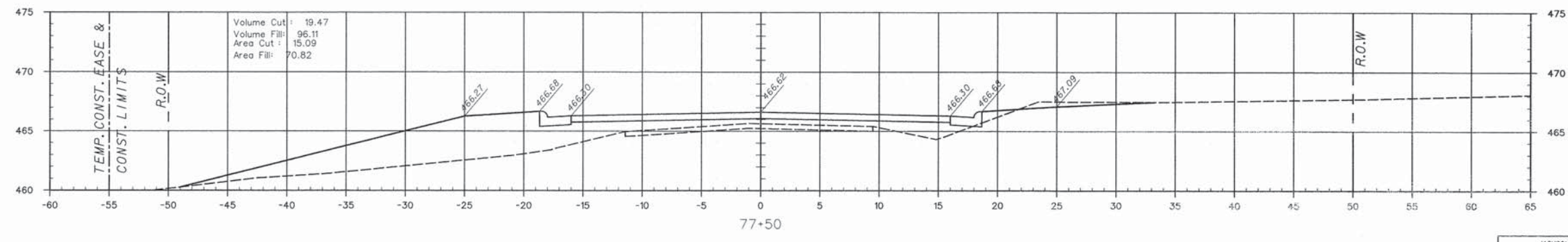
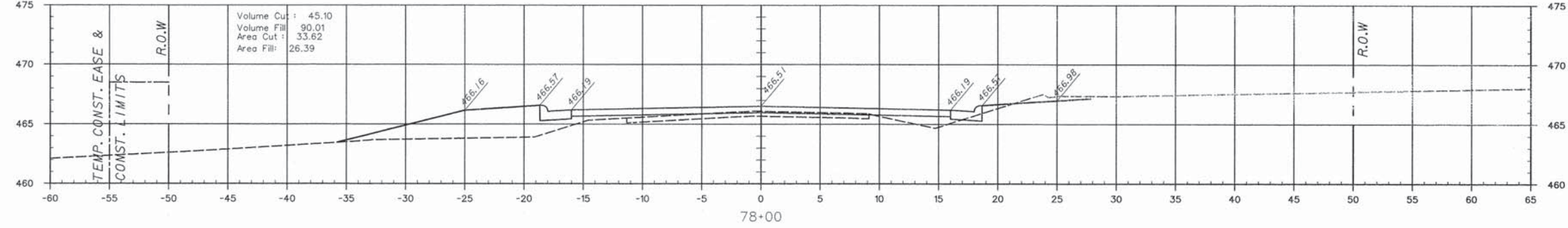
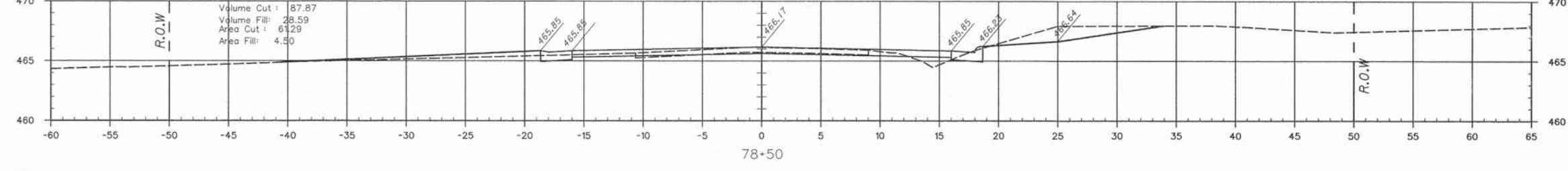
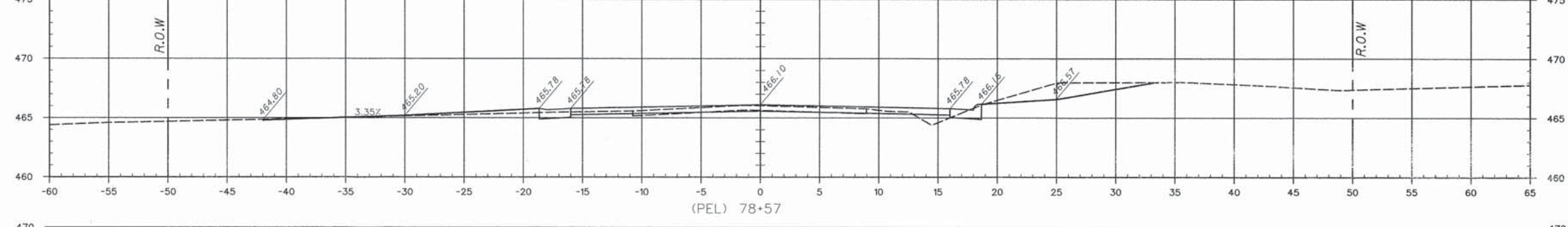
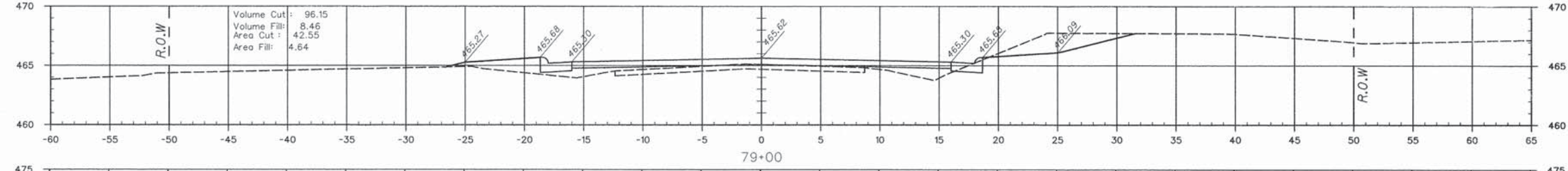
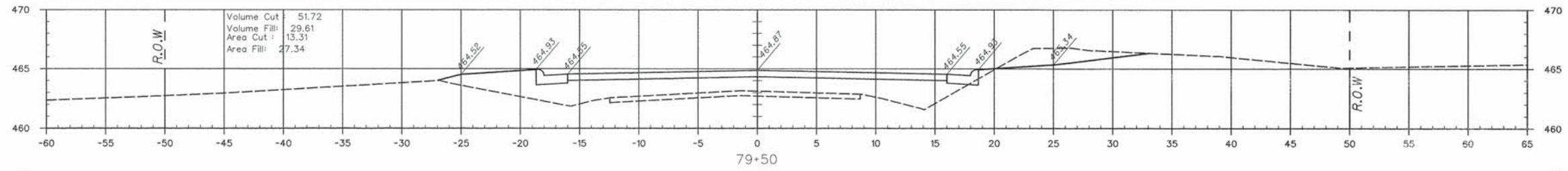
ROUTE	SECTION	COUNTY	TOWNSHIP	TOTAL SHEETS	SHEET NUMBER
FA19732	09-02120-00-SP	JACKSON	CARBONDALE	126	105
JOB NO. C-99-539-09				PROJECT NO. HSP-0077(056)	
REED STATION ROAD				CONTRACT NO. 99363	



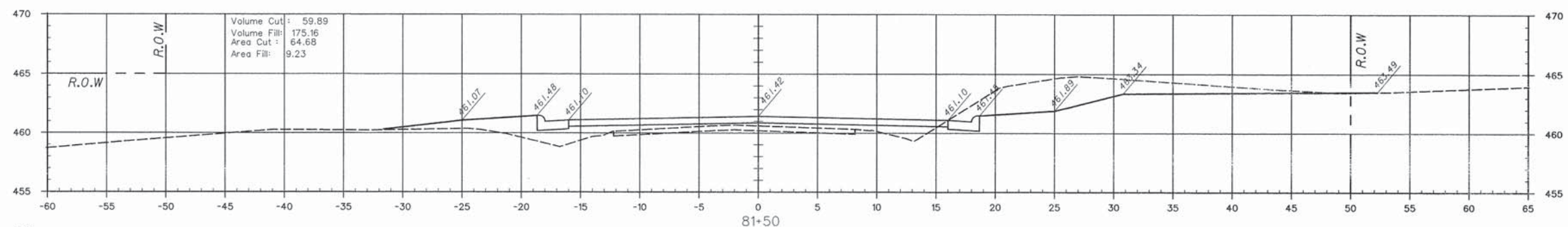
ROUTE	SECTION	COUNTY	TOWNSHIP	TOTAL SHEETS	SHEET NUMBER
FAU9732	09-0210-00-SP	JACKSON	CARBONDALE	126	106
JOB NO. C-99-539-09				PROJECT NO. HSP-0077(056)	
REED STATION ROAD				CONTRACT NO. 99363	



ROUTE	SECTION	COUNTY	TOWNSHIP	TOTAL SHEETS	SHEET NUMBER
FAU9732	09-02120-00-SP	JACKSON	CARBONDALE	126	107
JOB NO. C-99-539-09			PROJECT NO. HSP-0077(056)		
REED STATION ROAD			CONTRACT NO. 99363		

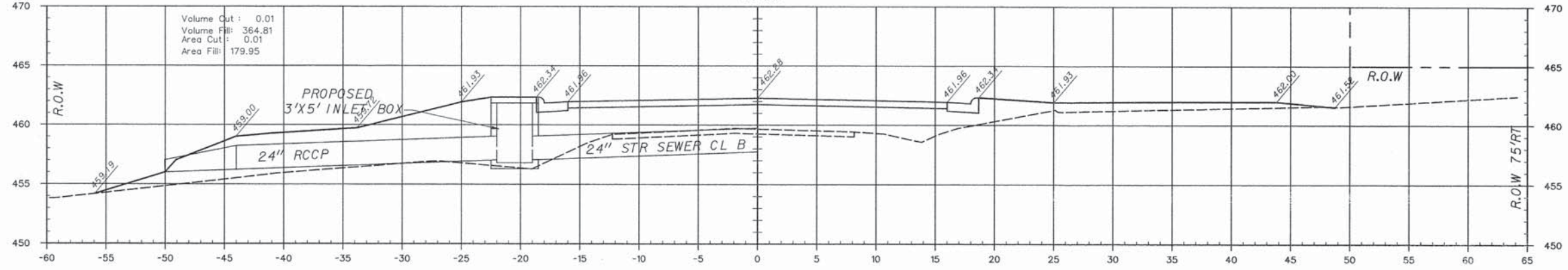


ROUTE	SECTION	COUNTY	TOWNSHIP	TOTAL SHEETS	SHEET NUMBER
FA19732	09-02120-00-SP	JACKSON	CARBONDALE	126	108
JOB NO. C-99-539-09				PROJECT NO. HSP-0077(056)	
REED STATION ROAD				CONTRACT NO. 99363	



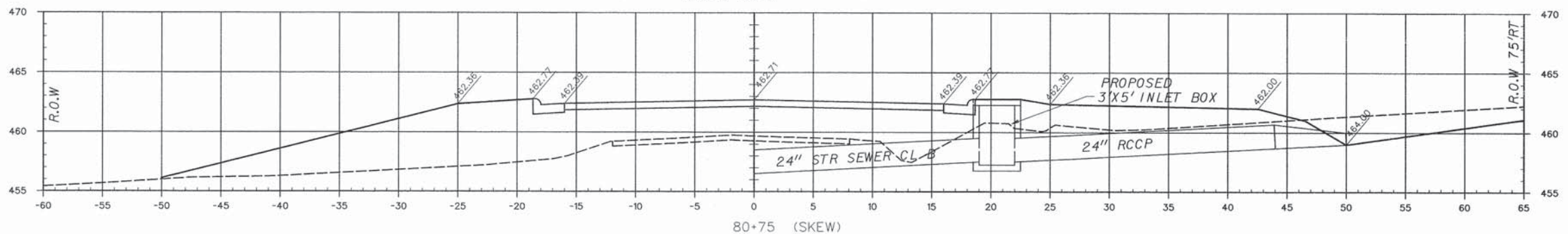
Volume Cut : 59.89
 Volume Fill : 175.16
 Area Cut : 64.68
 Area Fill : 9.23

81+50

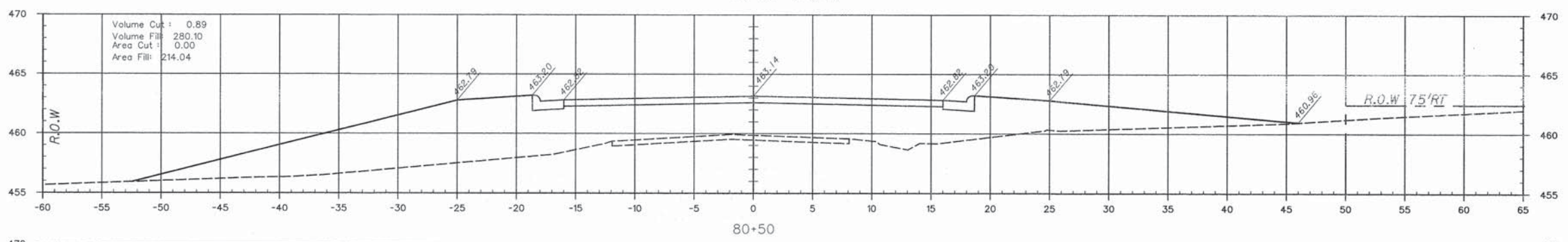


Volume Cut : 0.01
 Volume Fill : 364.81
 Area Cut : 0.01
 Area Fill : 179.95

(SKEW) 81+00

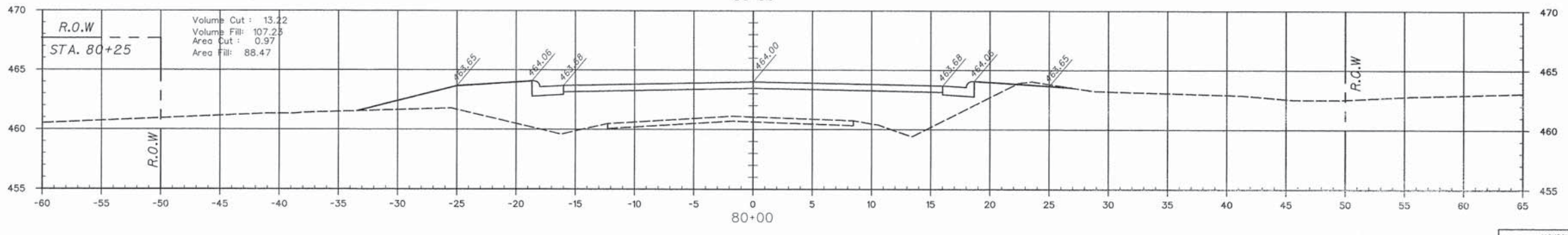


80+75 (SKEW)



Volume Cut : 0.89
 Volume Fill : 280.10
 Area Cut : 0.00
 Area Fill : 214.04

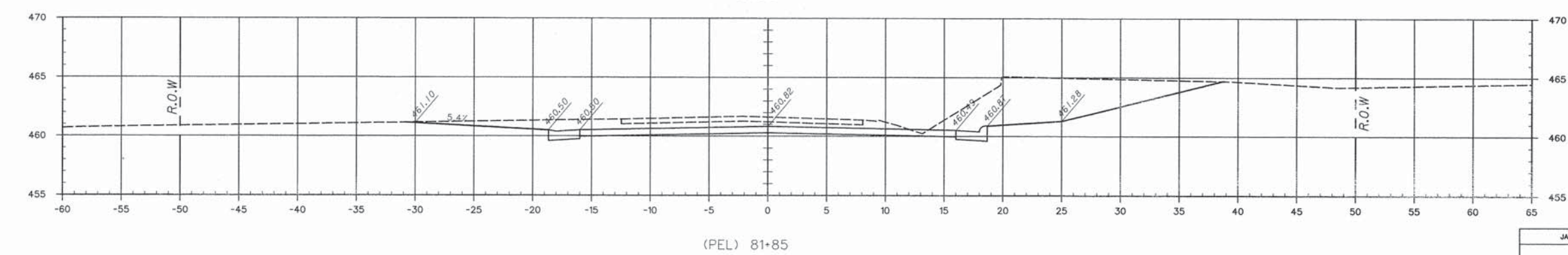
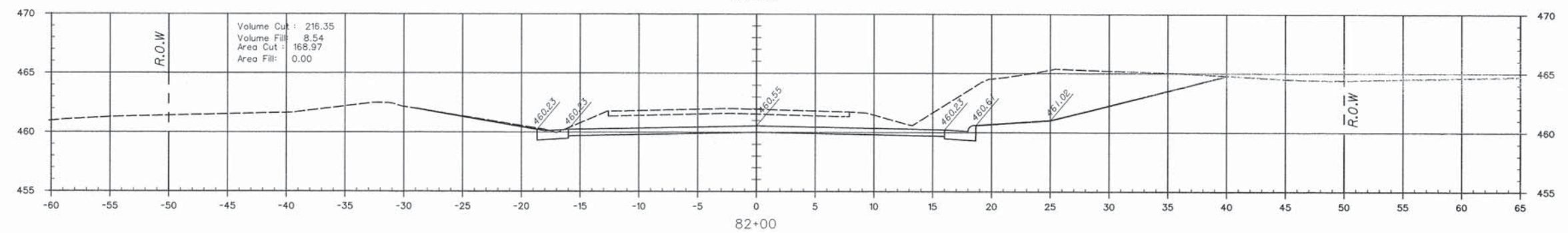
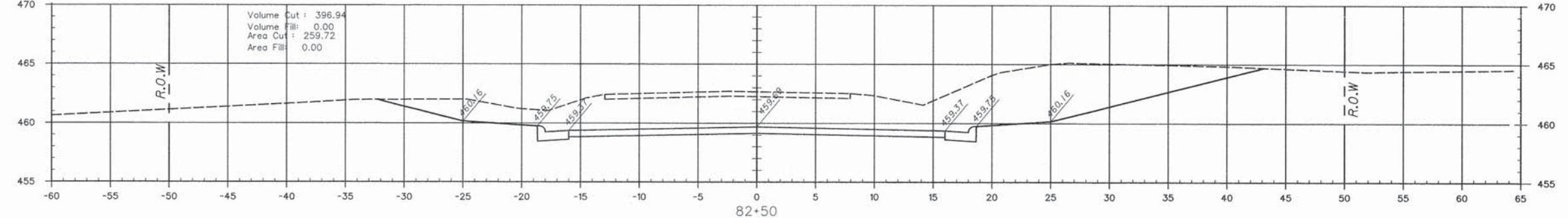
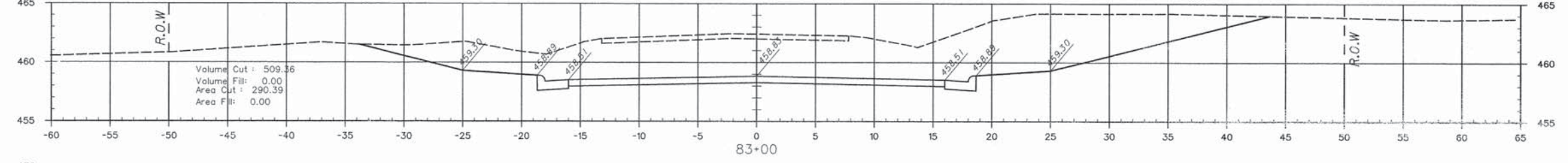
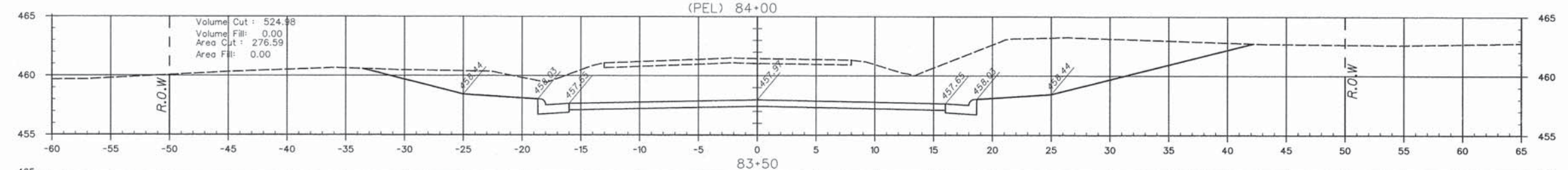
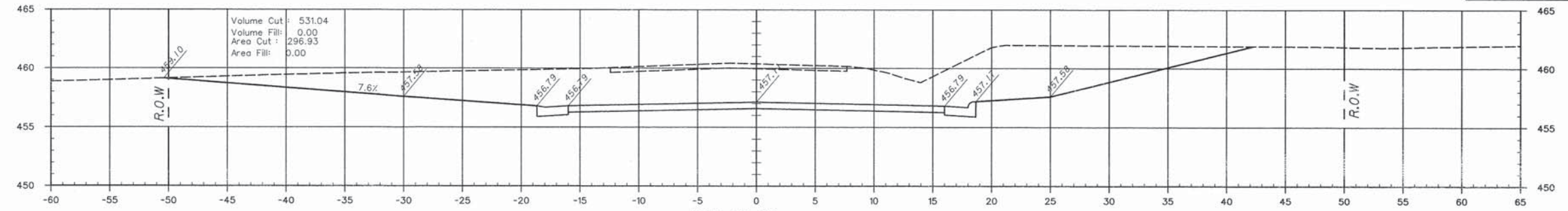
80+50



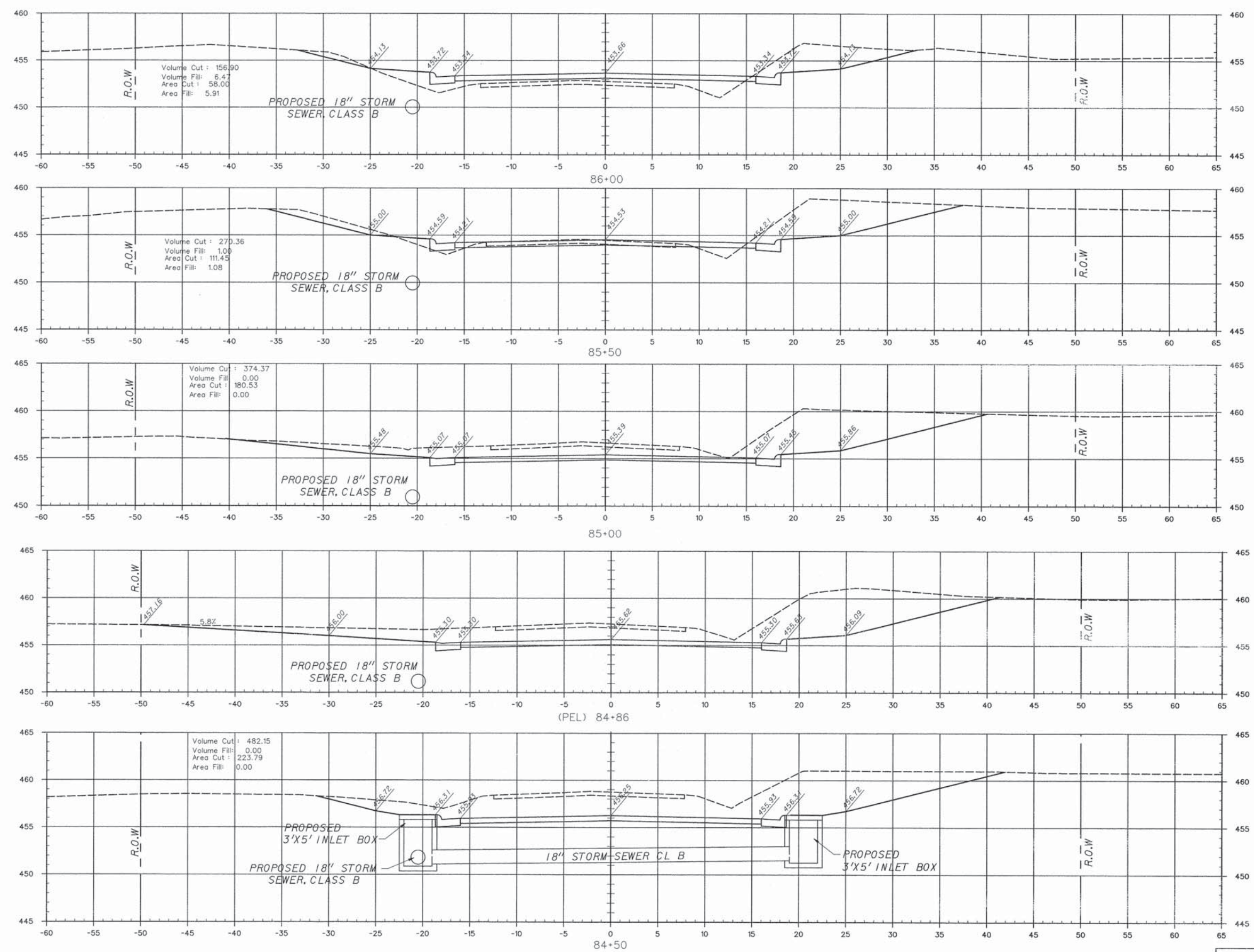
Volume Cut : 13.22
 Volume Fill : 107.23
 Area Cut : 0.97
 Area Fill : 88.47

80+25

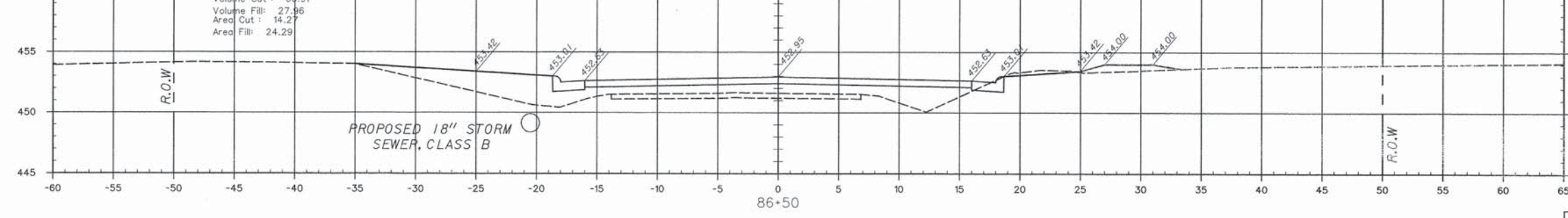
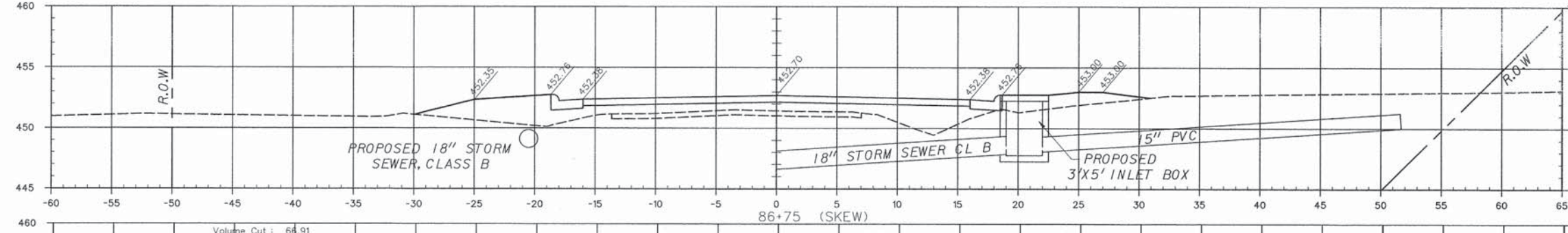
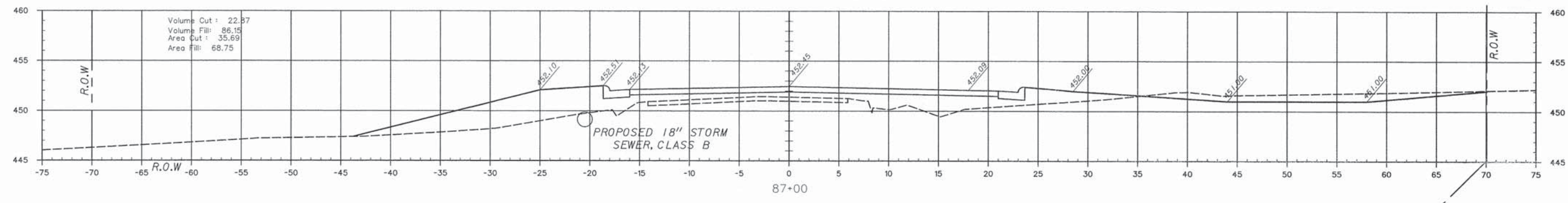
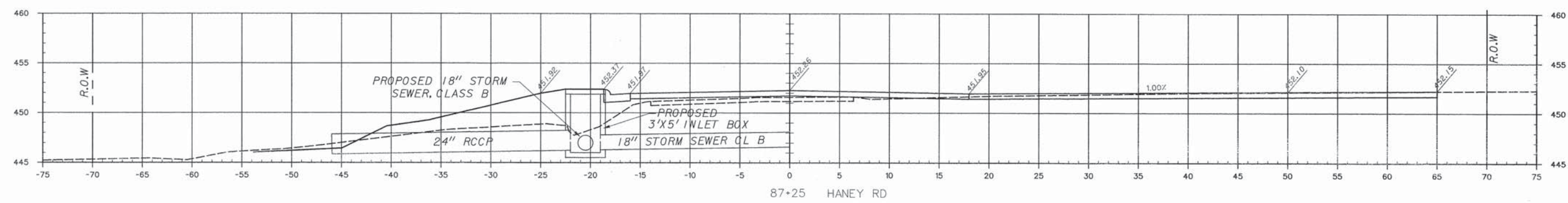
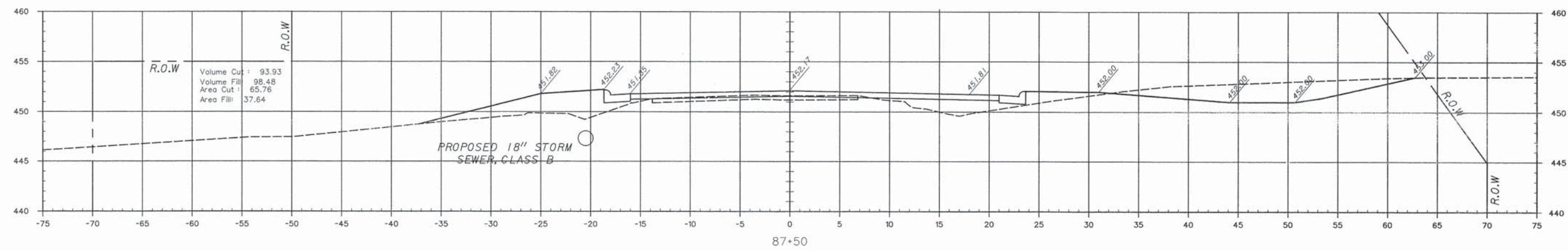
ROUTE	SECTION	COUNTY	TOWNSHIP	TOTAL SHEETS	SHEET NUMBER
FA9732	09-0210-00-SP	JACKSON	CARBONDALE	126	109
JOB NO. C-99-539-09				PROJECT NO. HSP-0077(056)	
REED STATION ROAD				CONTRACT NO. 99363	



ROUTE	SECTION	COUNTY	TOWNSHIP	TOTAL SHEETS	SHEET NUMBER
FAU9732	09-02120-00-SP	JACKSON	CARBONDALE	126	110
JOB NO. C-99-539-09				PROJECT NO. 15P-0077(056)	
REED STATION ROAD				CONTRACT NO. 99363	



ROUTE	SECTION	COUNTY	TOWNSHIP	TOTAL SHEETS	SHEET NUMBER
FAU9732	09-02/20-00-SP	JACKSON	CARBONDALE	126	111
JOB NO. C-99-539-09				PROJECT NO. HSP-0077(056)	
REED STATION ROAD				CONTRACT NO. 99363	

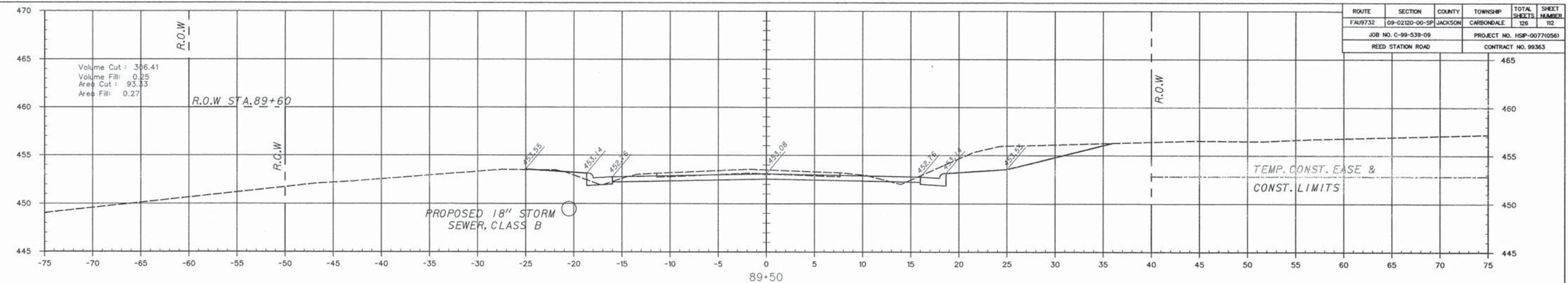


Volume Cut : 93.93
 Volume Fill : 98.48
 Area Cut : 65.76
 Area Fill : 37.64

Volume Cut : 22.87
 Volume Fill : 86.15
 Area Cut : 35.69
 Area Fill : 68.75

Volume Cut : 68.91
 Volume Fill : 27.86
 Area Cut : 14.27
 Area Fill : 24.29

ROUTE	SECTION	COUNTY	TOWNSHIP	TOTAL SHEETS	SHEET NUMBER
FA9732	09-0210-00-SP	JACKSON	CARBONDALE	126	112
JOB NO. C-99-539-09				PROJECT NO. HSP-0077(056)	
REED STATION ROAD				CONTRACT NO. 99363	

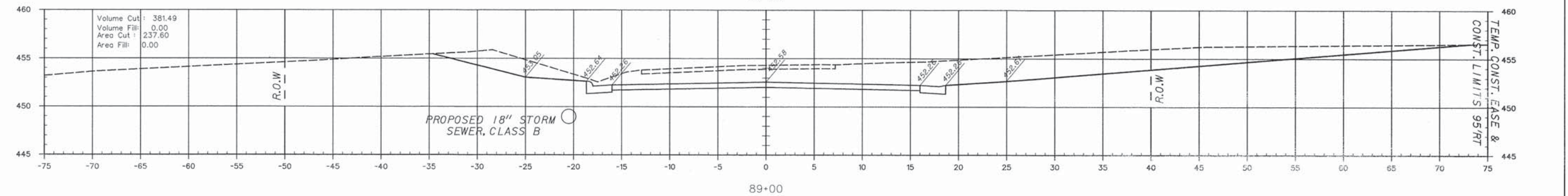


Volume Cut : 306.41
 Volume Fill : 0.85
 Area Cut : 93.13
 Area Fill : 0.27

R.O.W STA. 89+60

PROPOSED 18" STORM SEWER, CLASS B

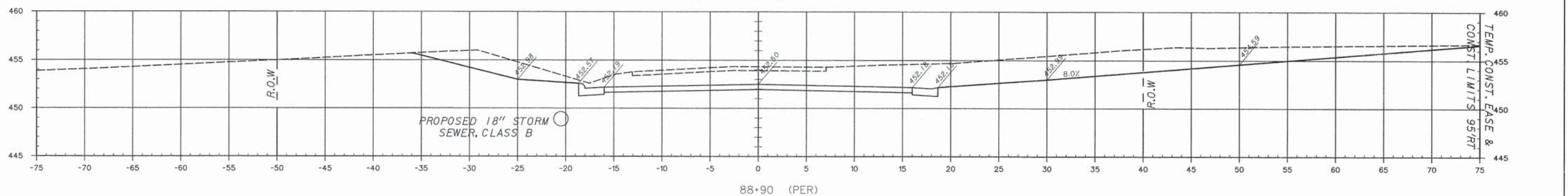
TEMP. CONST. EASE & CONST. LIMITS



Volume Cut : 381.49
 Volume Fill : 0.00
 Area Cut : 237.60
 Area Fill : 0.00

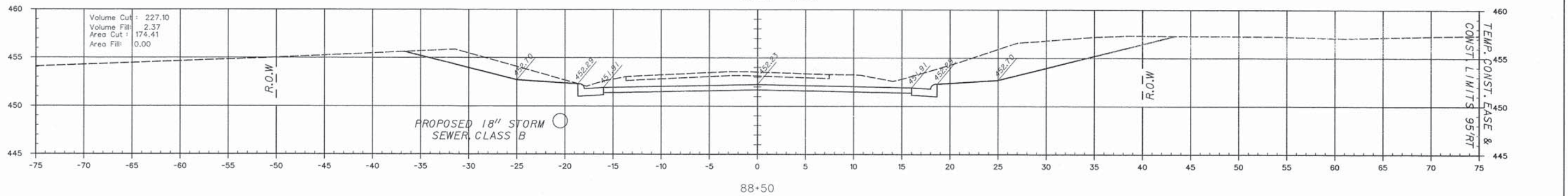
PROPOSED 18" STORM SEWER, CLASS B

TEMP. CONST. EASE & CONST. LIMITS 95/RT



PROPOSED 18" STORM SEWER, CLASS B

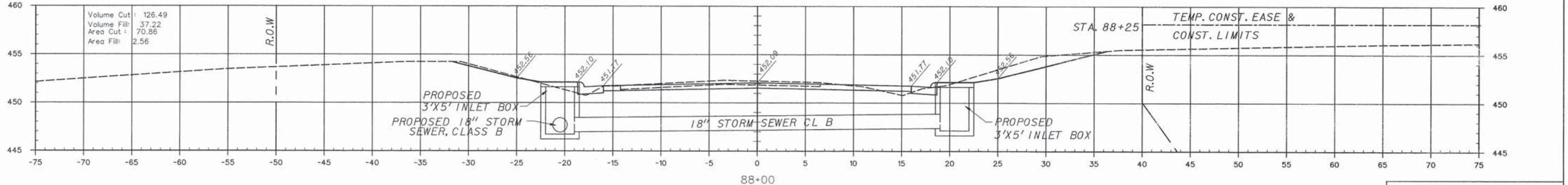
TEMP. CONST. EASE & CONST. LIMITS 95/RT



Volume Cut : 227.10
 Volume Fill : 2.37
 Area Cut : 174.41
 Area Fill : 0.00

PROPOSED 18" STORM SEWER, CLASS B

TEMP. CONST. EASE & CONST. LIMITS 95/RT



Volume Cut : 126.49
 Volume Fill : 37.22
 Area Cut : 70.86
 Area Fill : 2.56

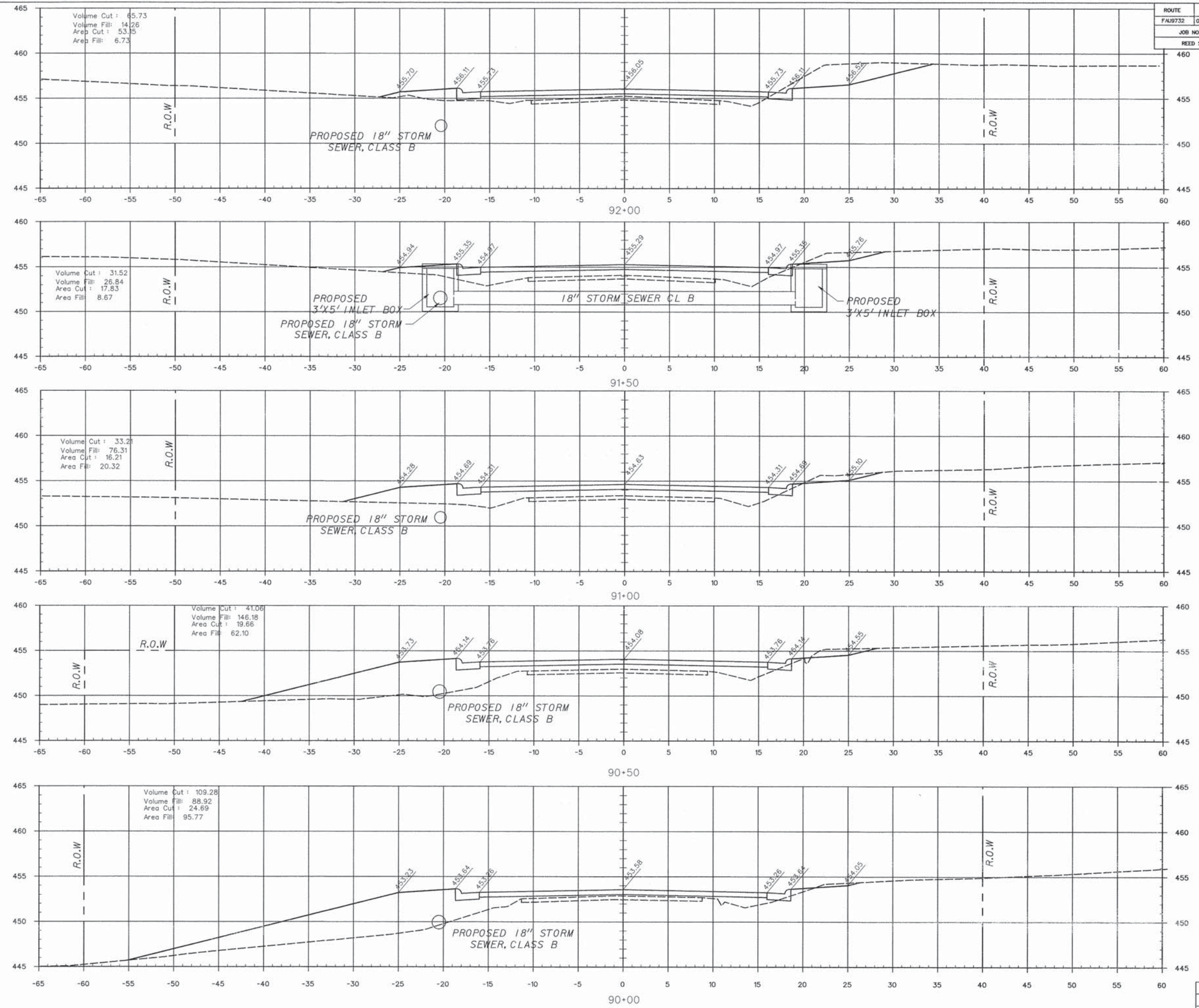
PROPOSED 3'X5' INLET BOX
 PROPOSED 18" STORM SEWER, CLASS B

18" STORM SEWER CL B

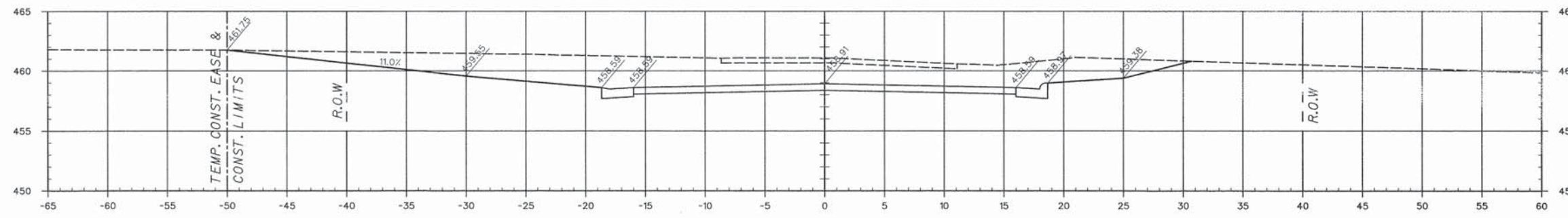
PROPOSED 3'X5' INLET BOX

STA. 88+25 TEMP. CONST. EASE & CONST. LIMITS

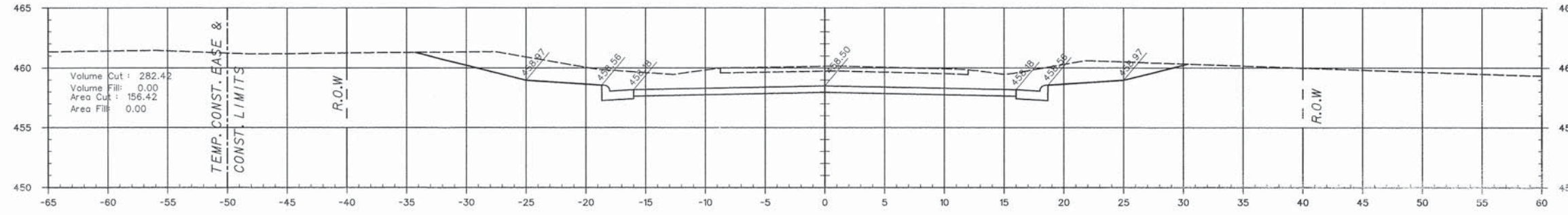
ROUTE	SECTION	COUNTY	TOWNSHIP	TOTAL SHEETS	SHEET NUMBER
FAU9732	09-02120-00-SP	JACKSON	CARBONDALE	126	113
JOB NO. C-99-539-09				PROJECT NO. HSP-0077(056)	
REED STATION ROAD				CONTRACT NO. 99363	



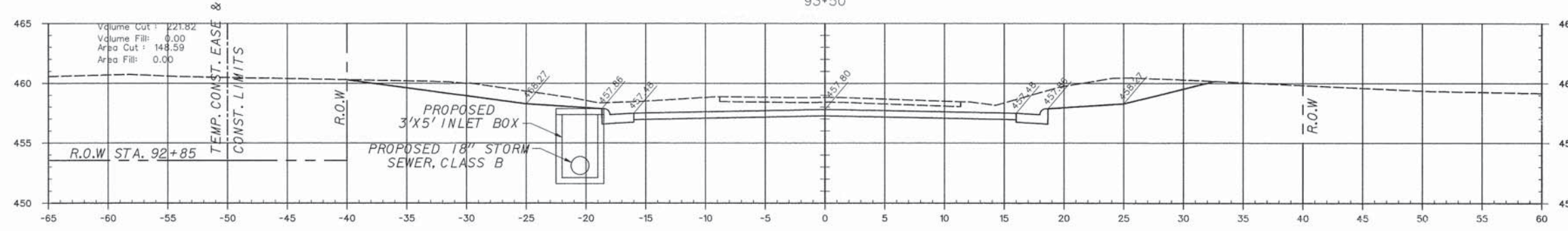
ROUTE	SECTION	COUNTY	TOWNSHIP	TOTAL SHEETS	SHEET NUMBER
FAU9732	09-02120-00-SP	JACKSON	CARBONDALE	126	114
JOB NO. C-99-539-09			PROJECT NO. HSP-0077(056)		
REED STATION ROAD			CONTRACT NO. 99363		



(PEL) 93+91.5



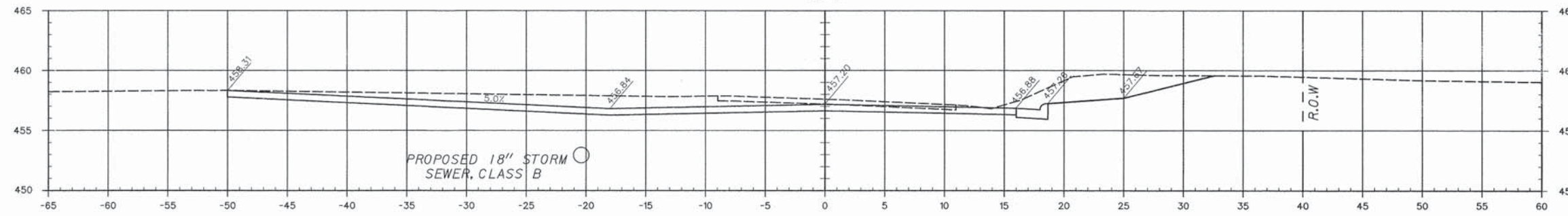
93+50



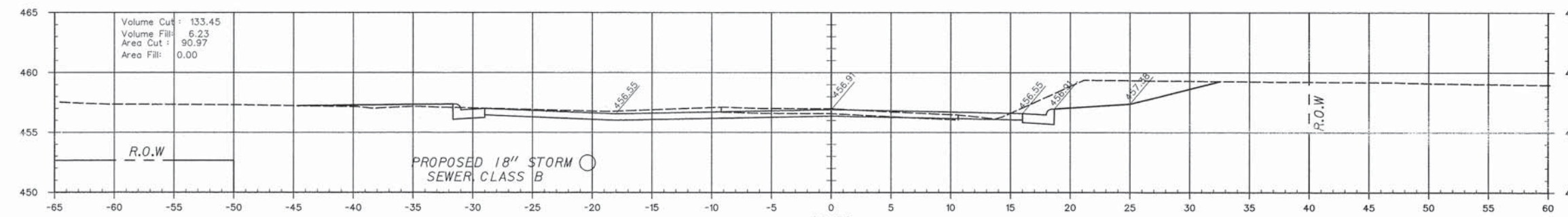
R.O.W. STA. 92+85

Volume Cut : 221.82
Volume Fill : 0.00
Area Cut : 148.59
Area Fill : 0.00

93+12



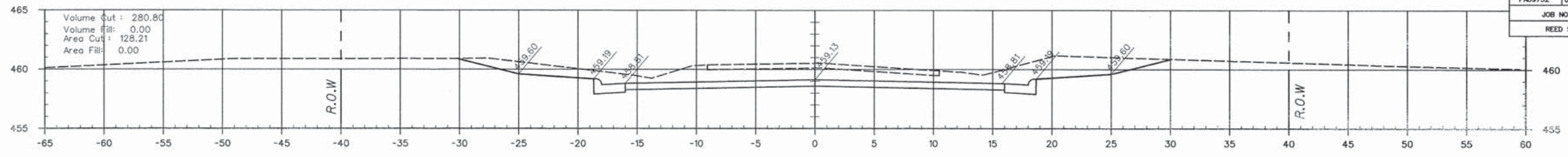
DILLINGER RD 92+66



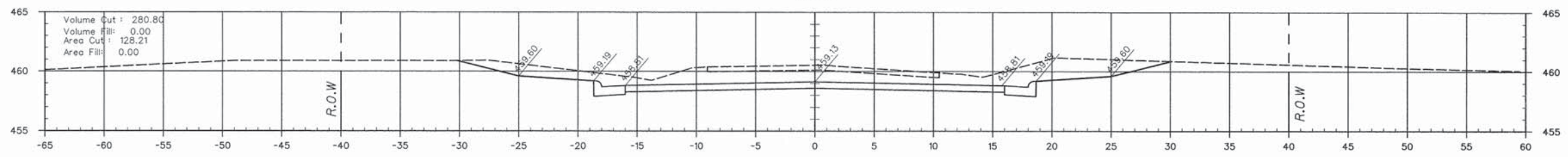
92+50

Volume Cut : 133.45
Volume Fill : 6.23
Area Cut : 90.97
Area Fill : 0.00

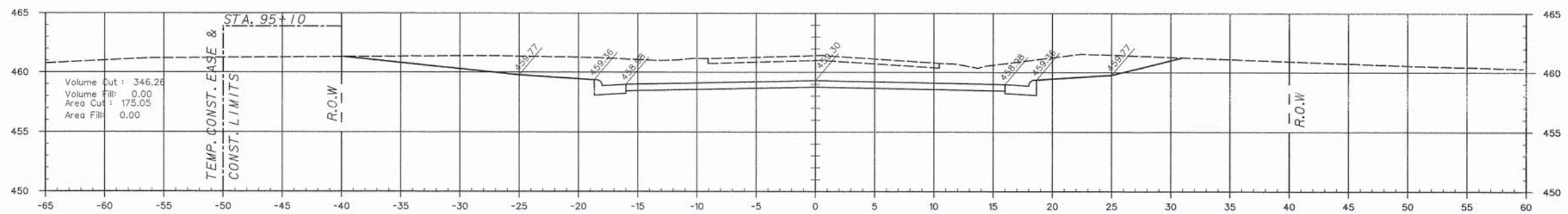
ROUTE	SECTION	COUNTY	TOWNSHIP	TOTAL SHEETS	SHEET NUMBER
FA9732	09-02120-00-SP	JACKSON	CARBONDALE	126	115
JOB NO. C-99-539-09				PROJECT NO. HSP-0077(056)	
REED STATION ROAD				CONTRACT NO. 99363	



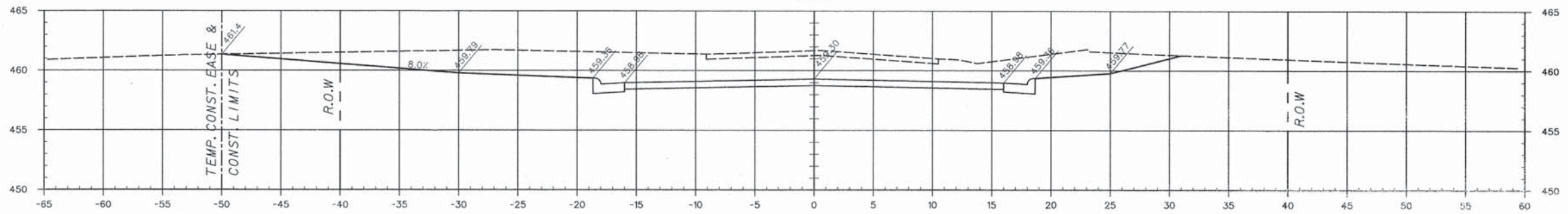
95+50



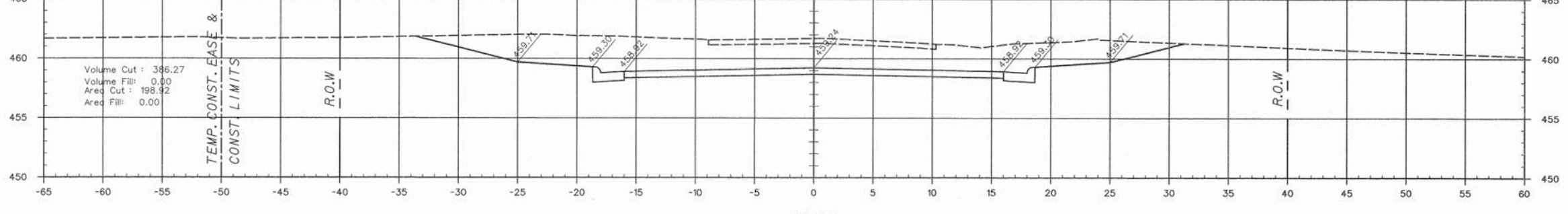
(PEL) 95+37



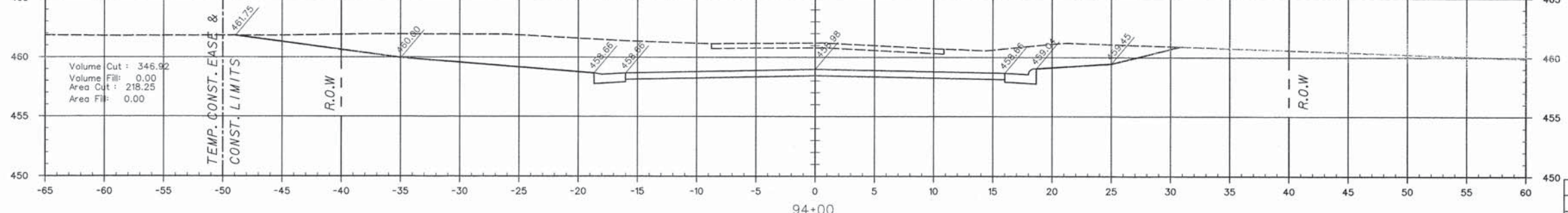
95+00



(PEL) 94+79.5

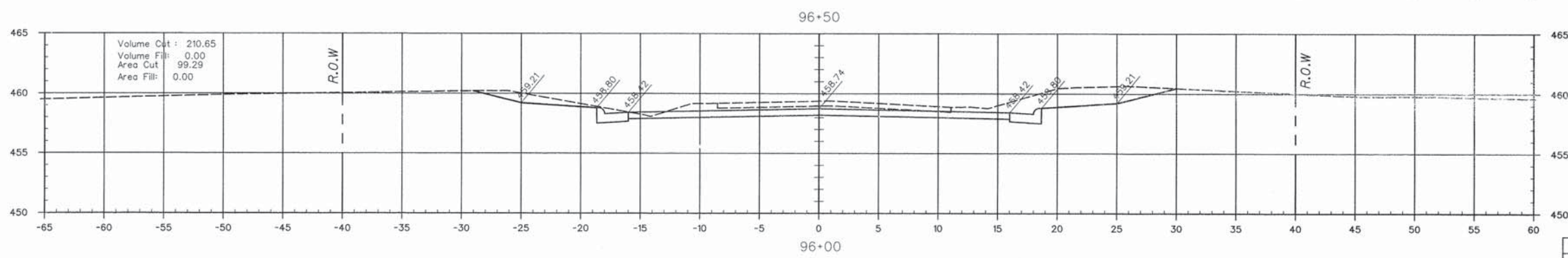
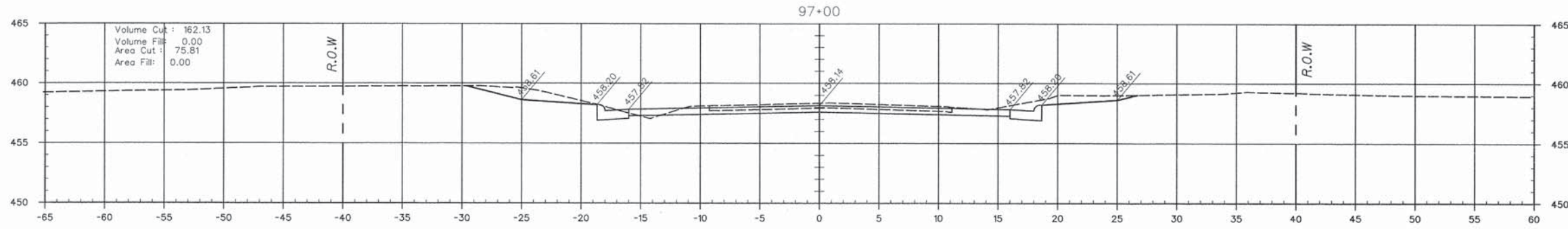
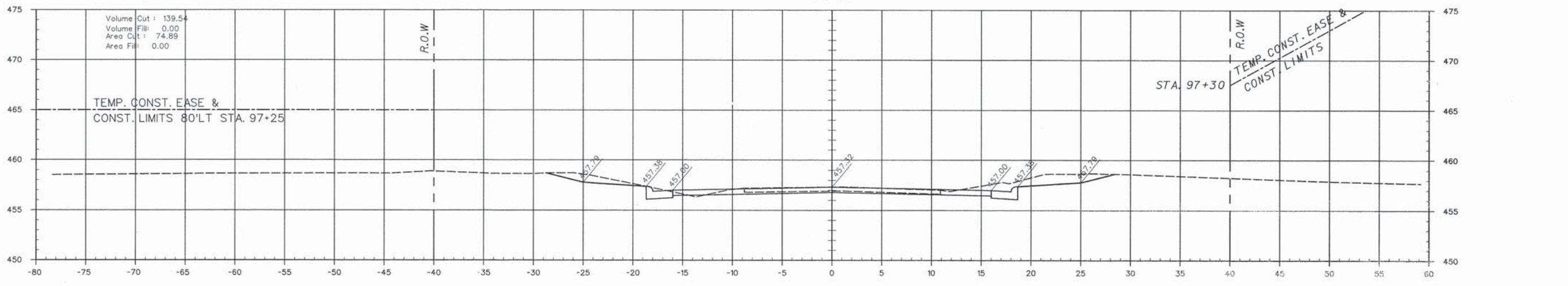
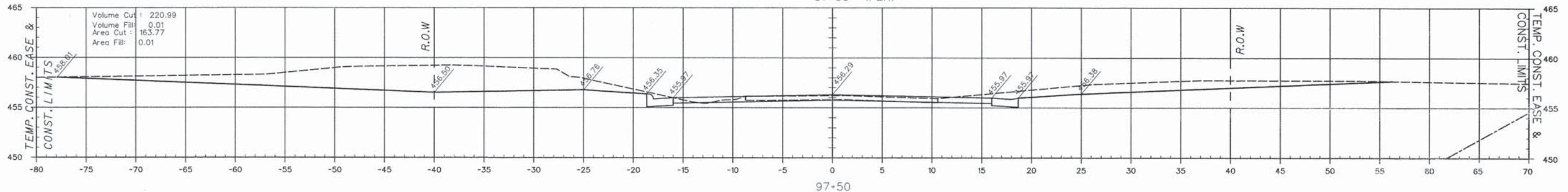
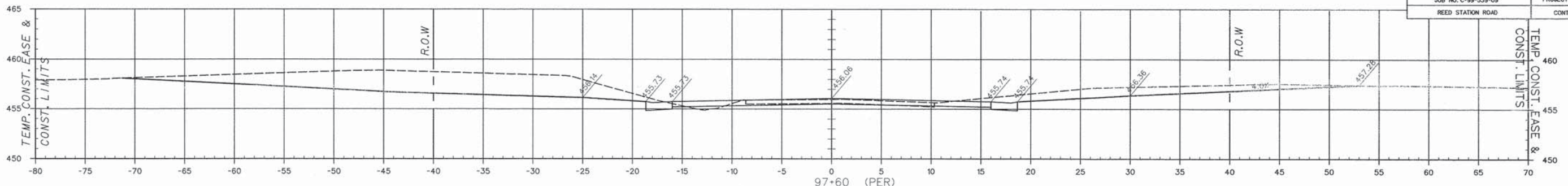


94+50

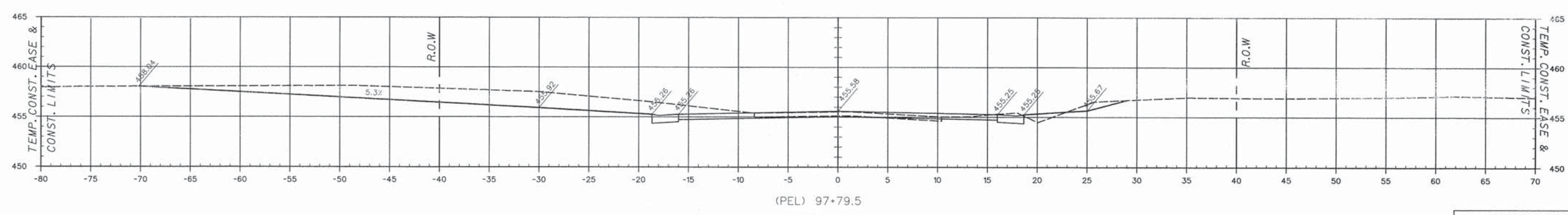
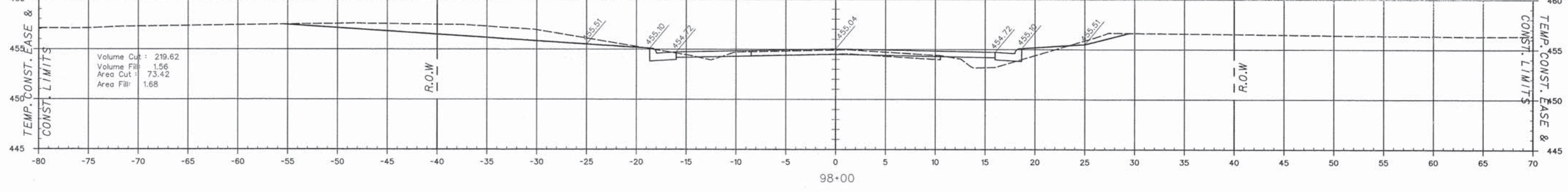
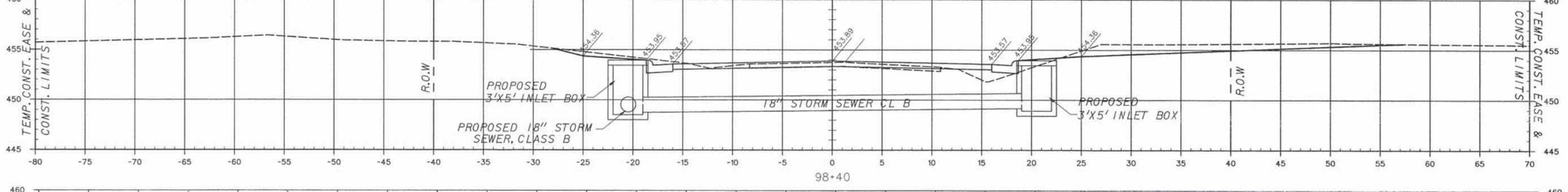
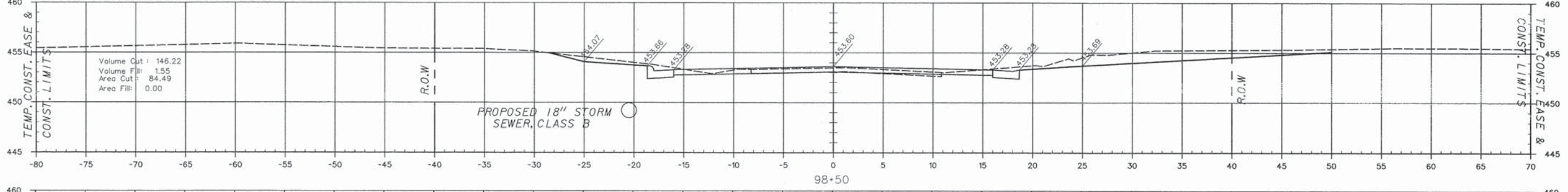
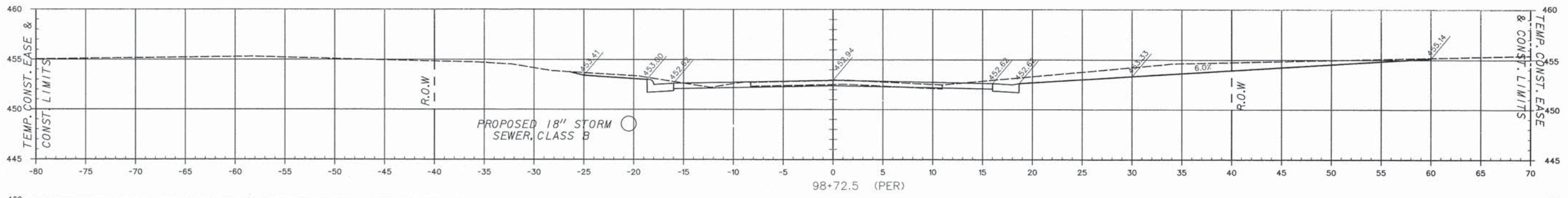


94+00

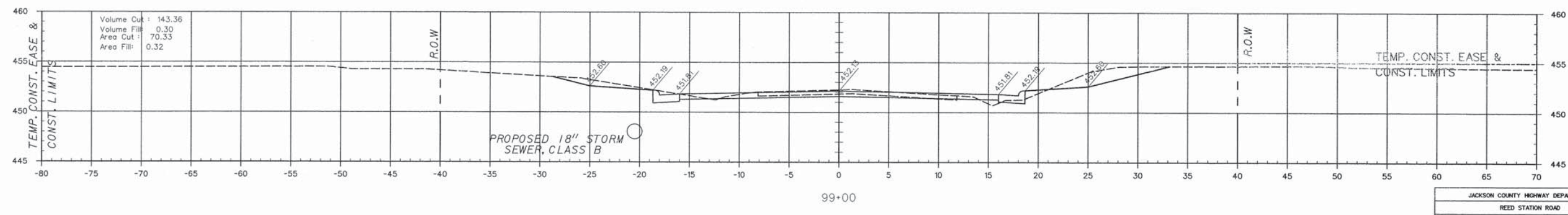
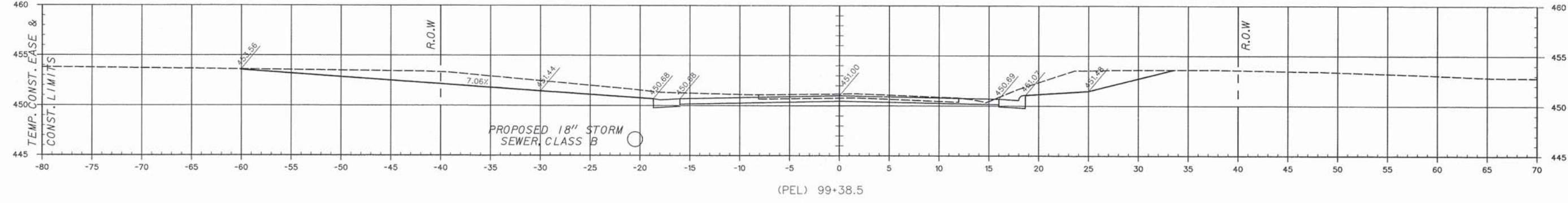
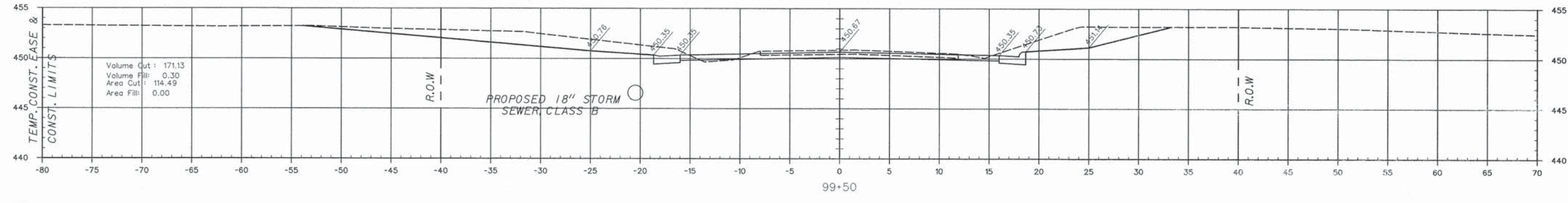
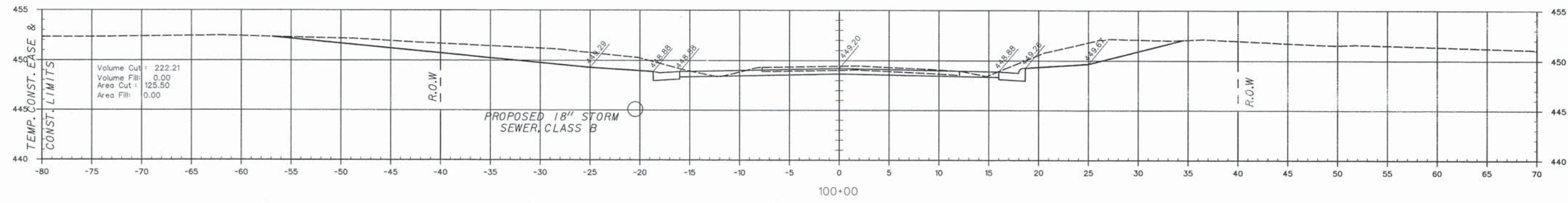
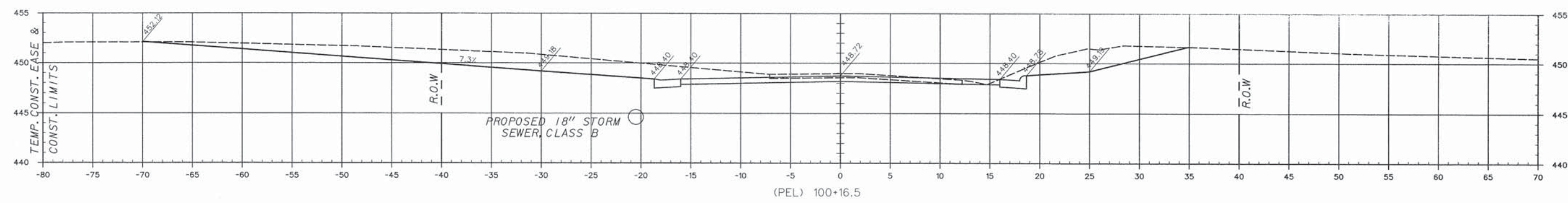
ROUTE	SECTION	COUNTY	TOWNSHIP	TOTAL SHEETS	SHEET NUMBER
FAU9732	09-0210-00-SP	JACKSON	CARBONDALE	126	116
JOB NO. C-99-539-09				PROJECT NO. HSP-007710561	
REED STATION ROAD				CONTRACT NO. 99363	



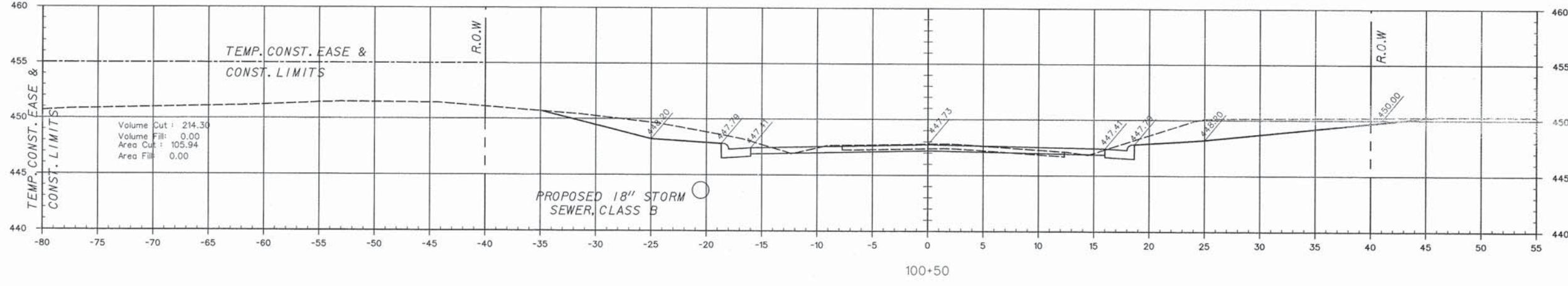
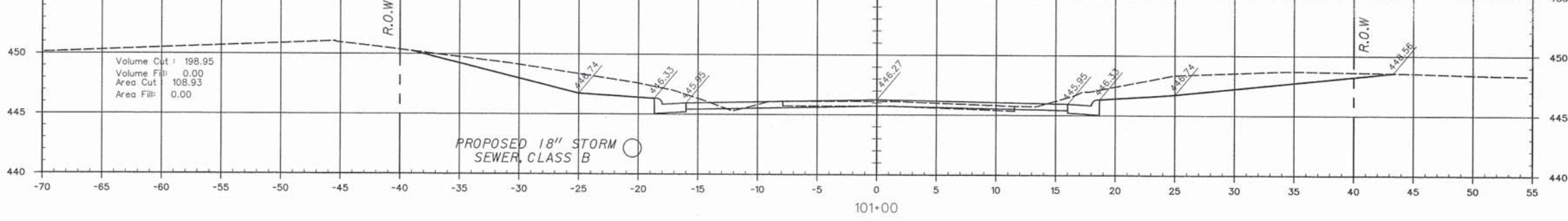
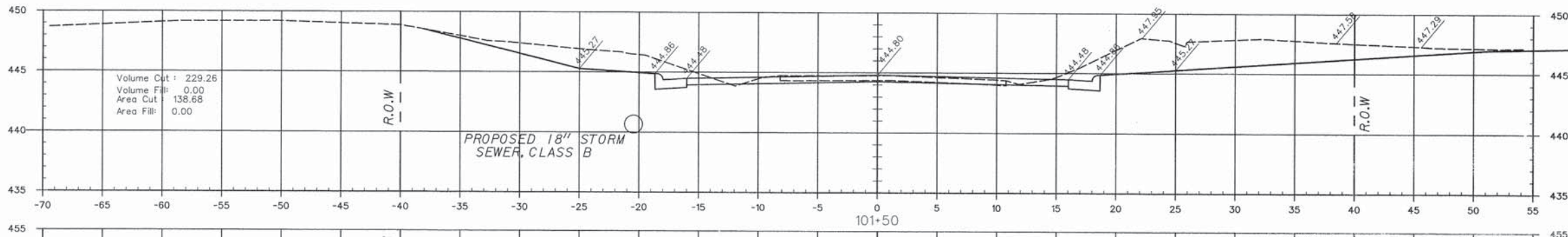
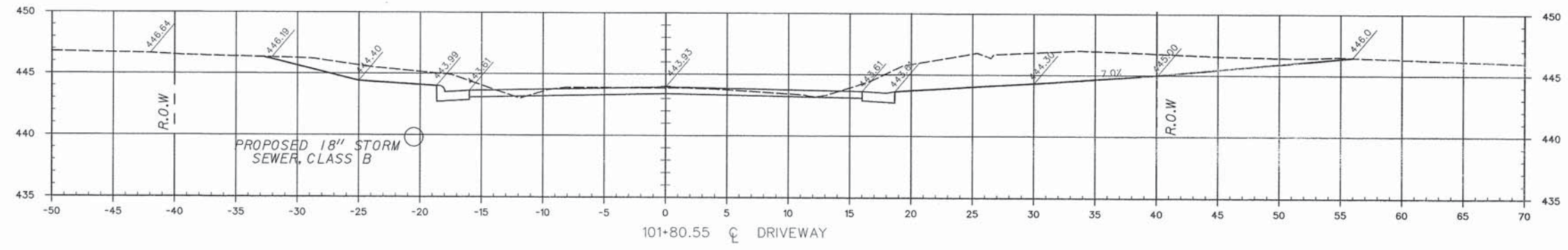
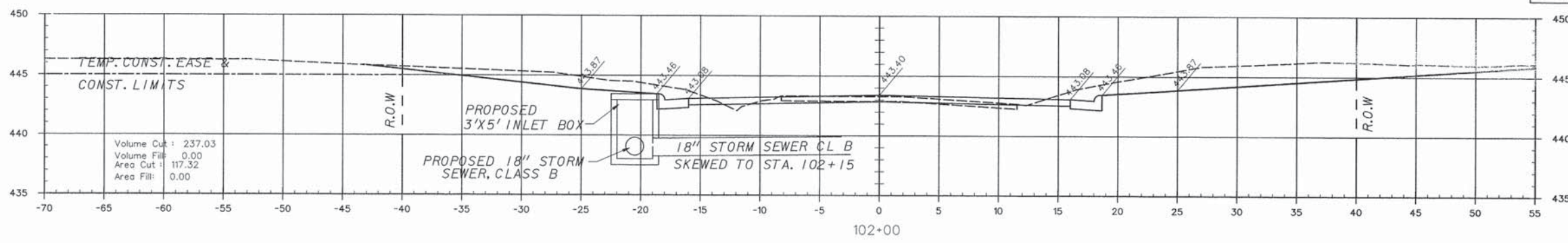
ROUTE	SECTION	COUNTY	TOWNSHIP	TOTAL SHEETS	SHEET NUMBER
FAU9732	09-0210-00-SP	JACKSON	CARBONDALE	126	117
JOB NO. C-99-539-09				PROJECT NO. HSR-0077(056)	
REED STATION ROAD				CONTRACT NO. 99363	



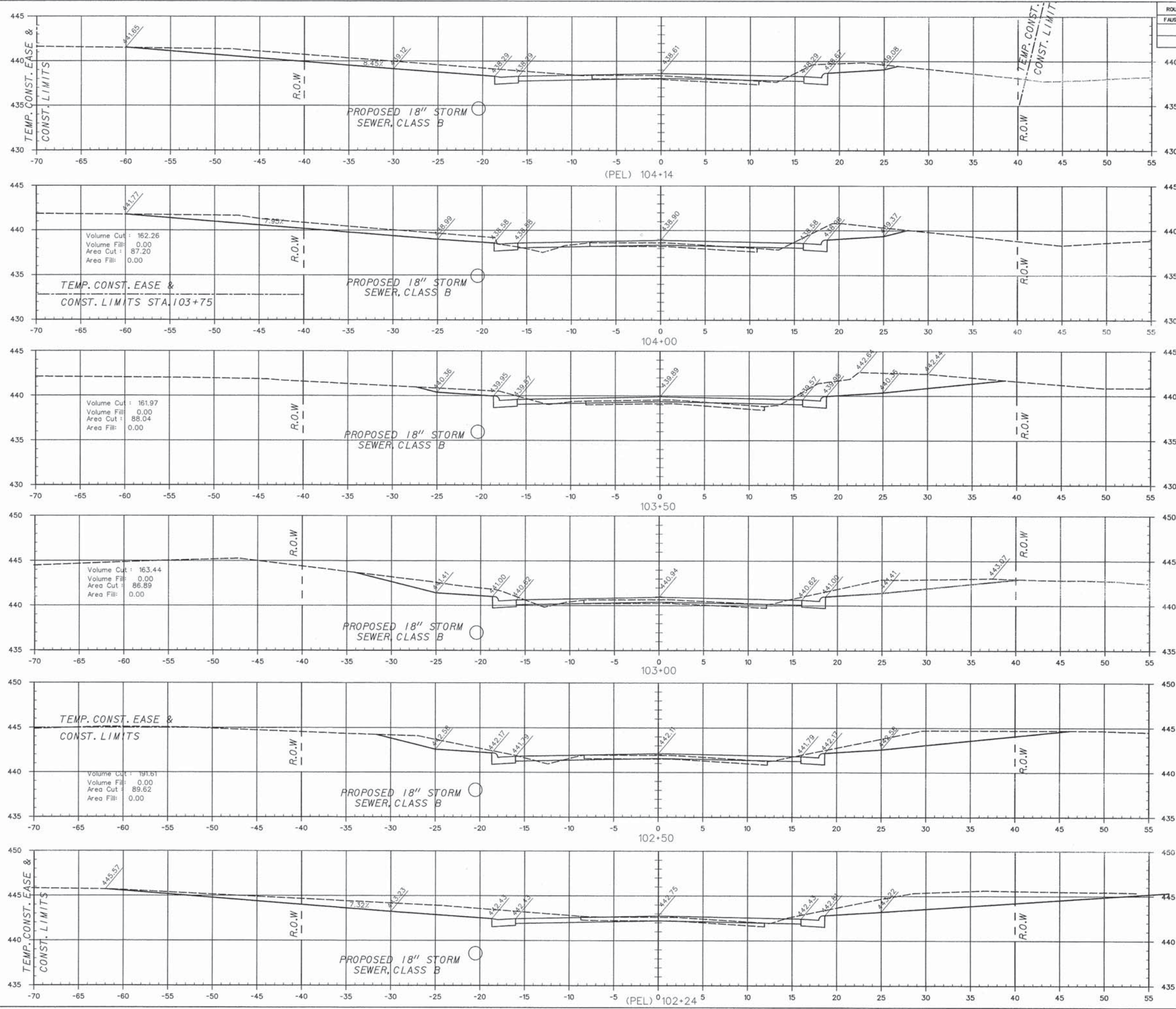
ROUTE	SECTION	COUNTY	TOWNSHIP	TOTAL SHEETS	SHEET NUMBER
FAU9732	09-02120-00-SP	JACKSON	CARBONDALE	126	116
JOB NO. C-99-539-09				PROJECT NO. HSP-0077(056)	
REED STATION ROAD				CONTRACT NO. 99363	



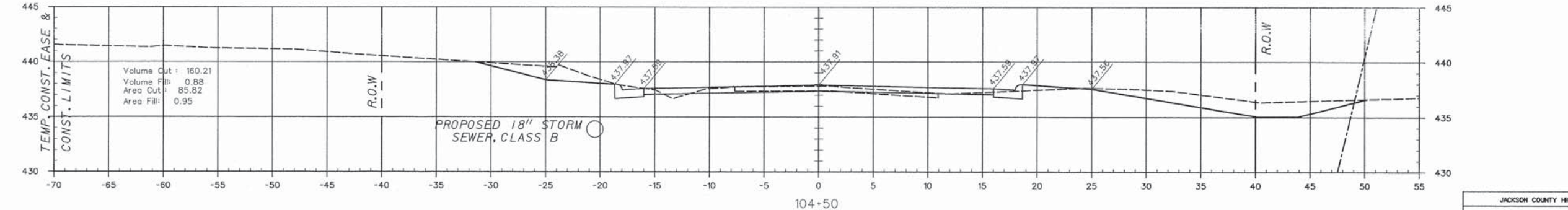
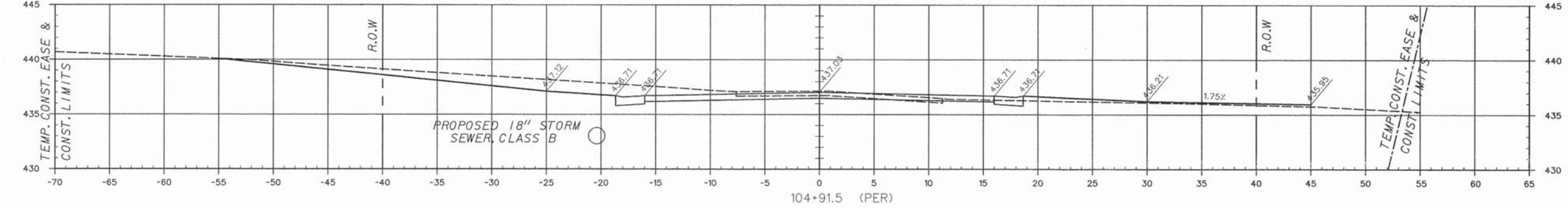
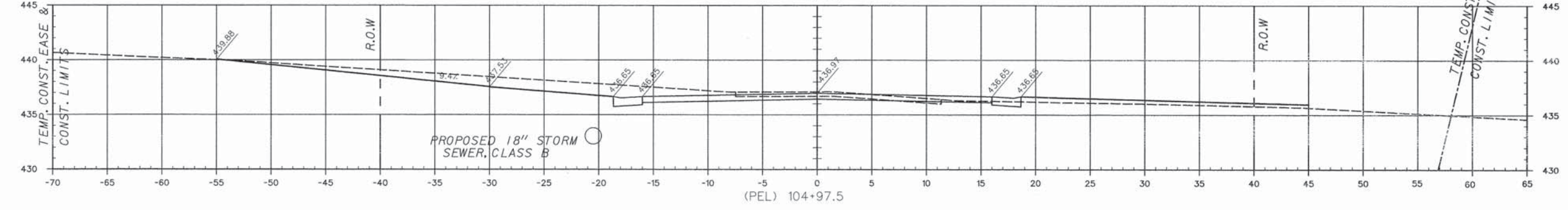
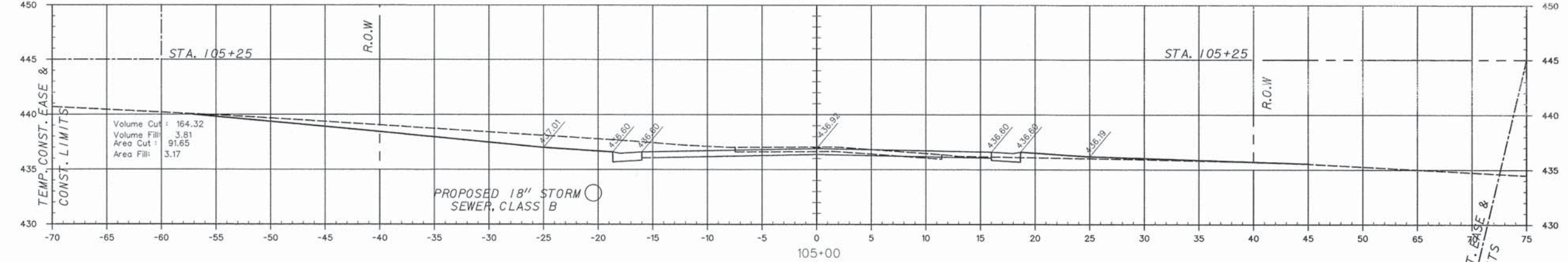
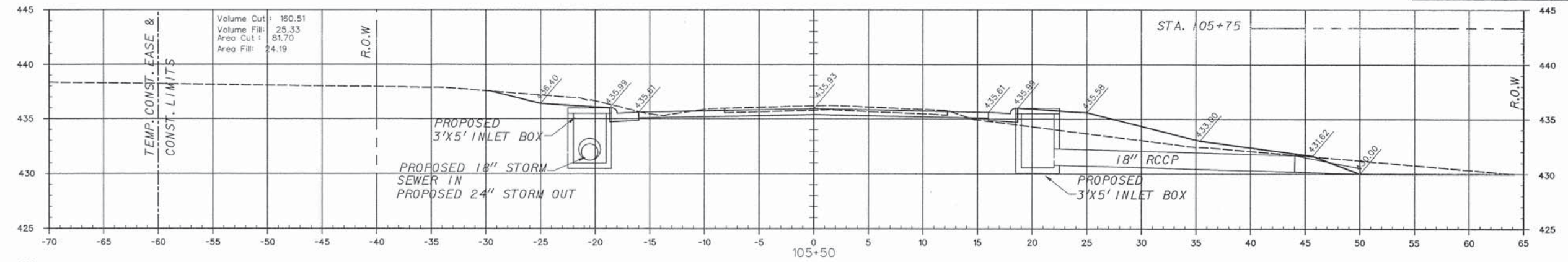
ROUTE	SECTION	COUNTY	TOWNSHIP	TOTAL SHEETS	SHEET NUMBER
FAU9732	09-02120-00-SP	JACKSON	CARBONDALE	126	119
JOB NO. C-99-539-09				PROJECT NO. HSP-0077(056)	
REED STATION ROAD				CONTRACT NO. 99363	



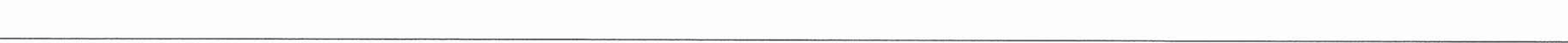
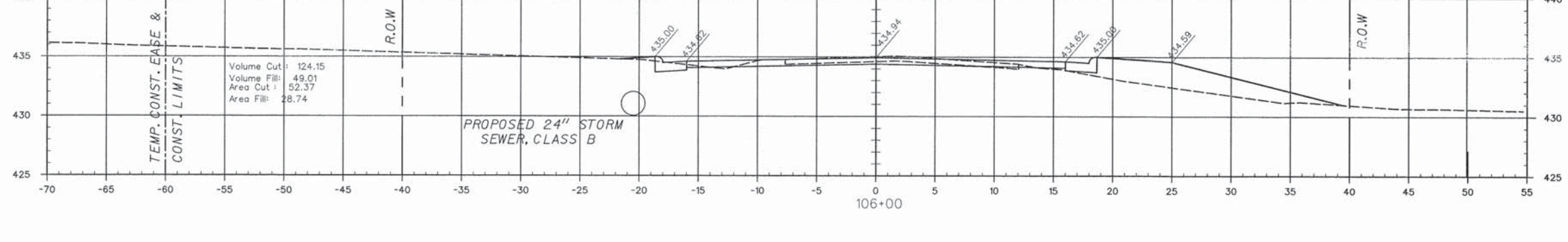
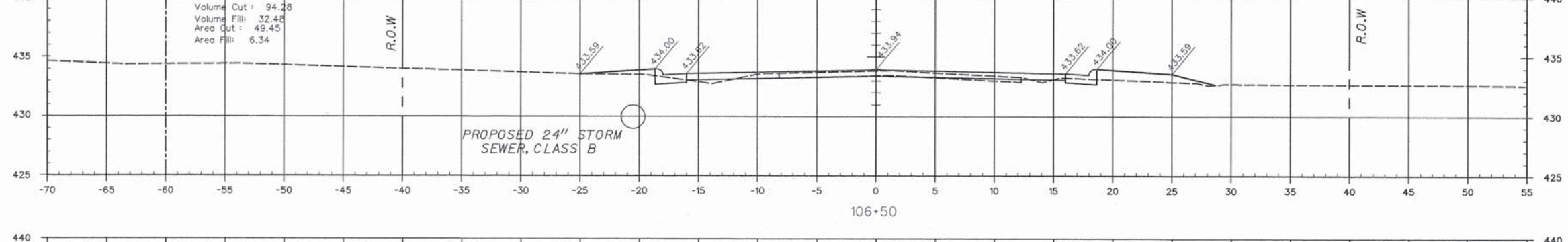
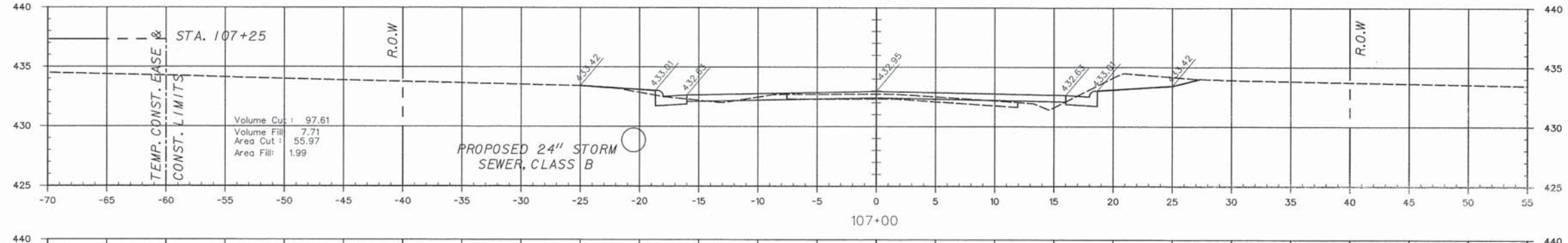
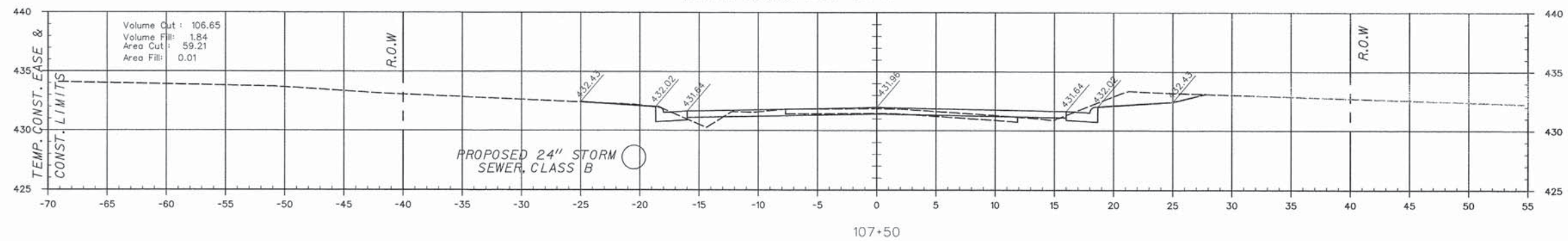
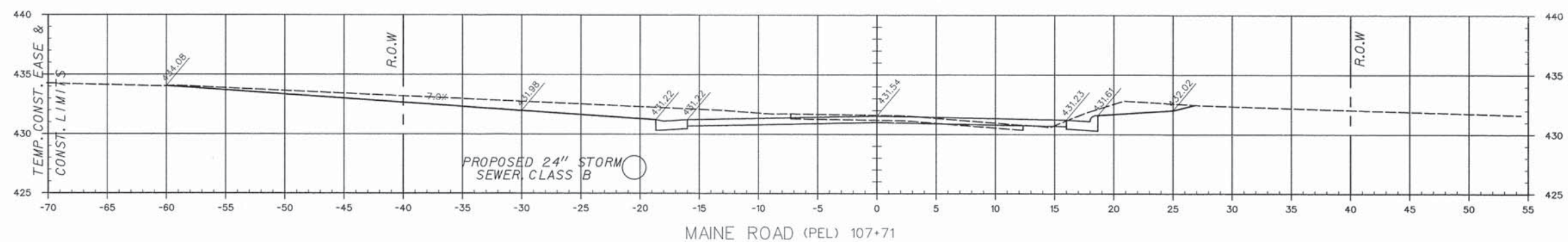
ROUTE	SECTION	COUNTY	TOWNSHIP	TOTAL SHEETS	SHEET NUMBER
FA09732	09-0210-00-SP	JACKSON	CHRONDALE	126	120
JOB NO. C-99-539-09				PROJECT NO. HSP-0077(056)	
REED STATION ROAD				CONTRACT NO. 99363	



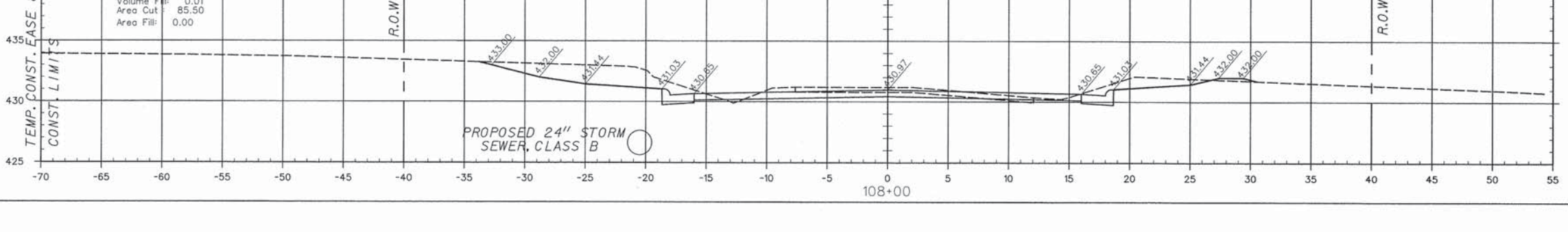
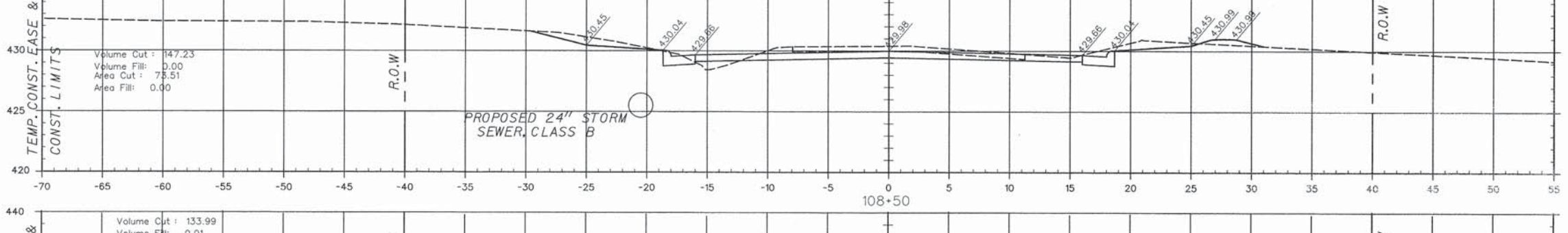
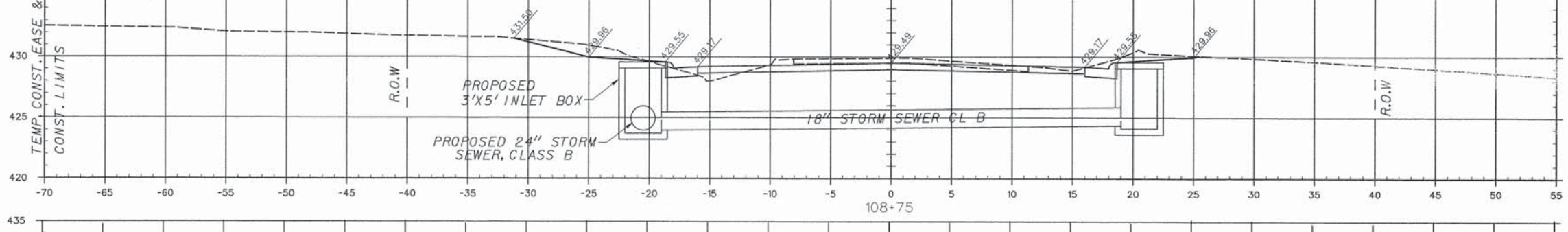
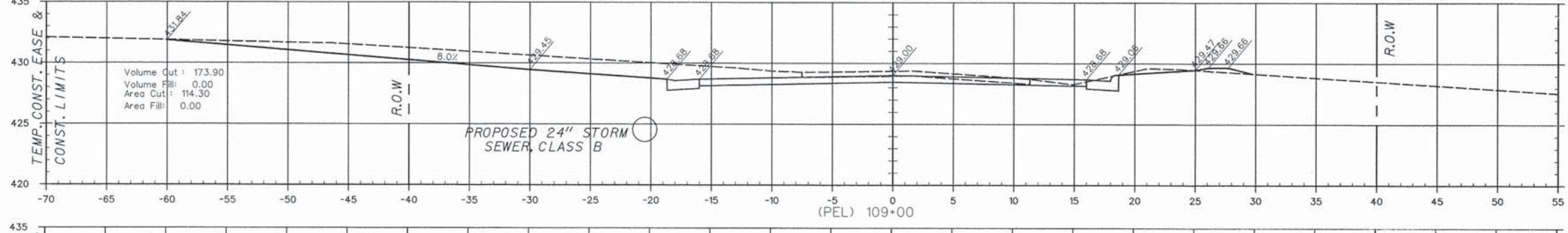
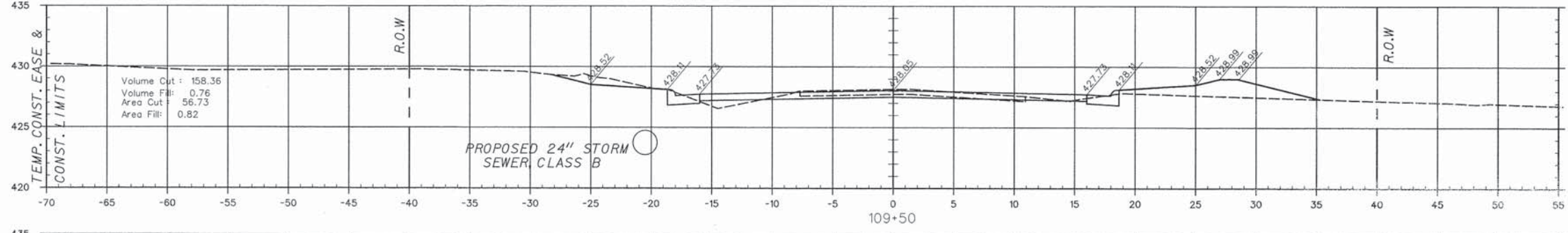
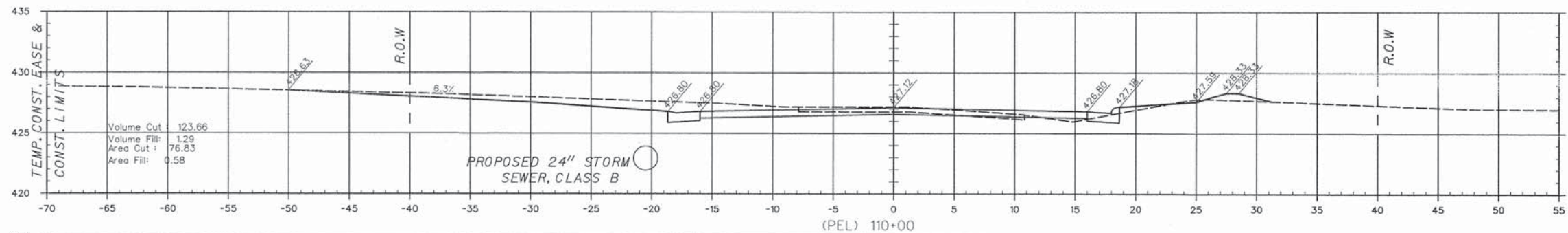
ROUTE	SECTION	COUNTY	TOWNSHIP	TOTAL SHEETS	SHEET NUMBER
FAU9732	09-02120-00-SP	JACKSON	CARDONDALE	126	121
JOB NO. C-99-539-09				PROJECT NO. HSR-0077(056)	
REED STATION ROAD				CONTRACT NO. 99363	



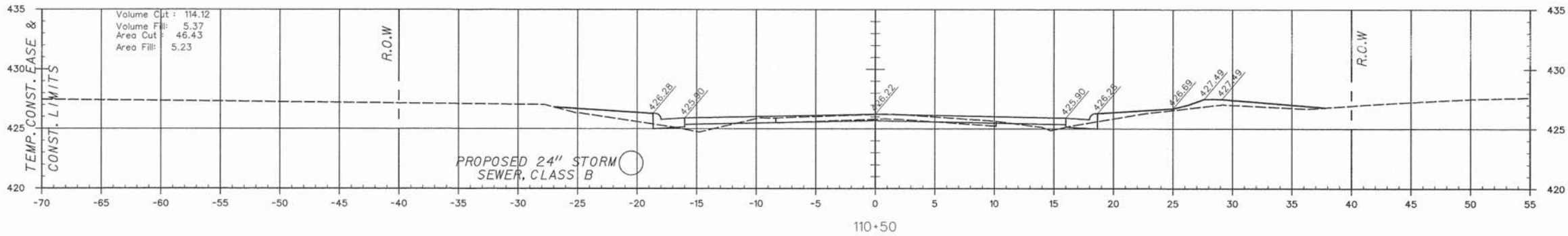
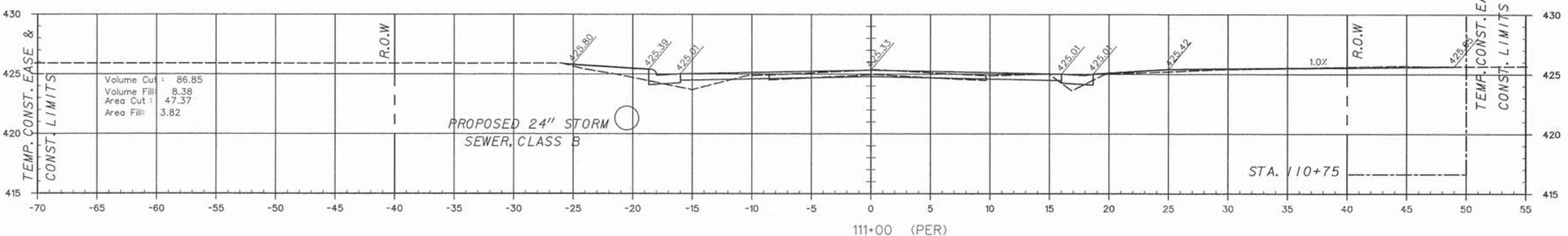
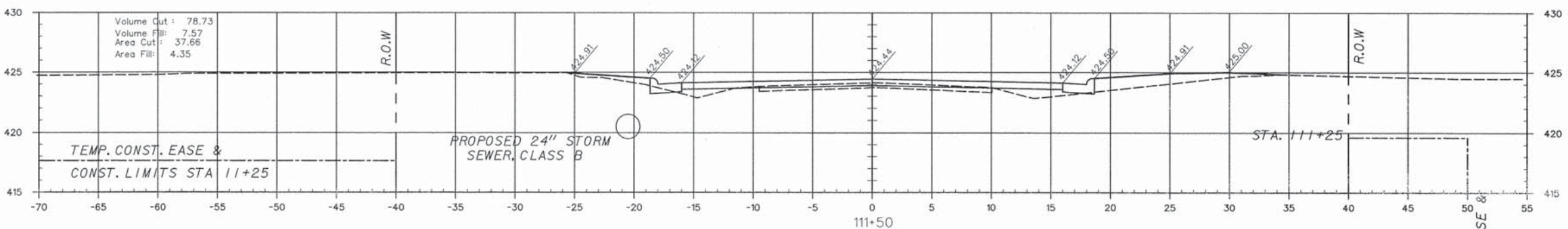
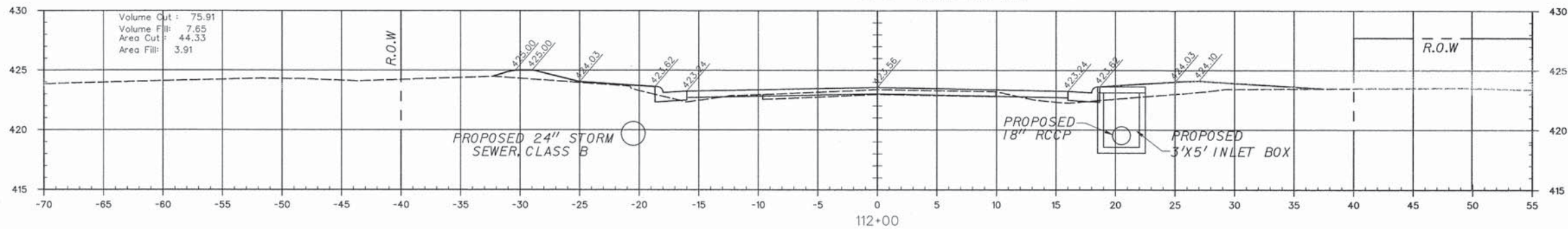
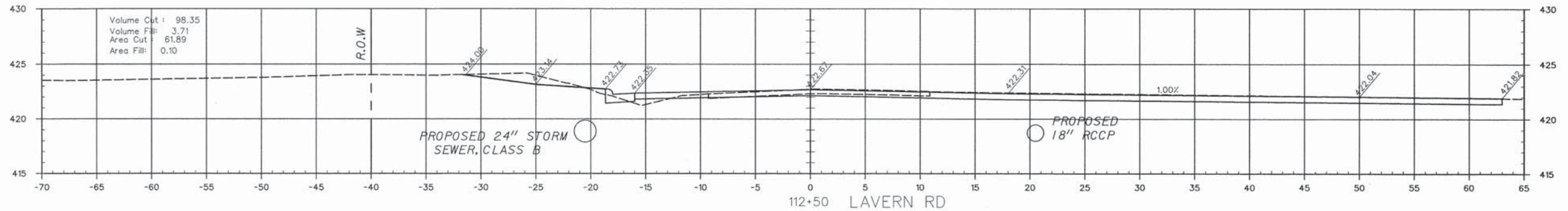
ROUTE	SECTION	COUNTY	TOWNSHIP	TOTAL SHEETS	SHEET NUMBER
FA19732	09-0210-00-SP	JACKSON	CARBONDALE	126	122
JOB NO. C-99-539-09				PROJECT NO. HSP-0077(056)	
REED STATION ROAD				CONTRACT NO. 99363	



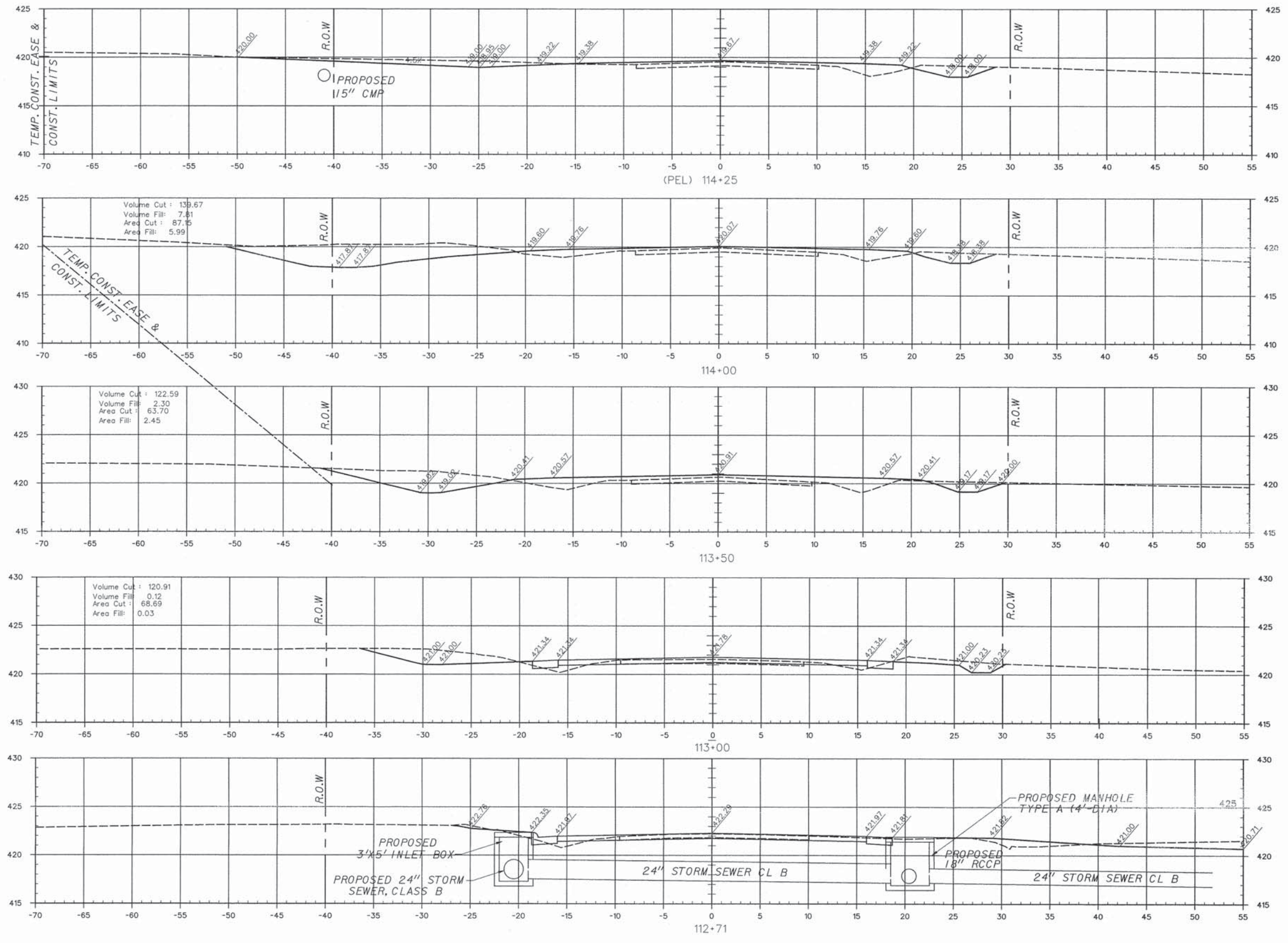
ROUTE	SECTION	COUNTY	TOWNSHIP	TOTAL SHEETS	SHEET NUMBER
FAU9732	09-02120-00-SP	JACKSON	CARBONDALE	126	123
JOB NO. C-99-539-09				PROJECT NO. HSP-0077(056)	
REED STATION ROAD				CONTRACT NO. 99363	



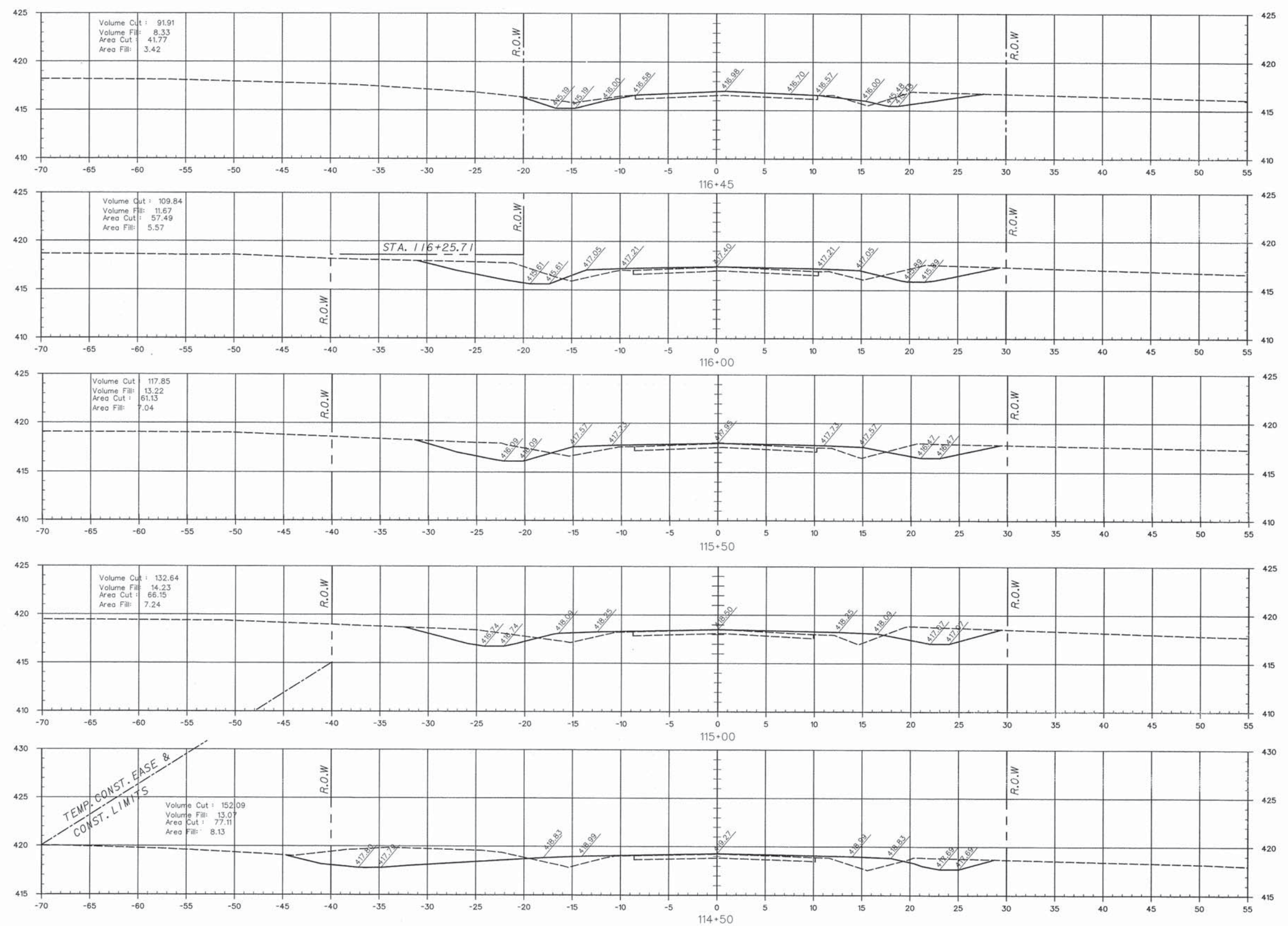
ROUTE	SECTION	COUNTY	TOWNSHIP	TOTAL SHEETS	SHEET NUMBER
FAU9732	09-0210-00-SP	JACKSON	CARBONDALE	126	124
JOB NO. C-99-539-09				PROJECT NO. HSP-00770561	
REED STATION ROAD				CONTRACT NO. 99363	



ROUTE	SECTION	COUNTY	TOWNSHIP	TOTAL SHEETS	SHEET NUMBER
FA19732	09-0210-00-SP	JACKSON	CARBONDALE	126	125
JOB NO. C-99-539-09				PROJECT NO. HSP-0077(056)	
REED STATION ROAD				CONTRACT NO. 99363	



ROUTE	SECTION	COUNTY	TOWNSHIP	TOTAL SHEETS	SHEET NUMBER
FAU9732	09-0210-00-SP	JACKSON	CARBONDALE	126	126
JOB NO. C-99-539-09				PROJECT NO. HSP-0077(056)	
REED STATION ROAD				CONTRACT NO. 99363	



TEMP. CONST. EASE &
CONST. LIMITS