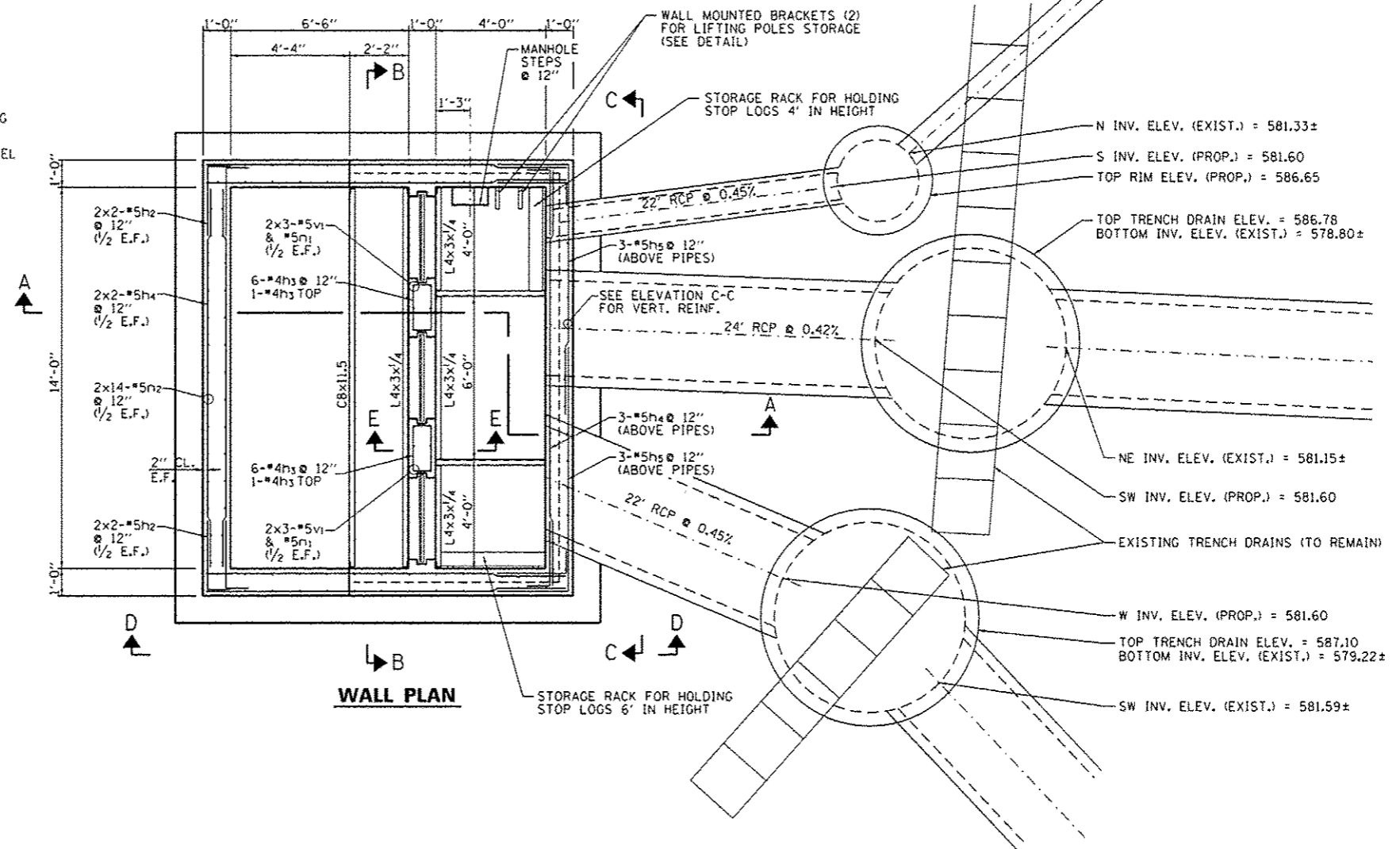
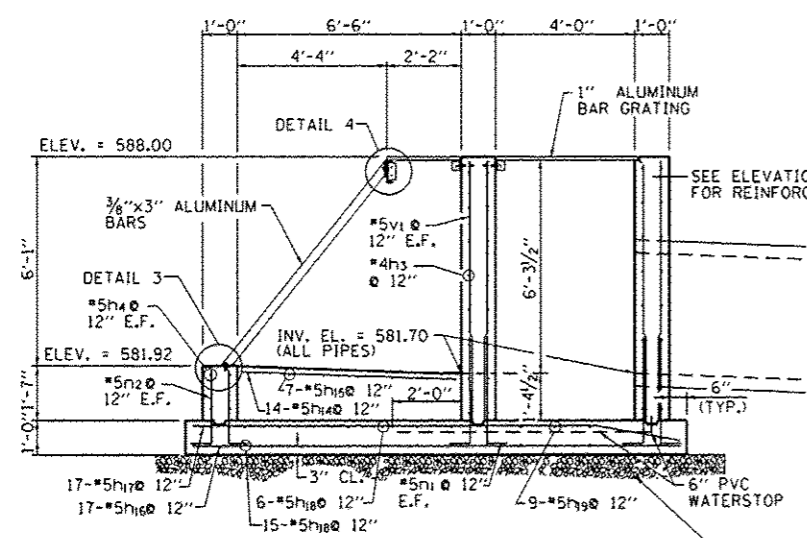


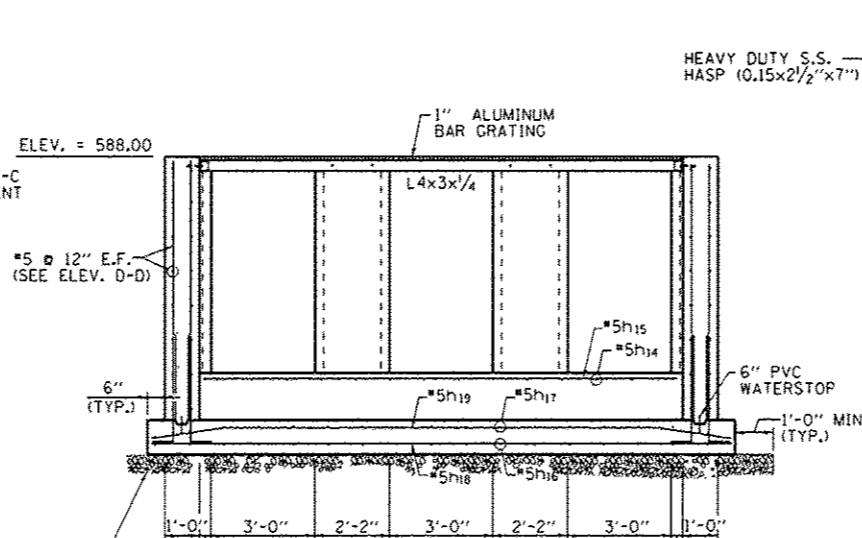
**TOP PLAN**



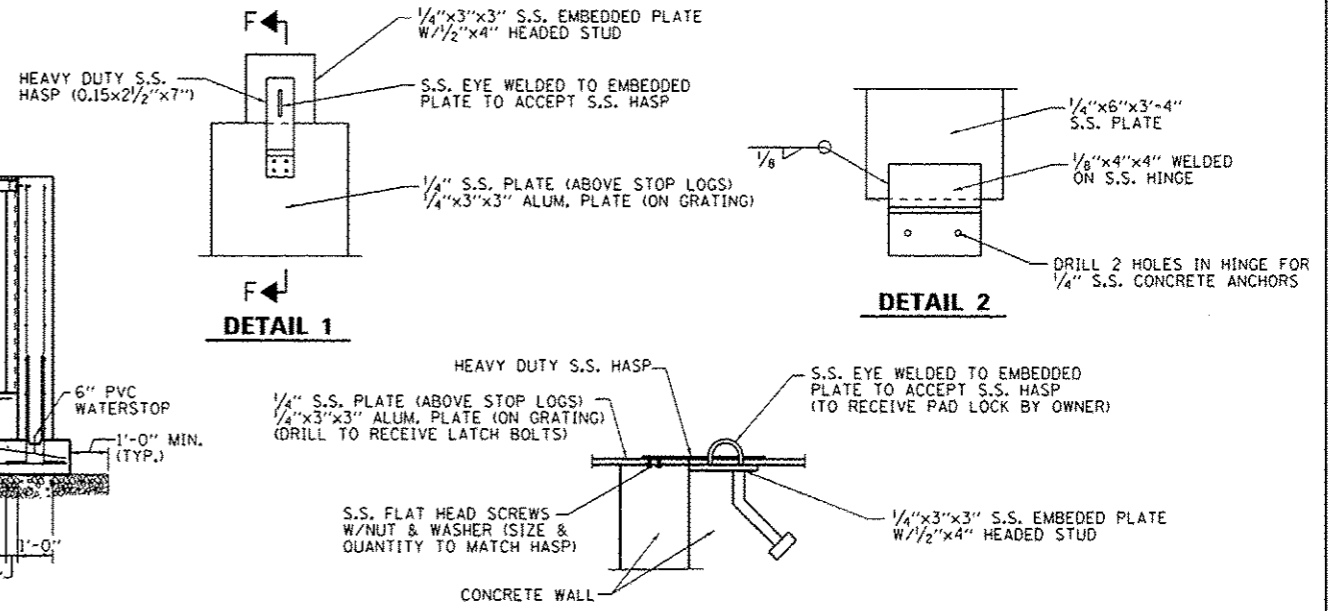
**WALL PLAN**



**SECTION A-A**



**SECTION B-B**



**SECTION F-F**

FILE NAME : L:\INDOT\1186610\WD_710-00\COOD_Sheets\01.CONSTR.REVISED.dgn	USER NAME : Matt Overbay	DESIGNED - BPD	REVISED -	STATE OF ILLINOIS DEPARTMENT OF TRANSPORTATION	DRAINAGE CONTROL STRUCTURE DETAIL - ELEMENT 1 IDNR ILLINOIS BEACH STATE PARK	F.A.P. RTE.	SECTION	COUNTY	TOTAL SHEETS	SHEET NO.		
Default	PLOT SCALE : 3/32" = 1'	DRAWN - GLD	REVISED -			N/A	PARK ROADS	LAKE	60	11		
	PLOT DATE : 2/1/2013	CHECKED - SPH	REVISED -			IDNR NO. 2-12-010						
		DATE - 2/1/2013	REVISED -			SCALE:	SHEET OF SHEETS	STA. TO STA.	ILLINOIS FED. AID PROJECT			
									CONTRACT NO. 46250			