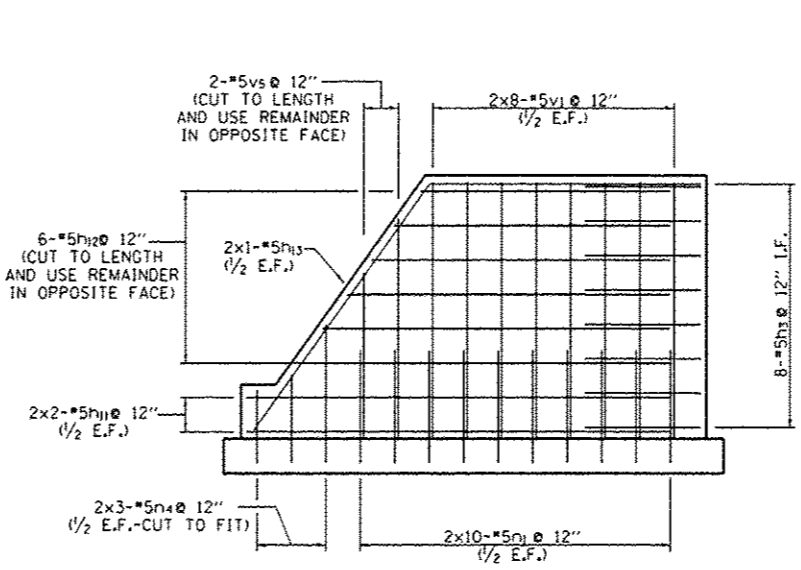
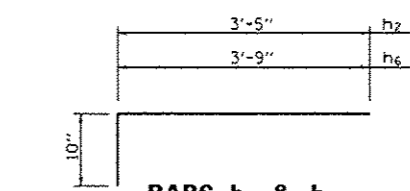


**WALL ELEVATION C-C**

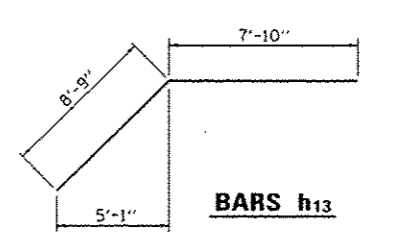
\*CUT TO FIT AT PIPE OPENINGS



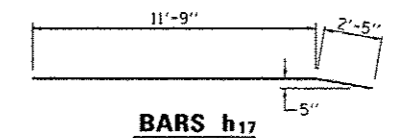
**WALL ELEVATION D-D**



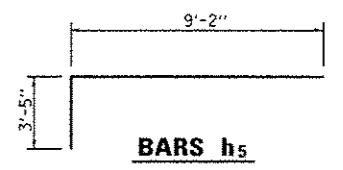
**BARS h2 & h6**



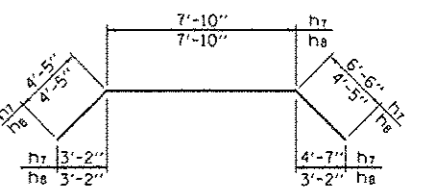
**BARS h13**



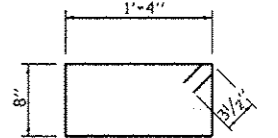
**BARS h17**



**BARS h5**



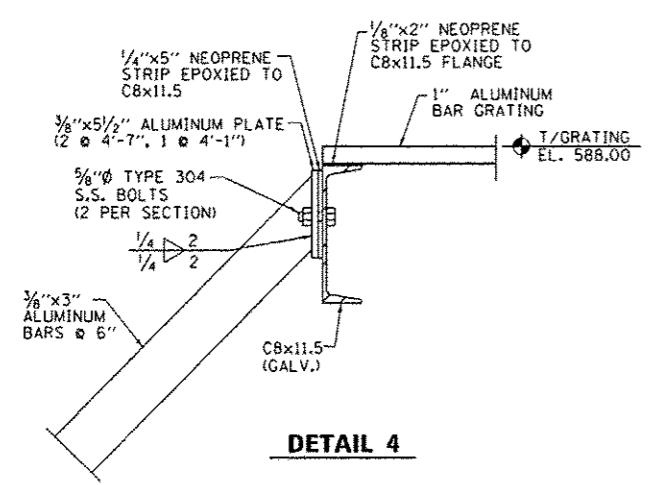
**BARS h7, & h8**



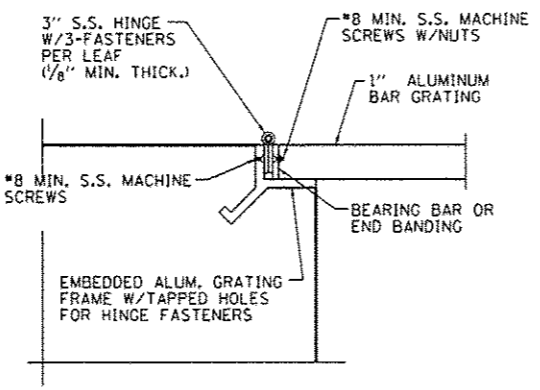
**BARS h3**

**BILL OF MATERIAL**

BAR	NO.	SIZE	LENGTH	SHAPE	
h2	50	#5	4'-3"	[Shape]	
h3	14	#4	4'-7"	[Shape]	
h4	13	#5	14'-0"	[Shape]	
h5	6	#5	12'-7"	[Shape]	
h6	8	#5	4'-7"	[Shape]	
h7	4	#5	18'-9"	[Shape]	
h8	4	#5	16'-8"	[Shape]	
h9	4	#5	7'-0"	[Shape]	
h10	2	#5	3'-0"	[Shape]	
h11	12	#5	12'-4"	[Shape]	
h12	12	#5	18'-0"	[Shape]	
h13	4	#5	16'-7"	[Shape]	
h14	14	#5	6'-2"	[Shape]	
h15	7	#5	13'-8"	[Shape]	
h16	17	#5	14'-2"	[Shape]	
h17	17	#5	14'-2"	[Shape]	
h18	21	#5	16'-10"	[Shape]	
h19	9	#5	16'-9"	[Shape]	
n1	84	#5	4'-3"	[Shape]	
n2	28	#5	3'-0"	[Shape]	
n4	12	#5	4'-10"	[Shape]	
v1	54	#5	7'-6"	[Shape]	
v3	16	#5	2'-8"	[Shape]	
v4	4	#5	4'-2"	[Shape]	
v5	4	#5	11'-10"	[Shape]	
REINFORCEMENT BARS				POUND	3505
CONCRETE STRUCTURES				CU. YD.	26.6
PVC WATERSTOP				LIN. FT.	30
STRUCTURAL STEEL				POUND	420
ALUMINUM TRASH RACK				POUND	360
ALUMINUM GRATING				SO. FT.	90
AGGREGATE BASE COURSE, TYPE A				CU. YD.	12

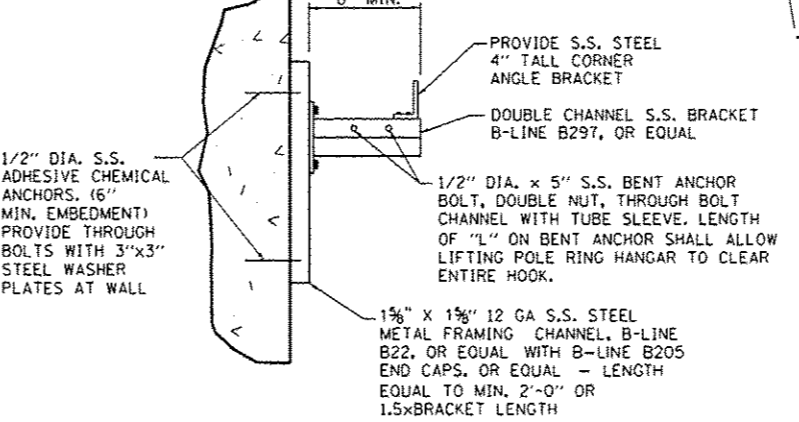


**DETAIL 4**



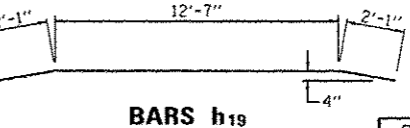
**GRATING HINGE DETAIL**

(2 LOCATIONS - 6 REQUIRED)

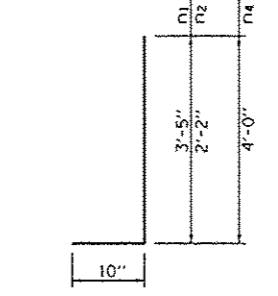


**WALL-MOUNTED BRACKETS FOR LIFTING POLES**

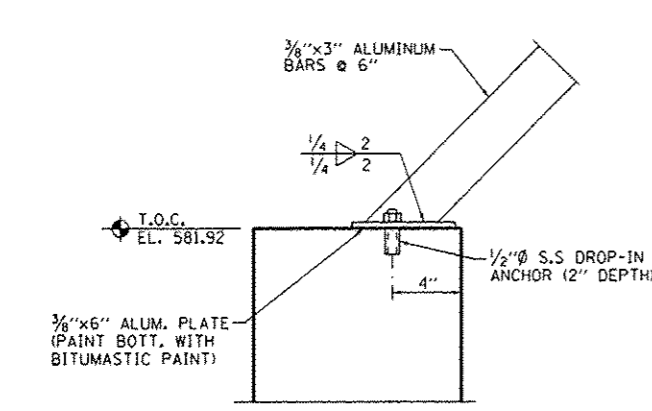
PROVIDE TWO WALL MOUNTED BRACKETS 10" APART AT THE LOCATION SHOWN ON PLANS FOR STORAGE OF LIFTING POLES



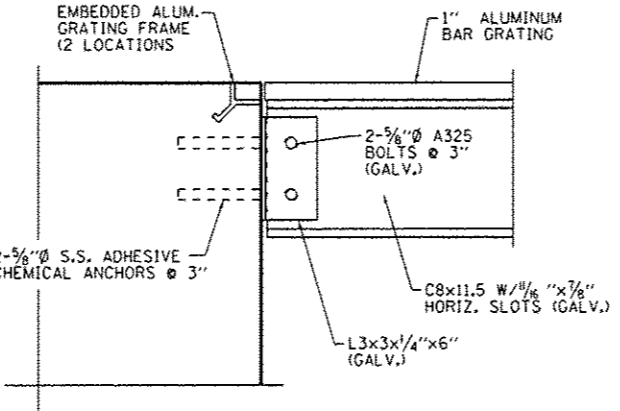
**BARS h19**



**BARS n1, n2 & n4**

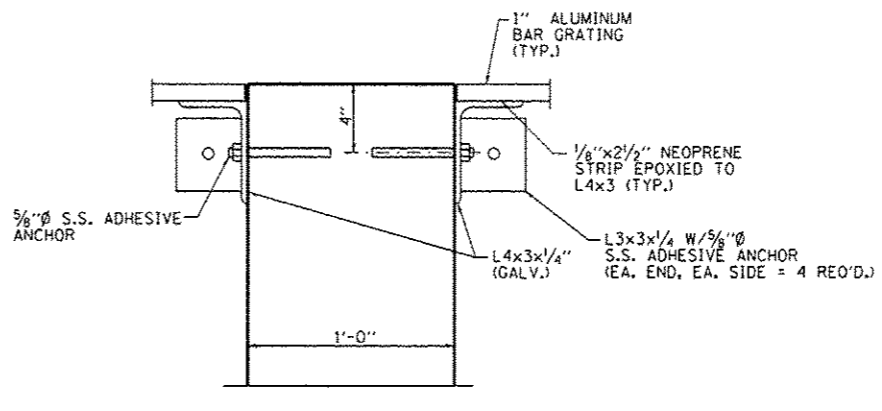


**DETAIL 3**



**STEEL TO CONCRETE CONN. DETAIL**

(6 LOCATIONS)



**SECTION E-E**

FILE NAME: L:\110107\110107\01\ADD_Sheets\110107_01\DRN2.CONSTR.REVISED.dgn	USER NAME: Matt Overbay	DESIGNED: BPD	REVISED:
PLLOT SCALE: 3.3312' / in.	CHECKED: SPH	DRAWN: GLD	REVISED:
PLLOT DATE: 2/1/2013	DATE: 2/1/2013		REVISED:

**STATE OF ILLINOIS  
DEPARTMENT OF TRANSPORTATION**

**DRAINAGE CONTROL STRUCTURE DETAIL - ELEMENT 1  
IDNR ILLINOIS BEACH STATE PARK**

F.A.P. RTE.:	SECTION:	COUNTY:	TOTAL SHEETS:	SHEET NO.:
N/A	PARK ROADS	LAKE	60	12
IDNR NO. 2-12-010		CONTRACT NO. 46250		
ILLINOIS FED. AID PROJECT				

ITEMS SHOWN ARE FOR INFORMATION ONLY. DRAINAGE CONTROL STRUCTURE WILL BE PAID FOR AS EACH FOR COMPLETED UNIT.