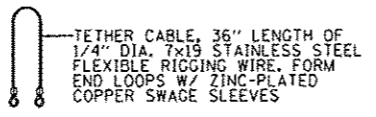
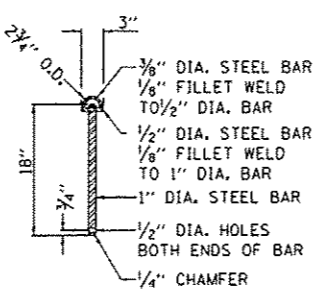


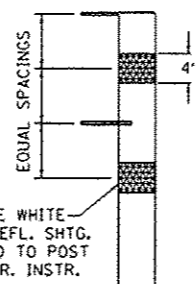
ELEVATION
SWING GATE TIE-BACK POST DETAILS
N.T.S.



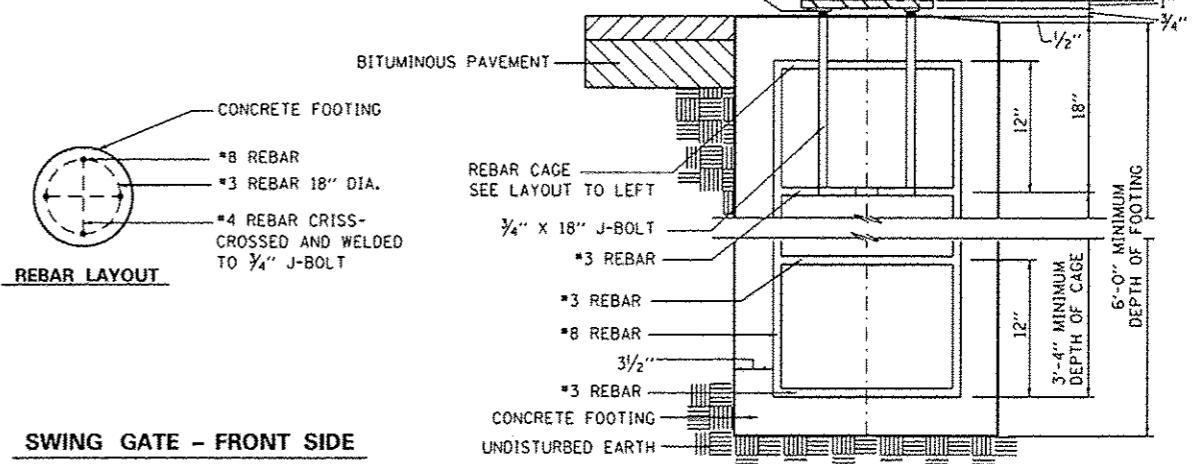
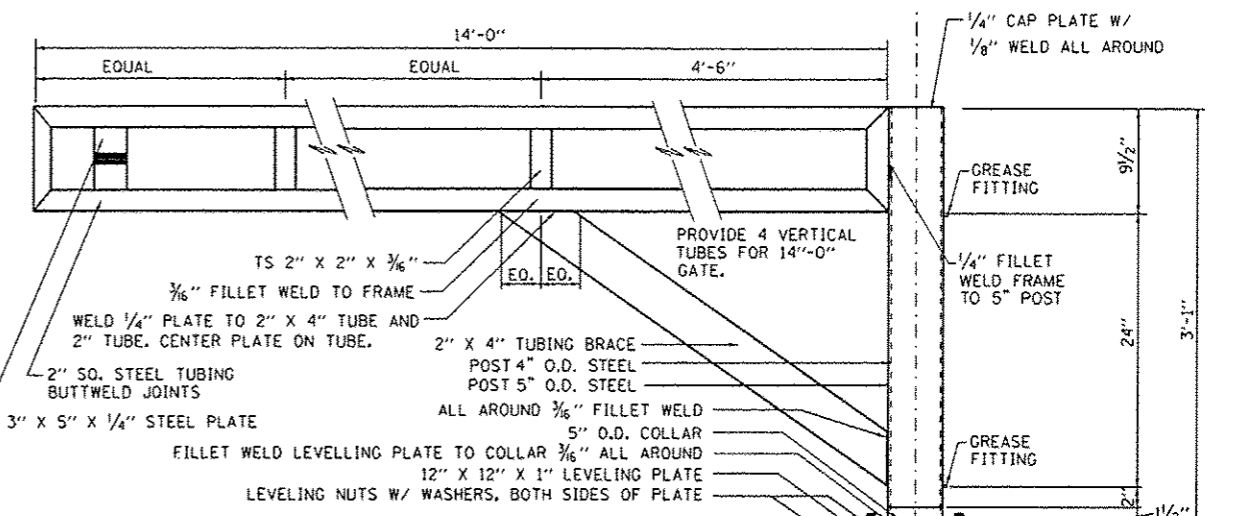
TIE-BACK PIN TETHER CABLE DETAIL



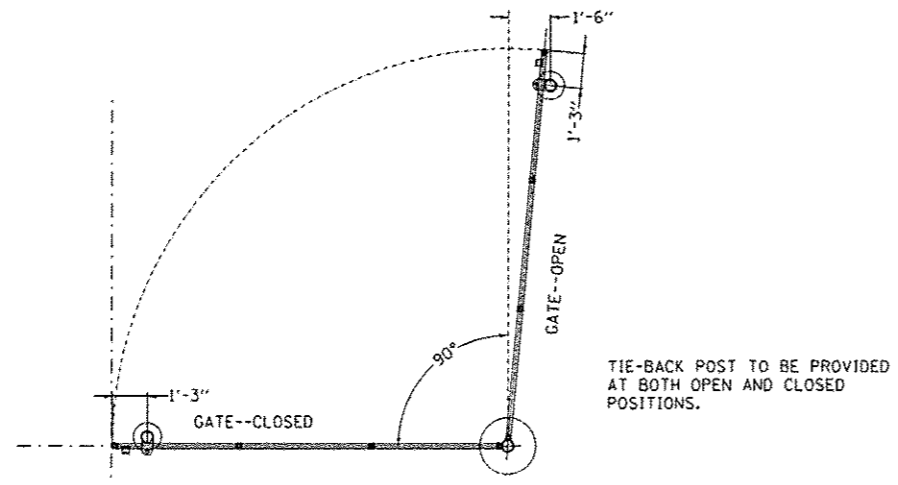
GATE TIE-BACK PIN DETAIL



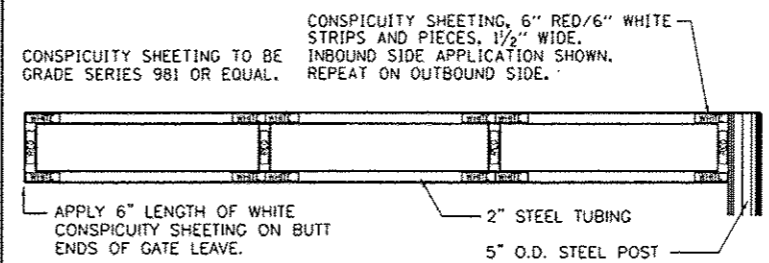
RETROREFLECTIVE SHEETING DETAIL



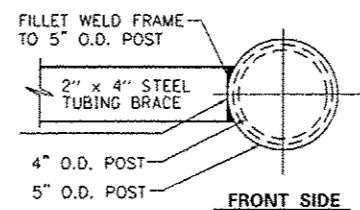
REBAR LAYOUT
SWING GATE - FRONT SIDE
REBAR ELEVATION/SECTION
N.T.S.



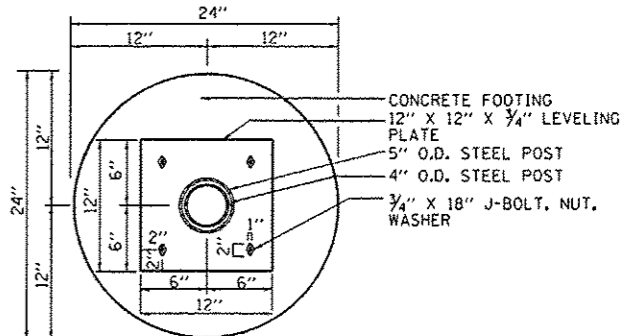
SWING GATE TIE-BACK POST
SITE PLAN
N.T.S.



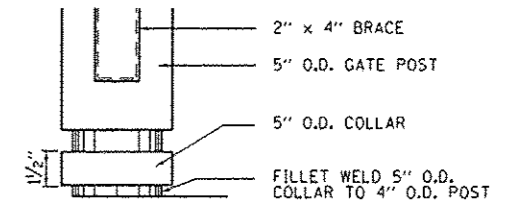
REFLECTOR LAYOUT
INBOARD AND OUTBOUND SIDES TO MATCH
N.T.S.



HINGE POST
SECTION
N.T.S.



FOOTING PLAN
N.T.S.



POST, SLEEVE & COLLAR
ELEVATION
N.T.S.

FILE NAME :	USER NAME :	DESIGNED :	REVISED :
L:\1007\110661\100_7\100_0\1000_Sheets\1007_10_SCSDE Tail.dgn	Mott Overbay	CPD	-
		DRAWN :	REVISED :
		CPD	-
		CHECKED :	REVISED :
		MJO	-
		DATE :	REVISED :
		2/1/2013	-

STATE OF ILLINOIS
DEPARTMENT OF TRANSPORTATION

SWING GATE DETAILS			
IDNR ILLINOIS BEACH STATE PARK			
SCALE:	SHEET	OF SHEETS	STA. TO STA.

F.A.P. RTE.	SECTION	COUNTY	TOTAL SHEETS	SHEET NO.
N/A	PARK ROADS	LAKE	60	59
IDNR NO. 2-12-010			CONTRACT NO. 46250	
ILLINOIS FED. AID PROJECT				