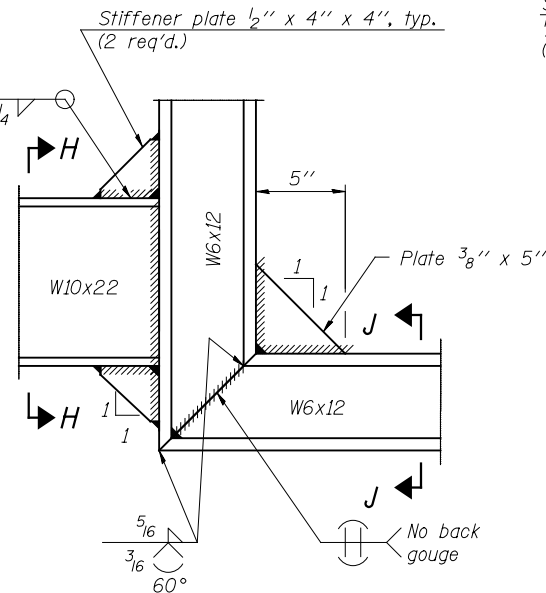
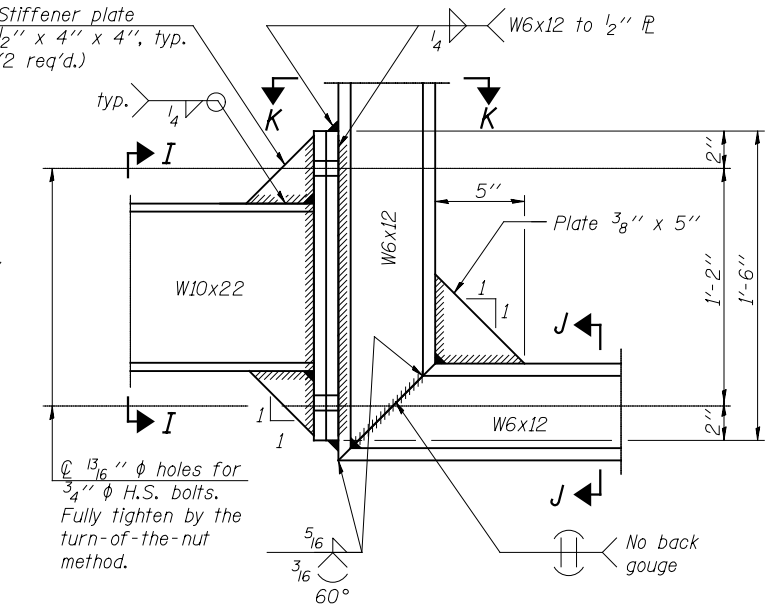


DETAIL A

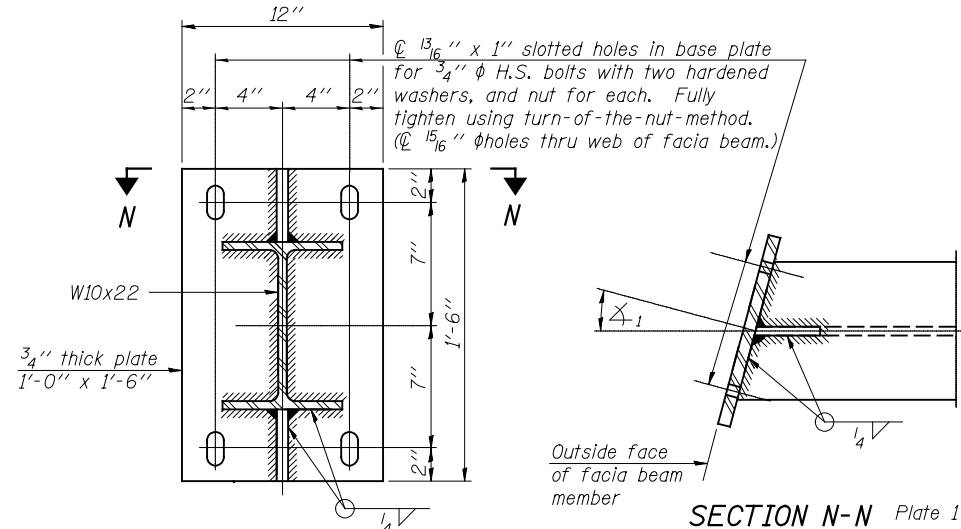
SECTION G-G



DETAIL B - WELDED W10x22 TO W6x12 CONNECTION

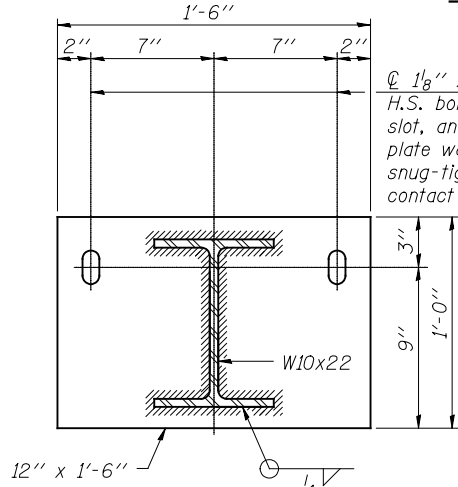


DETAIL B - ALTERNATE BOLTED W10x22 TO W6x12 CONNECTION

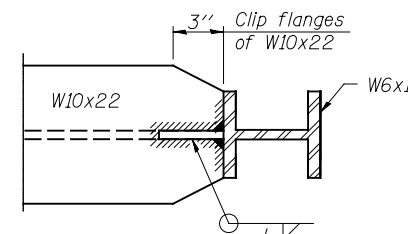


SECTION C-C

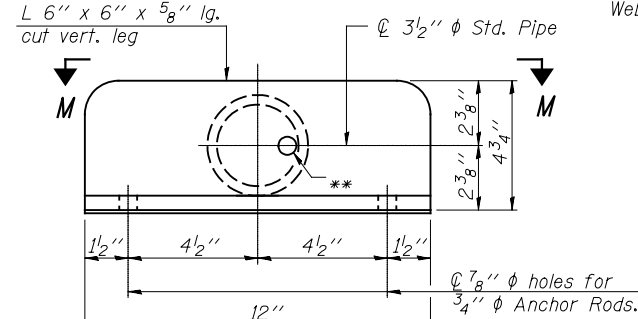
SECTION N-N



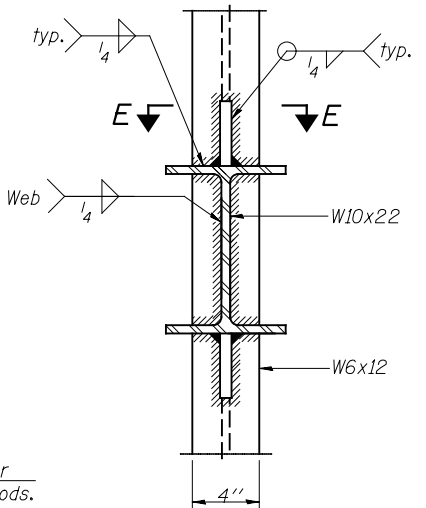
SECTION D-D



SECTION E-E



VIEW F-F

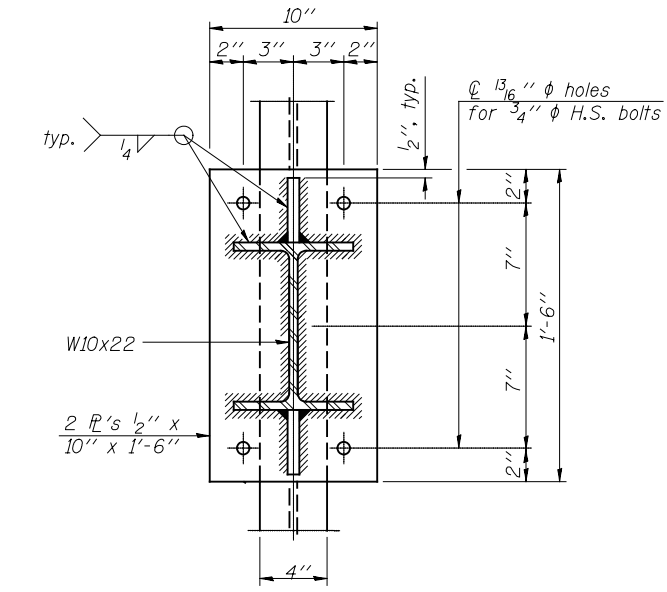


SECTION H-H

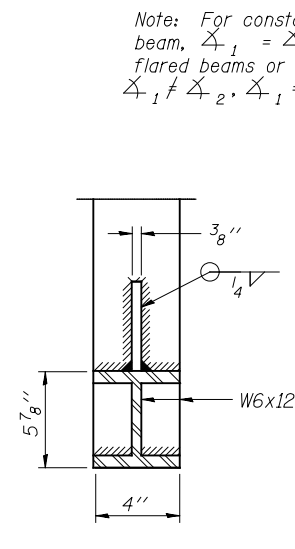
Steel beam or girder connection plate details

Concrete beam or girder connection plate details.

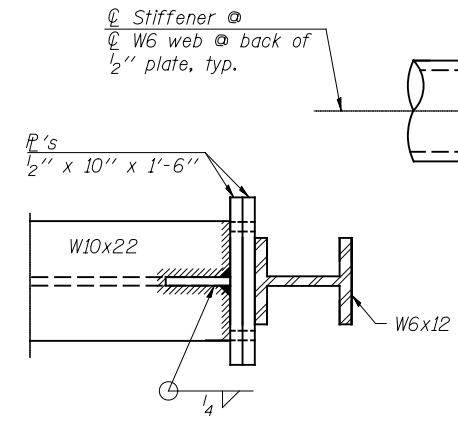
** 13/16 inch holes for galvanizing. After galvanizing, install 7/8 inch A307 hot-dip galvanized bolt to close hole in angle. (No bolt required in 1/2 inch plate.)



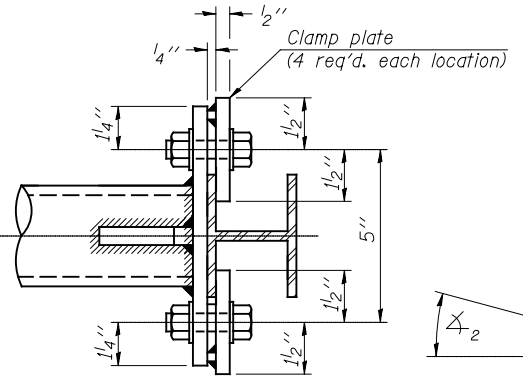
SECTION I-I



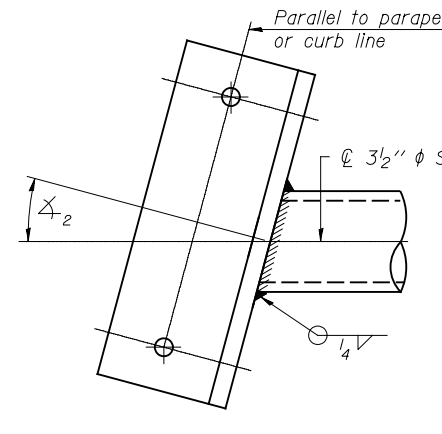
SECTION J-J



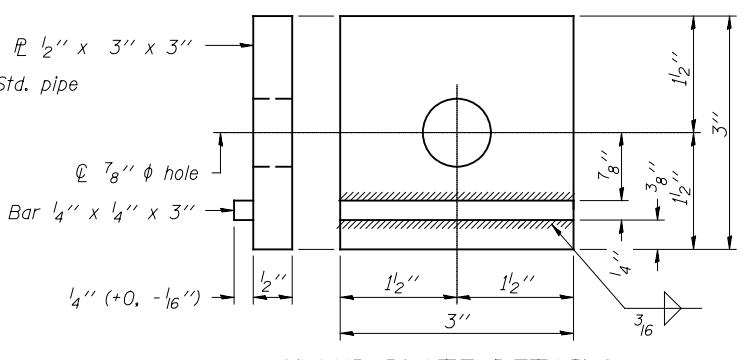
SECTION K-K



SECTION L-L



SECTION M-M



CLAMP PLATE DETAILS

BM-3

6-1-12

	PATRICK ENGINEERING INC. 4970 VARSITY DRIVE LISLE, IL 60532 patrickengineering.com	USER NAME = DRAWN - CPK CHECKED - JAH DATE - 2/18/2013	DESIGNED - RLD REVISIONS:
	PLOT SCALE =	REVISIONS:	
	PLOT DATE =	REVISIONS:	
	PLOT DATE =	REVISIONS:	

STATE OF ILLINOIS
DEPARTMENT OF TRANSPORTATION

BRIDGE MOUNTED SIGN STRUCTURE
CONNECTION DETAILS

SCALE: SHEET NO. SGN-10 OF 10 SHEETS

F.A.U. RTE. 2746	SECTION 1616B	COUNTY COOK	TOTAL SHEETS 404	SHEET NO. 154
CONTRACT NO. 60J14			ILLINOIS FED. AID PROJECT	