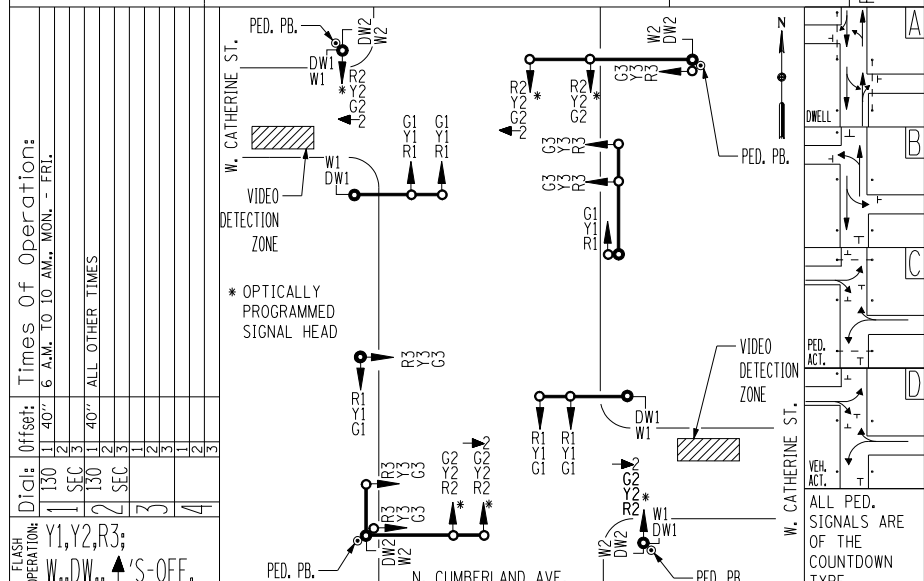
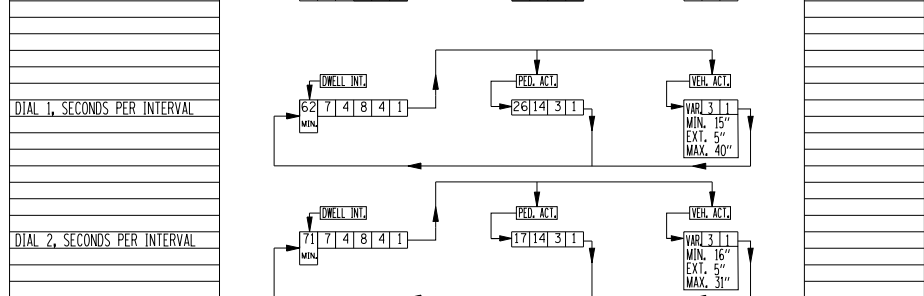


DRAWN: G.R.  
 DATE: 07-23-2012  
 CHECKED: C.L.K.  
 DATE: 07-30-2012

CITY OF CHICAGO  
 DEPARTMENT OF TRANSPORTATION  
 TRAFFIC SIGNAL TIMING SCHEDULE  
 5400 N. / 8400 W.  
 N. CUMBERLAND AVE. & W. CATHERINE ST.

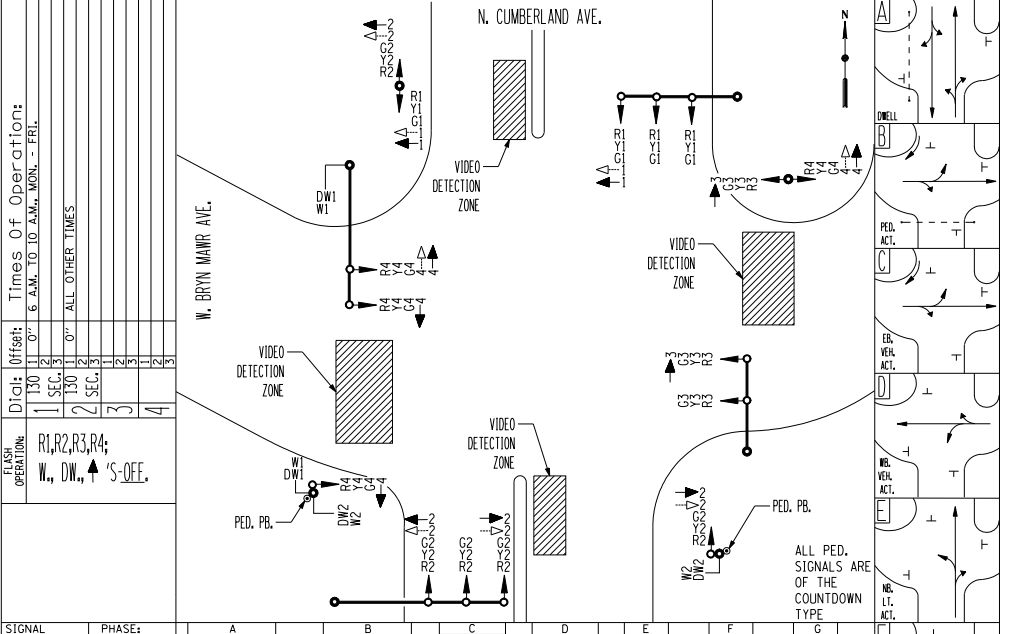


| SIGNAL INDICATIONS:               | PHASE: | INTERVAL: |
|-----------------------------------|--------|-----------|
| CUMBERLAND AVE. (NB./SB. EXT.) G1 | Y1     |           |
| " " " " " " R1                    | Y2     |           |
| CUMBERLAND AVE. (NB./SB. INT.) G2 | Y3     |           |
| " " " " " " R2                    | Y3     |           |
| CATHERINE ST. (EB./WB.) G3        | Y3     |           |
| " " " " " " R3                    | Y3     |           |
| WALK (NB./SB.) W1                 | DW1    |           |
| DON'T WALK " " " " " " W2         | DW2    |           |
| WALK (EB./WB.) W2                 | DW2    |           |
| DON'T WALK " " " " " " W2         | DW2    |           |

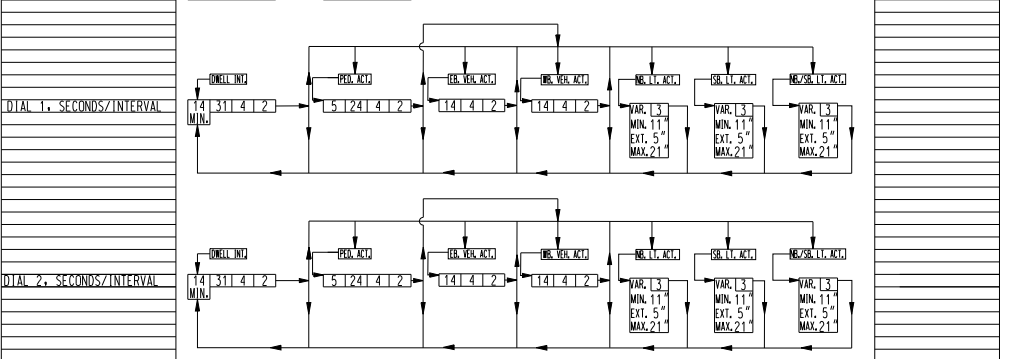


BoE1, Drwg. No. 23616

DRAWN: G.R.  
 DATE: 07-23-2012  
 CHECKED: C.L.K.  
 DATE: 07-30-2012



| SIGNAL INDICATIONS:       | PHASE: | INTERVAL: |
|---------------------------|--------|-----------|
| CUMBERLAND AVE. (NB.) G1  | Y1     |           |
| " " " " " " R1            | Y2     |           |
| CUMBERLAND AVE. (SB.) G2  | Y3     |           |
| " " " " " " R2            | Y4     |           |
| BRYN MAWR AVE. (EB.) G3   | Y5     |           |
| " " " " " " R3            | Y6     |           |
| BRYN MAWR AVE. (WB.) G4   | Y7     |           |
| " " " " " " R4            | Y8     |           |
| WALK (W. XWALK) W1        | DW1    |           |
| DON'T WALK " " " " " " W2 | DW2    |           |



BoE1, Drwg. No. 22908

| DATE   | REVISION                              |
|--|---------------------------------------|
|  |                                       |
| SUPERSEDES DRAWING NO.: 23396 DATED: 10-14-1982                                      |                                       |
| <b>PROPOSED TRAFFIC SIGNAL TIMING SCHEDULES</b>                                      |                                       |
| CITY OF CHICAGO<br>DEPARTMENT OF TRANSPORTATION<br>DIVISION OF ELECTRICAL OPERATIONS |                                       |
| DRAFTSMAN:   | CHIEF DRAFTSMAN: ENGINEER: R. SWANSON |
| SUPERVISING ENGINEER: ELEC. DESIGN ENGR.   | <b>DWG. NO.</b>                       |
| ENGINEER OF ELECTRICITY:   |                                       |
| GEN'L SUPT. OF ELECTRICITY:  |                                       |
| DEPUTY COMMISSIONER:   |                                       |

|              |                   |           |
|--------------|-------------------|-----------|
| USER NAME =  | DESIGNED - GR     | REVISED - |
| PLOT SCALE = | DRAWN - GR        | REVISED - |
| PLOT DATE =  | CHECKED - CG      | REVISED - |
|              | DATE - 12-10-2012 | REVISED - |



STATE OF ILLINOIS  
 DEPARTMENT OF TRANSPORTATION

PROPOSED TRAFFIC SIGNAL TIMING SCHEDULES  
 SCALE: AS NOTED SHEET NO. OF SHEETS STA. TO STA.

|                           |                 |               |
|---------------------------|-----------------|---------------|
| SIZE:                     | SCALE: AS NOTED | DATE:         |
| F.A.U. RTE. 2746          | SECTION 1616B   | COUNTY COOK   |
| TOTAL SHEETS 404          |                 | SHEET NO. 217 |
| CONTRACT NO. 60J14        |                 |               |
| ILLINOIS FED. AID PROJECT |                 |               |

TS-58