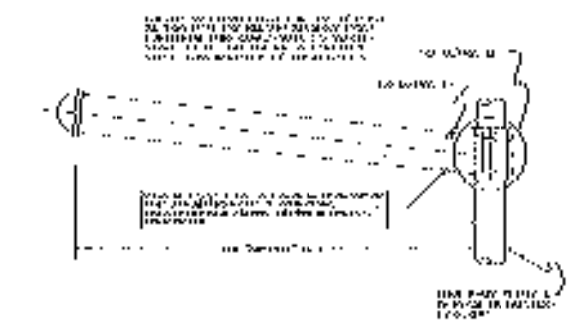


CIRCLE II. DIMENSIONS CODE 104-05-8690-00100

CODE	QTY	TYPE	SIZE	NOTE
104-05-8690-00100	1	CONCRETE	30" DIA.	
104-05-8690-00100	1	CONCRETE	6" X 6" X 30"	
104-05-8690-00100	1	CONCRETE	6" X 6" X 30"	
104-05-8690-00100	1	CONCRETE	6" X 6" X 30"	
104-05-8690-00100	1	CONCRETE	6" X 6" X 30"	
104-05-8690-00100	1	CONCRETE	6" X 6" X 30"	
104-05-8690-00100	1	CONCRETE	6" X 6" X 30"	
104-05-8690-00100	1	CONCRETE	6" X 6" X 30"	
104-05-8690-00100	1	CONCRETE	6" X 6" X 30"	
104-05-8690-00100	1	CONCRETE	6" X 6" X 30"	

1. THE TOP SURFACE OF THE CURB SHALL BE AT THE SAME ELEVATION AS THE TOP SURFACE OF THE ADJACENT SIDEWALK.

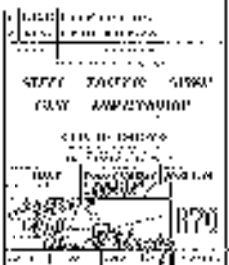
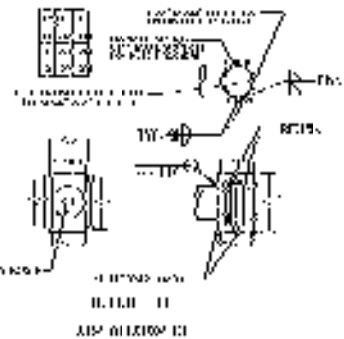
- NOTES TO THE CONTRACTOR:
1. THE CURB SHALL BE CONCRETE.
  2. THE CURB SHALL BE 6" X 6" X 30" IN SIZE.



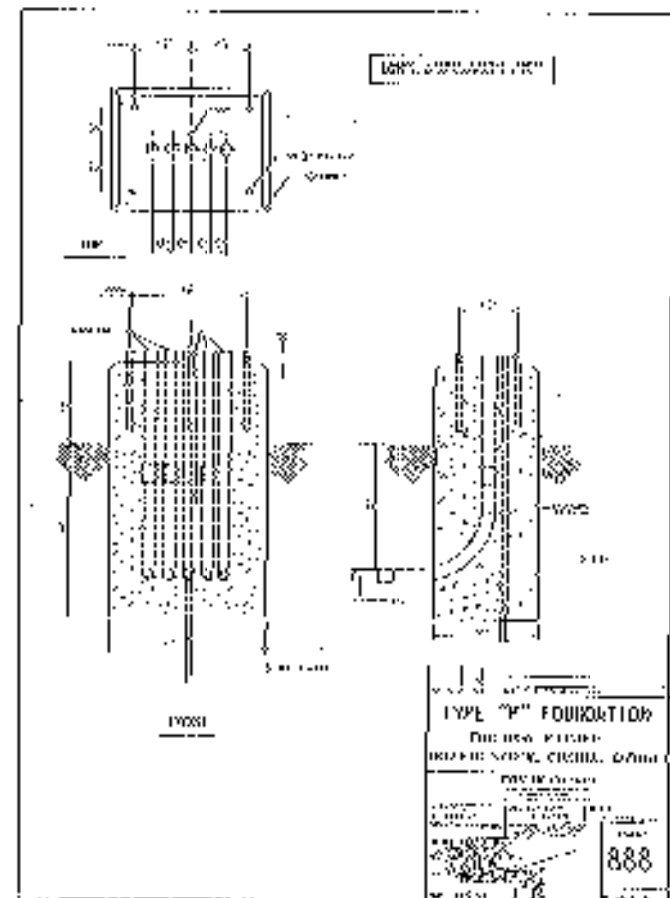
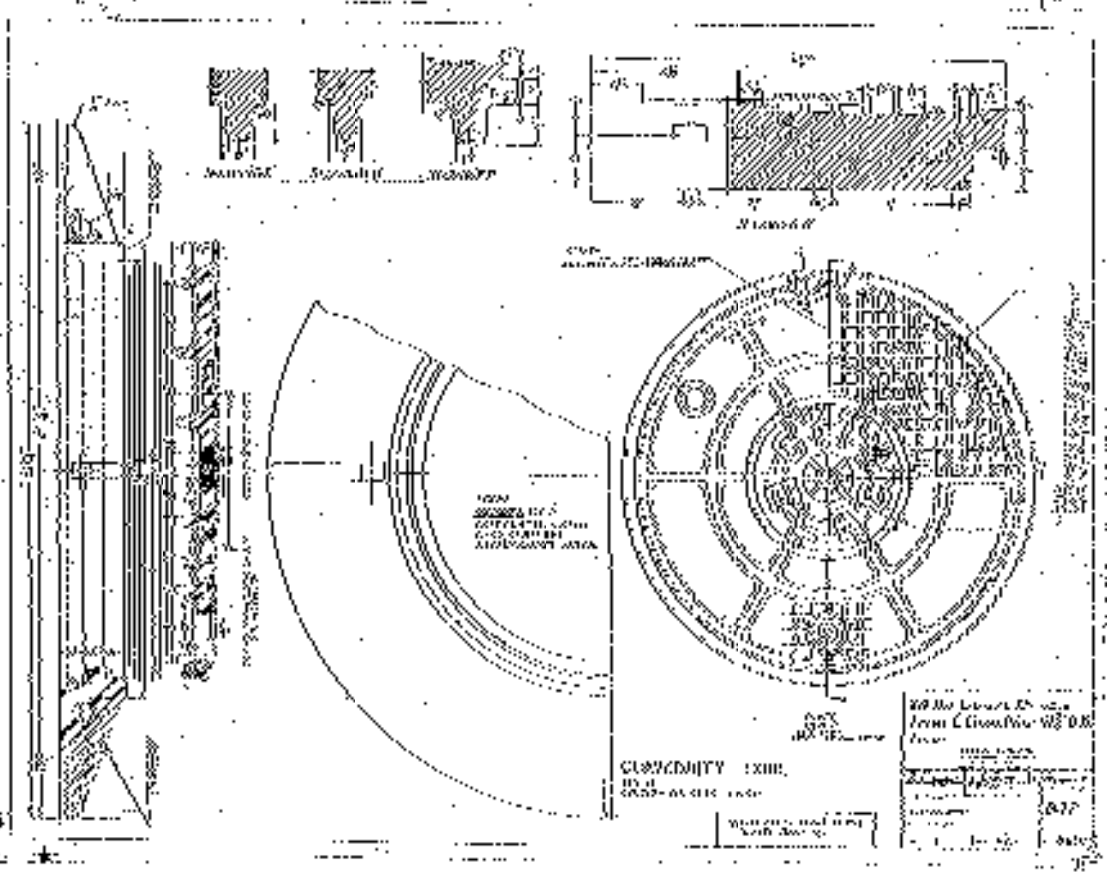
ANY DATE

DATE	BY	REVISION
10/1/00	JM	ISSUED FOR BIDDING
10/1/00	JM	ISSUED FOR BIDDING
10/1/00	JM	ISSUED FOR BIDDING
10/1/00	JM	ISSUED FOR BIDDING
10/1/00	JM	ISSUED FOR BIDDING
10/1/00	JM	ISSUED FOR BIDDING
10/1/00	JM	ISSUED FOR BIDDING
10/1/00	JM	ISSUED FOR BIDDING
10/1/00	JM	ISSUED FOR BIDDING
10/1/00	JM	ISSUED FOR BIDDING

- NOTES:
1. THE CURB SHALL BE CONCRETE.
  2. THE CURB SHALL BE 6" X 6" X 30" IN SIZE.
  3. THE CURB SHALL BE 6" X 6" X 30" IN SIZE.
  4. THE CURB SHALL BE 6" X 6" X 30" IN SIZE.
  5. THE CURB SHALL BE 6" X 6" X 30" IN SIZE.
  6. THE CURB SHALL BE 6" X 6" X 30" IN SIZE.
  7. THE CURB SHALL BE 6" X 6" X 30" IN SIZE.
  8. THE CURB SHALL BE 6" X 6" X 30" IN SIZE.
  9. THE CURB SHALL BE 6" X 6" X 30" IN SIZE.
  10. THE CURB SHALL BE 6" X 6" X 30" IN SIZE.



CODE	QTY	TYPE	SIZE	NOTE
104-05-8690-00100	1	CONCRETE	30" DIA.	
104-05-8690-00100	1	CONCRETE	6" X 6" X 30"	
104-05-8690-00100	1	CONCRETE	6" X 6" X 30"	
104-05-8690-00100	1	CONCRETE	6" X 6" X 30"	
104-05-8690-00100	1	CONCRETE	6" X 6" X 30"	
104-05-8690-00100	1	CONCRETE	6" X 6" X 30"	
104-05-8690-00100	1	CONCRETE	6" X 6" X 30"	
104-05-8690-00100	1	CONCRETE	6" X 6" X 30"	
104-05-8690-00100	1	CONCRETE	6" X 6" X 30"	
104-05-8690-00100	1	CONCRETE	6" X 6" X 30"	



2/18/2013 2:01:18 PM ...sheet\DI60J14-sht-ts\_58.dgn

USER NAME	DESIGNED	REVISION
GR	GR	GR
CG	CG	CG
2/18/2013	2/18/2013	2/18/2013



STATE OF ILLINOIS  
DEPARTMENT OF TRANSPORTATION

CDOT STANDARD CODE FOR  
TRAFFIC SIGNALS/STREET LIGHTING

F.A.U. RTE.	SECTION	COUNTY	TOTAL SHEETS	SHEET NO.
2746	1616B	COOK	404	225
CONTRACT NO. 60J14				
ILLINOIS FED. AID PROJECT				

TS-66