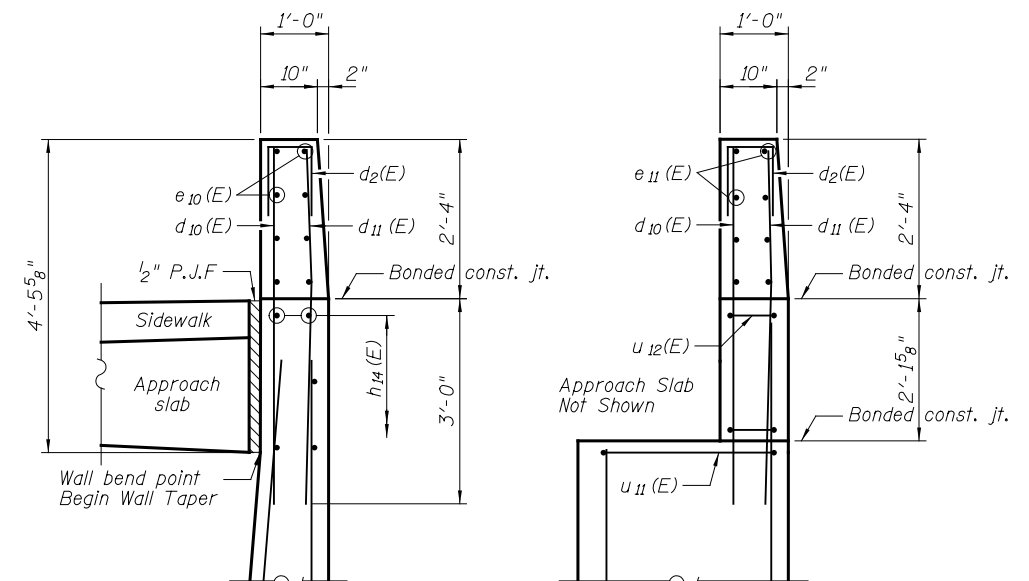


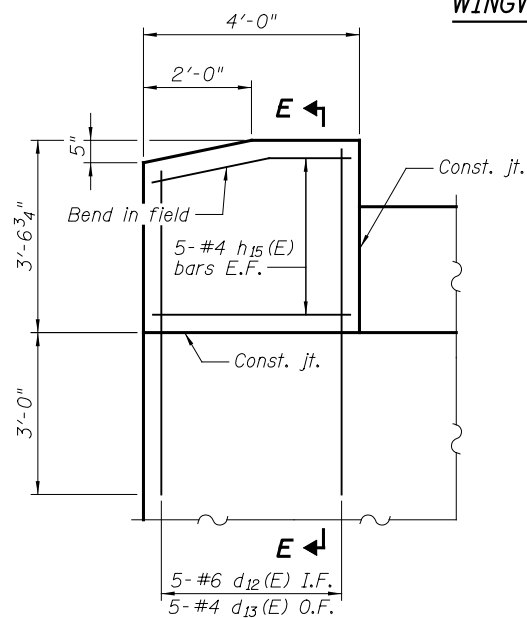
**WINGWALL ELEVATION**

\* Elevations shown are at backface of wingwall at top of roadway

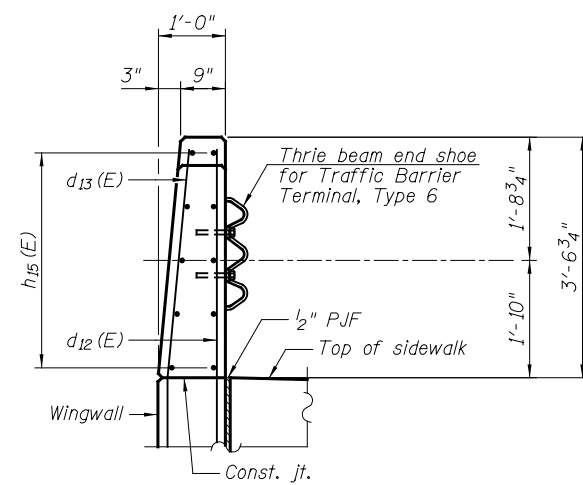


**DETAIL 1**

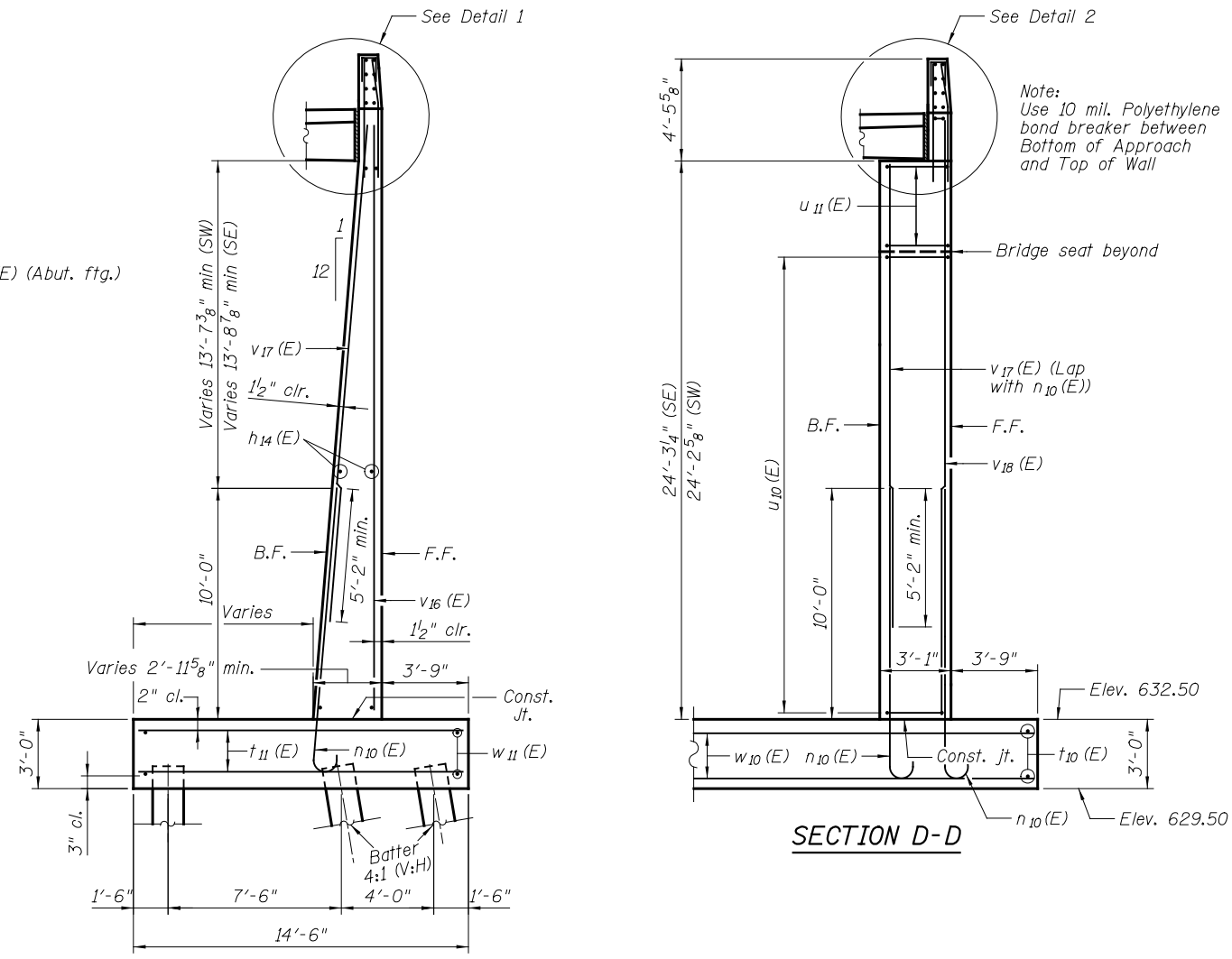
**DETAIL 2**



**DETAIL 3**



**SECTION E-E**



**SECTION C-C**

**SECTION D-D**