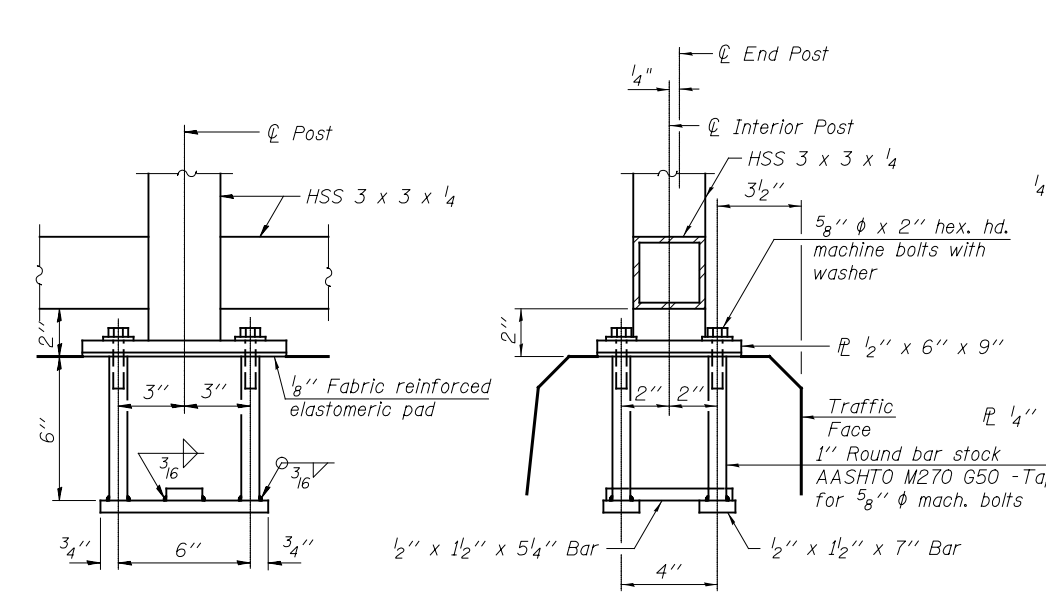


Note:
All steel rail elements shall be galvanized according to Article 509.05 of the Standard Specifications.

*Provide Bent $\text{P } 1/4'' \times 6 \text{ } 3/4'' \times 6 \text{ } 9''$ at end post adjacent to light poles, typ.

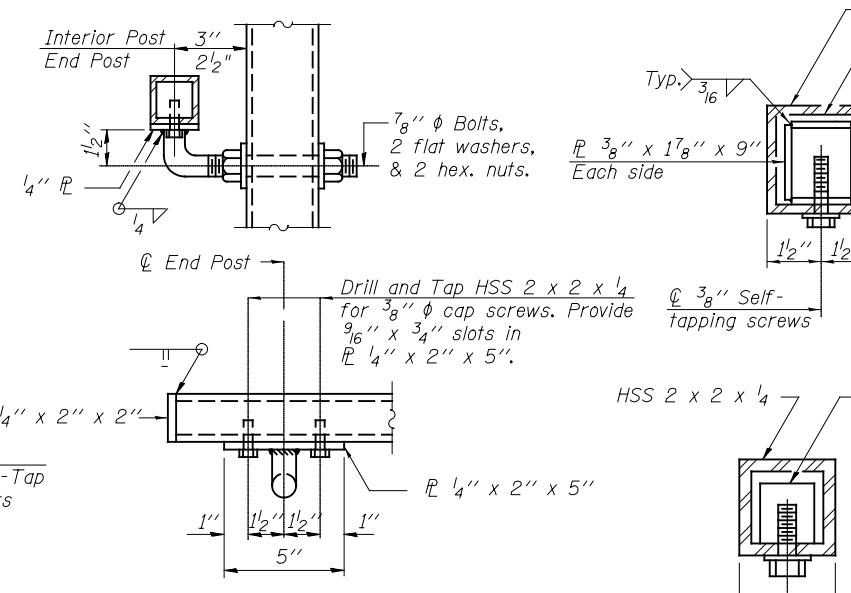
*Bent $\text{P } 1/4'' \times 6 \text{ } 3/4'' \times 6 \text{ } 9''$, typ.

*Varies - See Plans

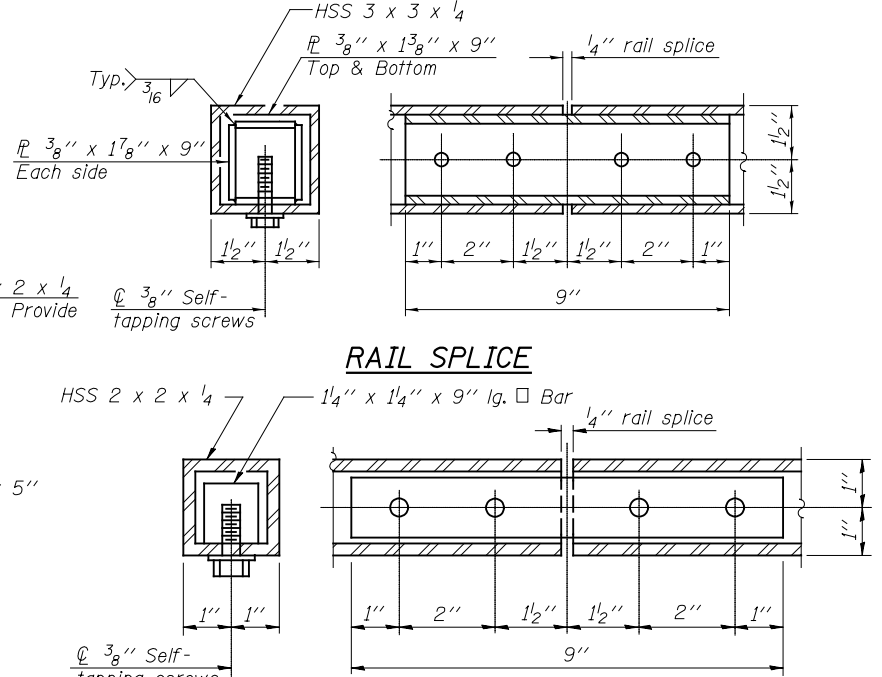


ANCHOR BOLT DETAILS

In lieu of the cast-in-place anchor device shown, the Contractor has the option of drilling and setting $5/8''$ ϕ anchor rods according to Article 509.06 of the Standard Specifications. Embedment shall be according to the manufacturer's specifications.

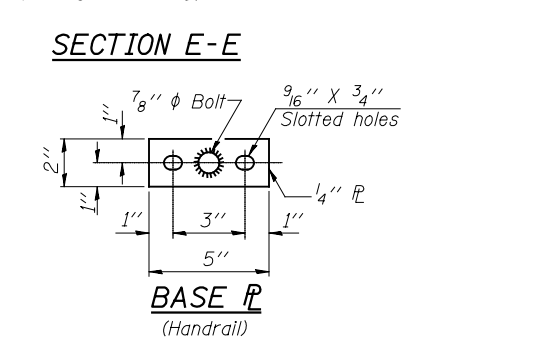


HANDRAIL DETAIL

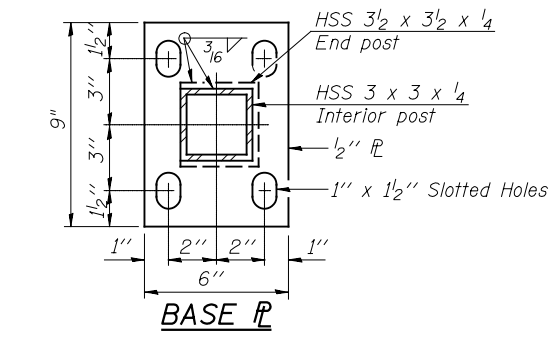


RAIL SPLICE

HANDRAIL SPLICE



BASE P (Handrail)



BASE P

BILL OF MATERIAL

Item	Unit	Quantity
Bridge Fence Railing	Foot	645

R-32

7-1-10



DESIGNED - AD	REVISOR
DRAWN - AD	REVISIONS
CHECKED - RDW	REVISIONS
DATE - 2/18/2013	REVISIONS

**STATE OF ILLINOIS
DEPARTMENT OF TRANSPORTATION**

**BRIDGE RAILING DETAILS
STRUCTURE NO. 016-1250**

SCALE: NONE SHEET NO. S45 OF S59 SHEETS

F.A.U. RTE.	SECTION	COUNTY	TOTAL SHEETS	SHEET NO.
2746	1616B	COOK	404	314
CONTRACT NO.				60J14
ILLINOIS FED. AID PROJECT				

G:\DOT\21850_006.CumberlandAve\Drawings\CADD Sheets\0160J14-shr-tsl-Fence Railing.dgn