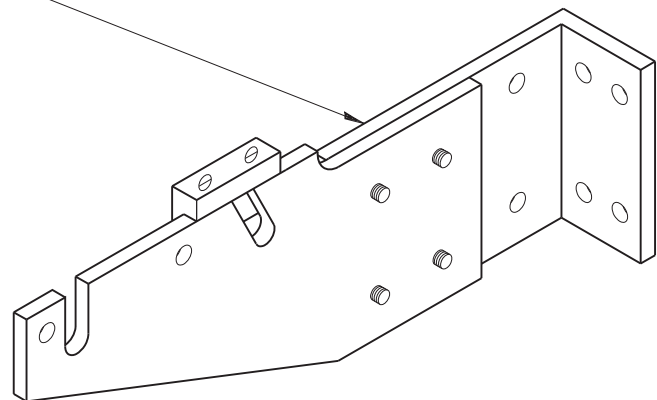
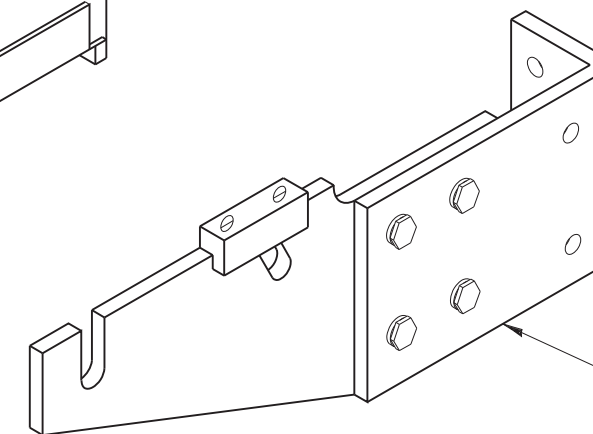
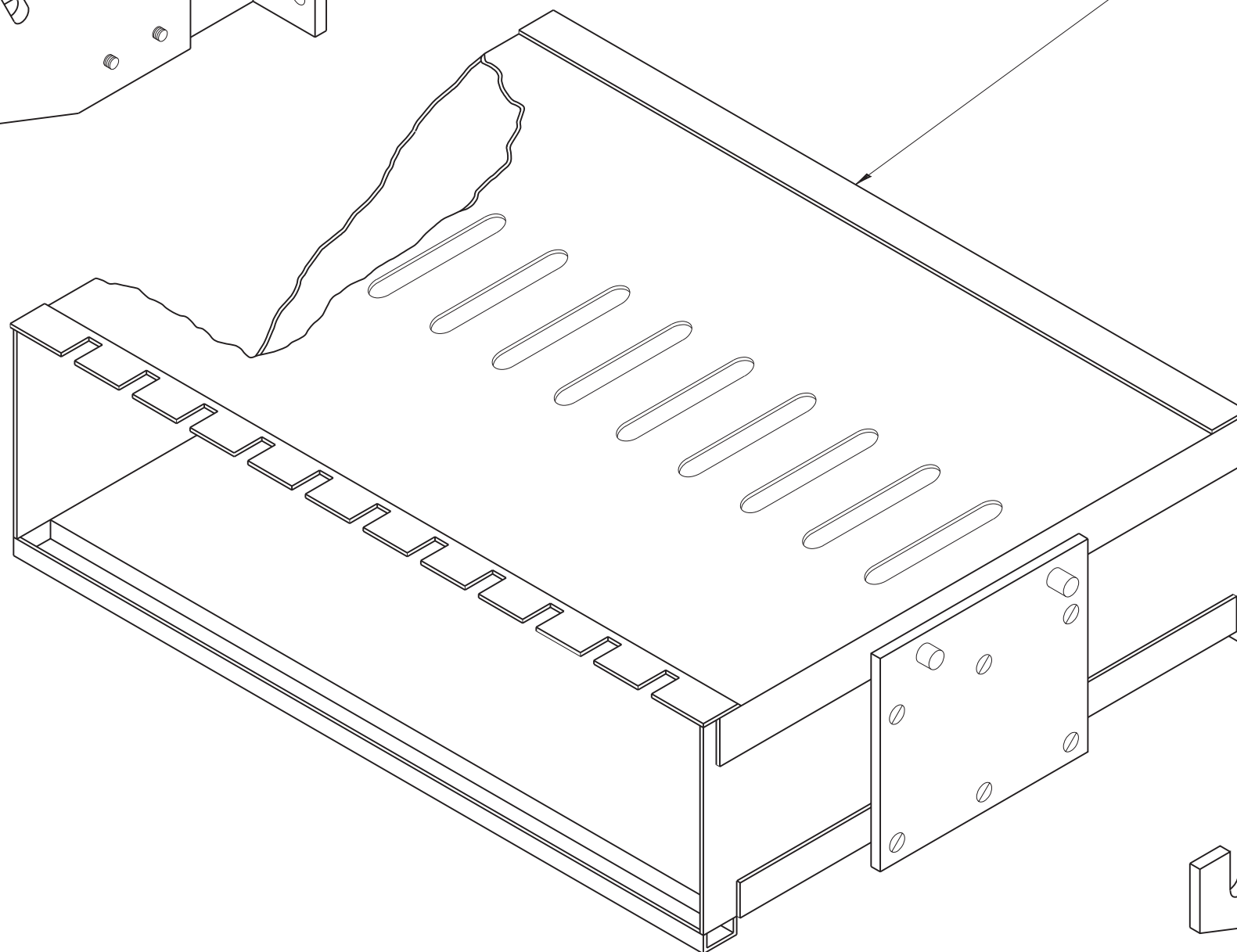


CRADLE



II MODULE MOUNTING FRAME
(FOR II TYPE "A" PLUG-IN TYPE TONE MODULES)



CRADLE

NOTE:

TYPE "A" TONE MODULES ARE PLUG
IN UNIT MEASURING 5-7/32" (132.55 mm) X 1.5" (38.1 mm) X 13-3/4" (349.25 mm)

FILE NAME =	USER NAME = mezag	DESIGNED - R.L.	REVISED - 06/94
et:\pw\work\p1dot\mezag\d0287541\TSCTYP.dgn		DRAWN - G.M.	REVISED - 09/96
	PLOT SCALE = 100.0000' / in.	CHECKED - R.L.	REVISED -
	PLOT DATE = 7/26/2012	DATE - 06/21/94	REVISED -

STATE OF ILLINOIS
DEPARTMENT OF TRANSPORTATION
TRAFFIC SYSTEMS CENTER

FIELD MOUNTING FRAME
WITH CRADLE ASSEMBLY

SCALE: NONE SHEET NO. OF SHEETS STA. TO STA.

F.A. RTE.	SECTION	COUNTY	TOTAL SHEETS	SHEET NO.
			404	368
CONTRACT NO.				
FED. ROAD DIST. NO. ILLINOIS FED. AID PROJECT				

TRAFFIC SYSTEMS CENTER (TY-1TSC-400#6)