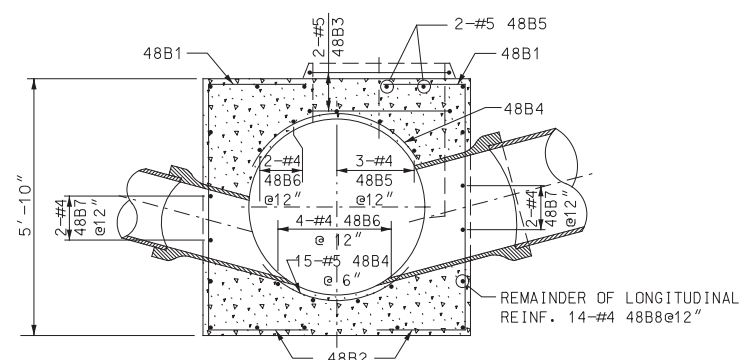
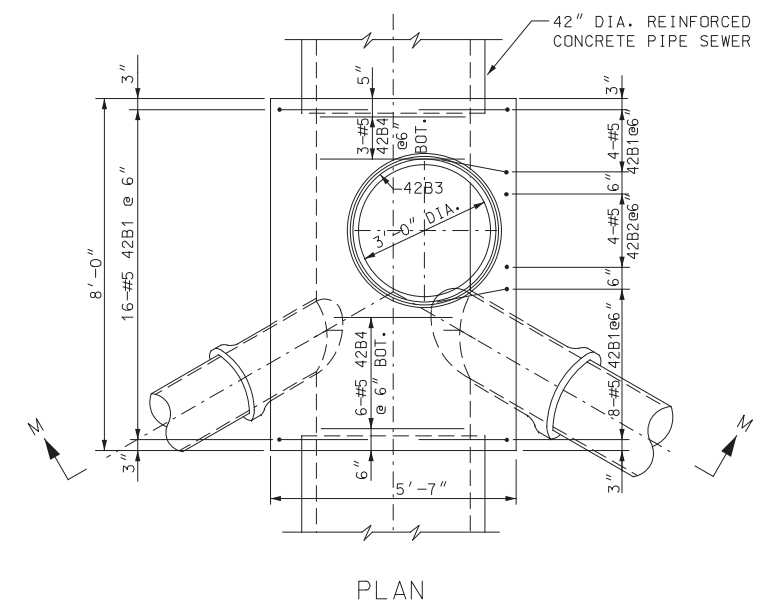


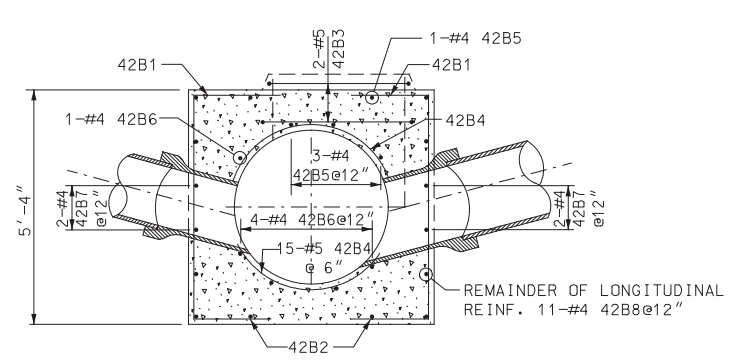
PLAN



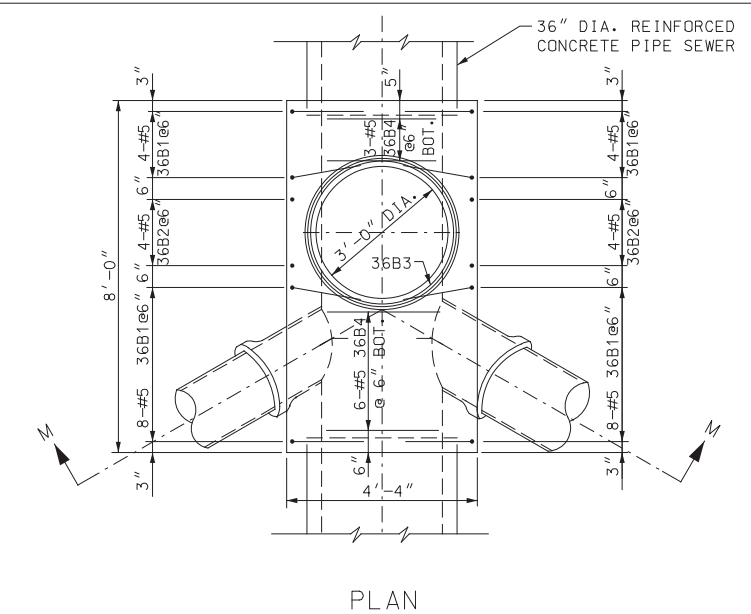
SECTION M-M
48" DIA. SEWER



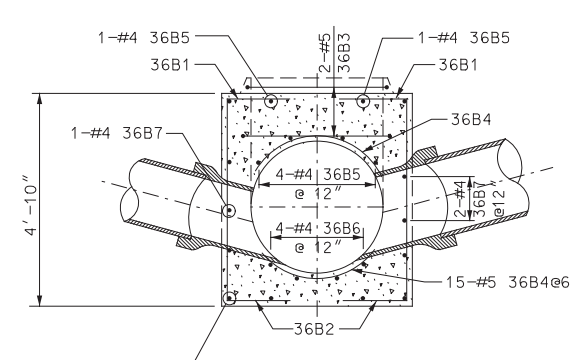
PLAN



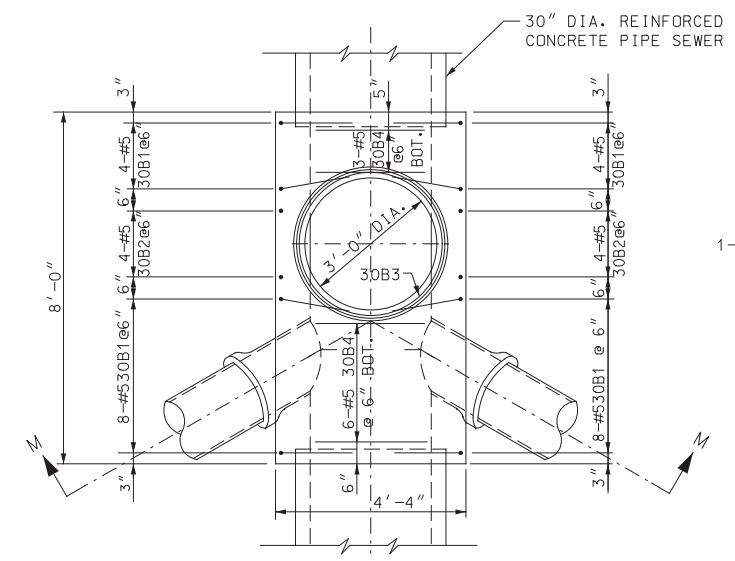
SECTION M-M
42" DIA. SEWER



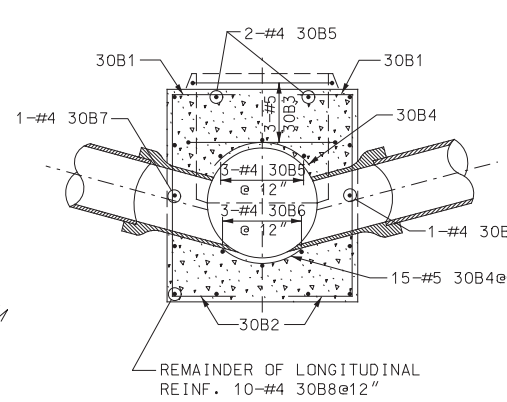
PLAN



SECTION M-M
36" DIA. SEWER

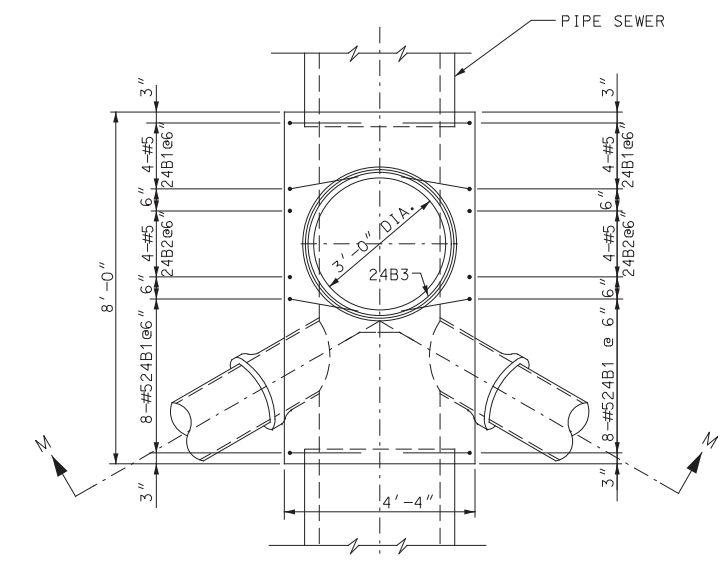


PLAN

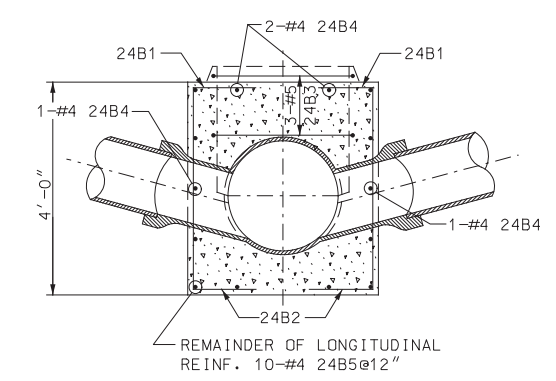


SECTION M-M

30" DIA. SEWER



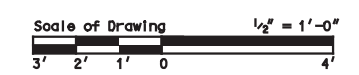
PLAN



SECTION M-M
24" DIA. SEWERS & SMALLER

DRAWN BY: SBW
DESIGNED BY:
CHECKED BY:

NOTES: FOR ADDITIONAL DETAILS OF THE MANHOLES SEE TYPE "B" MANHOLES DETAIL
FOR STRUCTURAL NOTES SEE REINFORCEMENT FOR TYPE "A" AND TYPE "B" MANHOLE BASES DETAIL



DATE	DESCRIPTION
12/7/09	APPROVED PLAN

CITY OF CHICAGO
DEPARTMENT OF WATER MANAGEMENT
BUREAU OF ENGINEERING SERVICES

REINFORCEMENT FOR TYPE "B"
MANHOLE BASES

SCALE: AS SHOWN
SCALE: NONE

CONTRACT SHEET NO. X 404 378