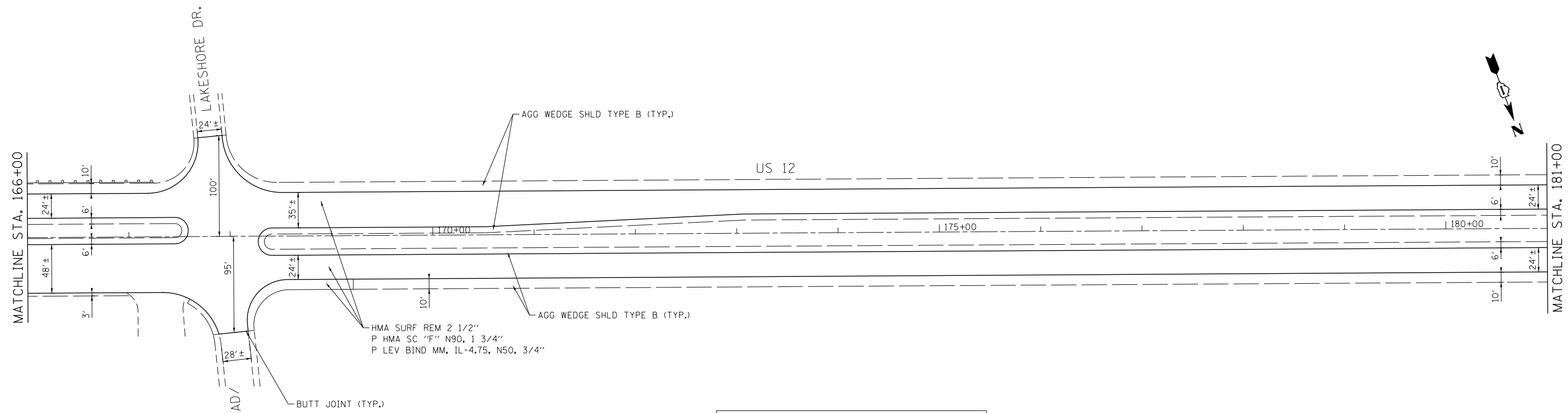


PROJECT BEGINS
STA. 152+36

MATCHLINE STA. 166+00



MATCHLINE STA. 166+00

MATCHLINE STA. 181+00

LEGEND	
	EXISTING INLET
	EXISTING CATCH BASIN
	EXISTING MANHOLE
	FRAMES AND LIDS TO BE ADJUSTED, SPECIAL



COMPANY NAME: HRGreen
 PROJECT CONTACT: HRGreen.com
 DATE PLOTTED: 10/24/2012 09:50:01 AM
 FILE NAME: 86100196.dwg
 PLOT DRIVER: pafcal
 PEN TABLE: standard-trans.tbl



USER NAME = spenel	DESIGNED - CMH	REVISED -
	DRAWN - SMP	REVISED -
PLOT SCALE = 1" = 50'	CHECKED - TEH	REVISED -
PLOT DATE = 10/24/2012	DATE - 10/24/2012	REVISED -

STATE OF ILLINOIS
DEPARTMENT OF TRANSPORTATION

ROADWAY PLAN
U.S. ROUTE 12 (OLD RAND RD/MAIN STREET TO FISH LAKE RD.)
SCALE: 1" = 50' SHEET NO. 1 OF 14 SHEETS STA. BEGIN TO STA. 181+00

F.A. RTE.	SECTION	COUNTY	TOTAL SHEETS	SHEET NO.
334	TR-RS-3	LAKE	52	8
FED. ROAD DIST. NO. ILLINOIS FED. AID PROJECT			CONTRACT NO. 60N25	