

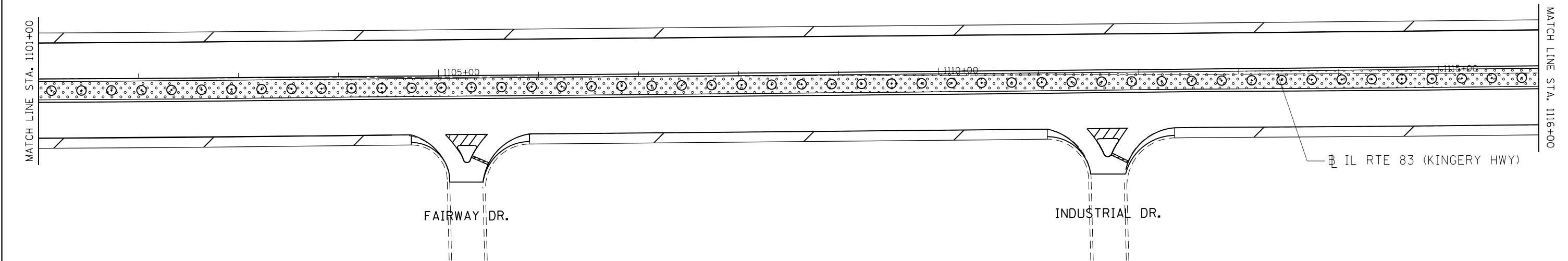
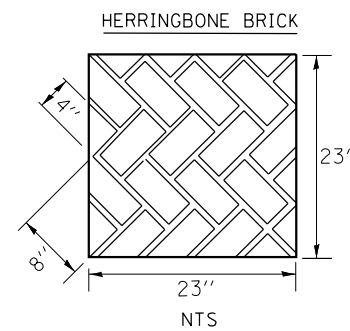
**LANDSCAPING LEGEND**

- CONCRETE MEDIAN SURFACE REMOVAL AND REPLACEMENT WITH TOPSOIL AND SEED (SEE NOTE 3)
- CONCRETE MEDIAN SURFACE REMOVAL AND REPLACEMENT WITH CONCRETE MEDIAN SURFACE, 5"
- CONCRETE MEDIAN SURFACE REMOVAL AND REPLACEMENT WITH STAMPED COLORED PCC MEDIAN SURFACE 5 INCH (SPECIAL)
- PROPOSED TREE AT 30' CENTER TO CENTER SPACING (SEE PROPOSED TREE SCHEDULE)

**LANDSCAPING NOTES:**

1. PROPOSED TREES LOCATED IN THE MEDIAN SHALL BE SPACED AT 30' INTERVALS IN AN ALTERNATING PATTERN FOR THE TREE SPECIES LISTED IN THE LANDSCAPING SCHEDULE.
2. COLORED STAMPED CONCRETE MEDIAN SHALL BE POURED MONOLITHICALLY AND STAMPED WITH HERRINGBONE BRICK PATTERN AS SHOWN IN THE PLANS (SEE DETAIL).
3. EROSION CONTROL BLANKET AND FERTILIZER NUTRIENTS (NITROGEN, PHOSPHORUS AND POTASSIUM) TO BE APPLIED TO ALL SEEDING AREAS

**COLORED STAMPED CONCRETE MEDIAN DETAIL:**



FILE NAME =	USER NAME = ledezmar	DESIGNED -	REVISED - RL 3/15/2013
ca:\pw\work\p\dot\ledezmar\d0315650\0131911-sht-plan.dgn		DRAWN -	REVISED -
\$MODELNAME\$	PLOT SCALE = 100.0000' / 1in.	CHECKED -	REVISED -
	PLOT DATE = 3/15/2013	DATE -	REVISED -

**STATE OF ILLINOIS  
DEPARTMENT OF TRANSPORTATION**

**IL ROUTE 83  
IL 19 (IRVING PARK RD) TO IL 72 (OAKTON ST.)  
LANDSCAPING PLANS**

SCALE: SHEET OF SHEETS STA. 1086+00 TO STA. 1116+00

F.A.P. RTE.	SECTION	COUNTY	TOTAL SHEETS	SHEET NO.
344	540R-RS-2	DUPAGE&COOK	49	23
CONTRACT NO. 60N49				
ILLINOIS FED. AID PROJECT				