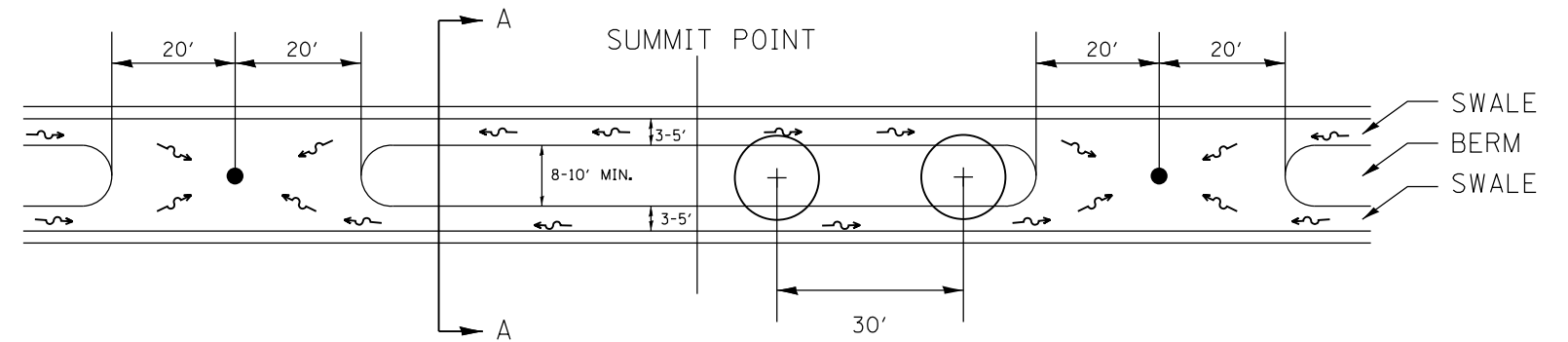


GENERAL NOTES:

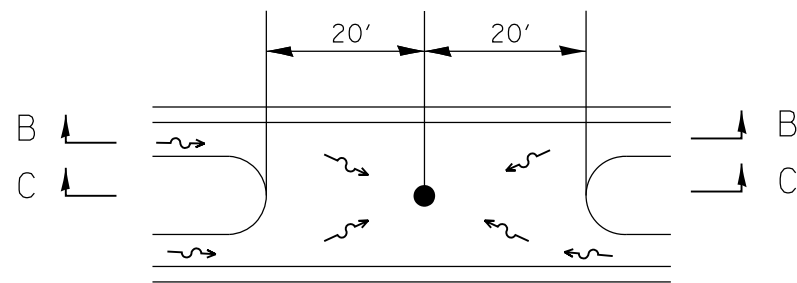
1. PROPOSED TREES LOCATED IN THE MEDIAN SHALL BE SPACED AT 30' INTERVALS IN AN ALTERNATING PATTERN FOR THE TREE SPECIES LISTED IN THE LANDSCAPING SCHEDULE.
2. BERM SUMMITS SHALL BE LOCATED MIDWAY BETWEEN EXISTING MEDIAN DRAINAGE STRUCTURES.
3. EROSION CONTROL BLANKET AND FERTILIZER NUTRIENTS (NITROGEN, PHOSPHORUS AND POTASSIUM) TO BE APPLIED TO ALL SEEDING AREAS
4. LONGITUDINAL SLOPES SHALL BE GRADED SUCH THAT STORM WATER RUNOFF WILL BE DIRECTED TOWARD DRAINAGE STRUCTURES WITH A MAXIMUM SLOPE OF 1 PERCENT
5. THE PROPOSED SWALE SHALL HAVE A MINIMUM WIDTH OF 3 FEET

LANDSCAPE DETAIL LEGEND:

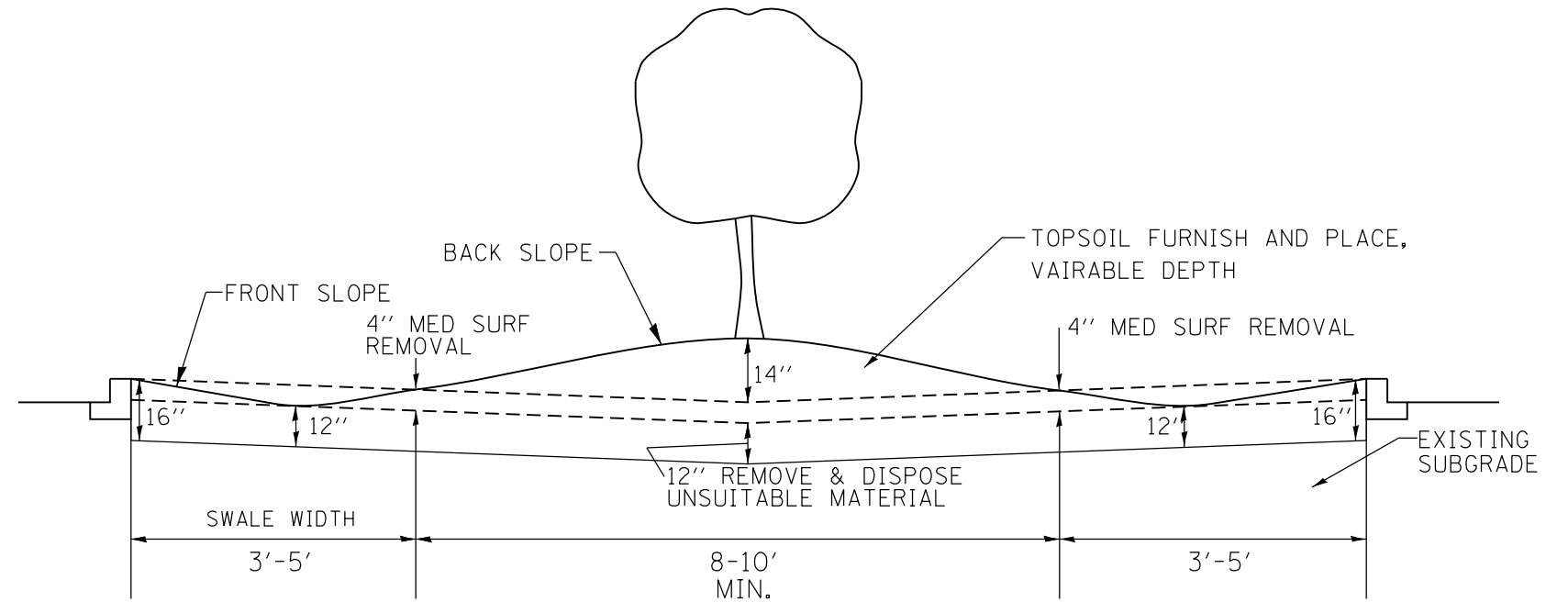
- ⊕ PROPOSED TREE AT 30' CENTER TO CENTER SPACING (SEE PROPOSED TREE SCHEDULE)
- ~ PROPOSED FLOW LINES FOR LANDSCAPED MEDIANS
- EXISTING DRAINAGE STRUCTURE



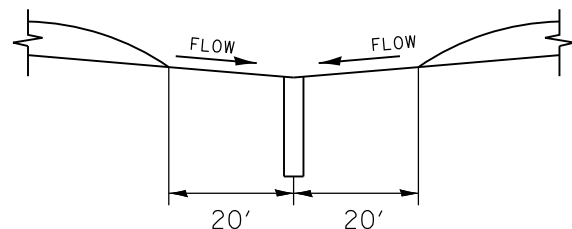
LANDSCAPE MEDIAN PLAN VIEW (NTS)



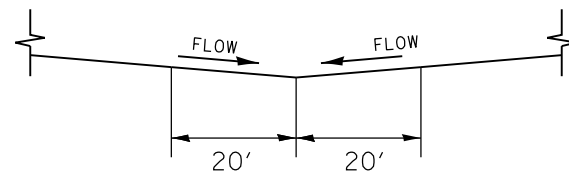
PLAN VIEW



SECTION A-A: LANDSCAPE MEDIAN ELEVATION (NTS)



SECTION C-C



SECTION B-B

FRONT SLOPE (V:H)	MINIMUM SWALE WIDTH	BACK SLOPE (V:H)
1:5	3'-5'	1:7