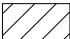
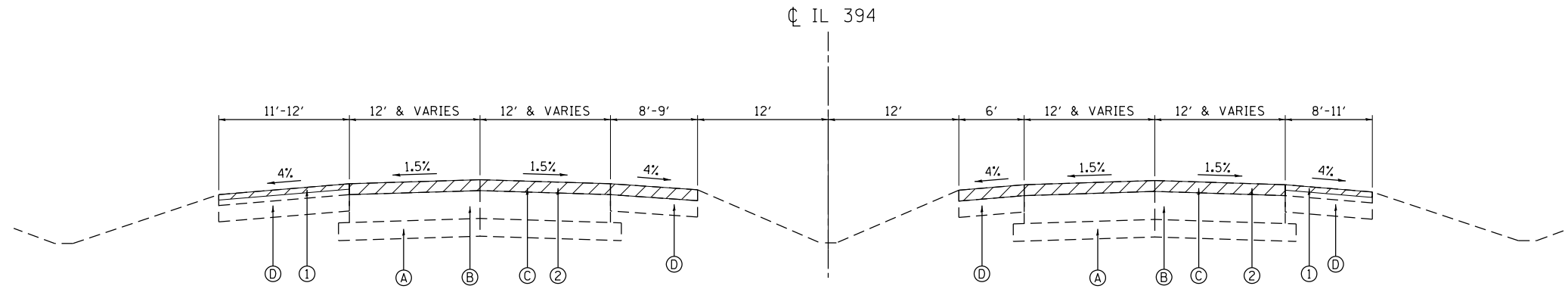


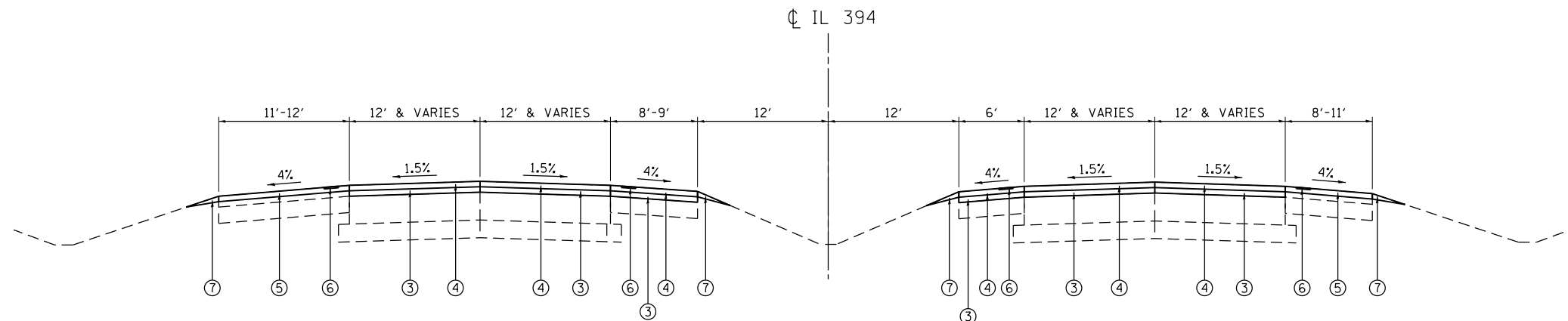
EXISTING CONDITIONS

- Ⓐ AGGREGATE BASE, 6"
- Ⓑ PCC PAVEMENT, 10"
- Ⓒ HMA PAVEMENT, 4" & VARIES
- Ⓓ HMA SHOULDER, 10"
-  ITEMS TO BE REMOVED



EXISTING IL 394 TYPICAL SECTION

STA. 2022+20 TO STA. 2336+25



PROPOSED IL 394 TYPICAL SECTION

STA. 2022+20 TO STA. 2336+25

PROPOSED IMPROVEMENTS

- ① HOT-MIX ASPHALT SURFACE REMOVAL, 2"
- ② HOT-MIX ASPHALT SURFACE REMOVAL, VARIABLE DEPTH (REMOVE TO PCC PAVEMENT. MILL INSIDE SHOULDER TO MATCH DEPTH OF REMOVAL OVER PCC PAVEMENT.)
- ③ POLYMERIZED HOT-MIX ASPHALT BINDER COURSE, STONE MATRIX ASPHALT, N80, 2" (ROADWAY & INSIDE SHOULDERS)
- ④ HOT-MIX ASPHALT SURFACE COURSE, STONE MATRIX ASPHALT, N80, 2" (ROADWAY & INSIDE SHOULDERS)
- ⑤ HOT-MIX ASPHALT SURFACE COURSE, MIX "D" N70, 2" (OUTSIDE SHOULDERS)
- ⑥ SHOULDER RUMBLE STRIPS, 16 INCH
- ⑦ AGGREGATE WEDGE SHOULDER, TYPE B

• CONTRACTOR SHALL MILL FIRST BEFORE PATCHING

HOT-MIX ASPHALT MIXTURE REQUIREMENTS	
MIXTURE TYPE	AIR VOIDS @ Ndes
RESURFACING AND INSIDE SHOULDERS	
• POLYMERIZED HOT-MIX ASPHALT SURFACE COURSE, STONE MATRIX ASPHALT, N80, 2"	3.5% @ 80 GYR
• POLYMERIZED HOT-MIX ASPHALT BINDER COURSE, STONE MATRIX ASPHALT, N80, 2"	3.5% @ 80 GYR
OUTSIDE SHOULDERS	
• HOT-MIX ASPHALT SURFACE COURSE, MIX "D", N70 (IL 9.5mm), 2"	4% @ 70 GYR
PATCHING	
CLASS D PATCHES (HMA BINDER IL-25mm), 10"	4% @ 105 GYR

THE UNIT WEIGHT USED TO CALCULATE ALL HOT-MIX ASPHALT SURFACE MIXTURE A IS 112 LBS/SQ YD/IN.

THE "AC TYPE" FOR POLYMERIZED HMA MIXES SHALL BE "SBS/SBR PG 76-22" AND FOR NON-POLYMERIZED HMA THE "AC TYPE" SHALL BE "PG 64-22" UNLESS MODIFIED BY DISTRICT ONE SPECIAL PROVISIONS.

FOR "PERCENT OF RAP" SEE DISTRICT ONE SPECIAL PROVISIONS.

• PFP SPECIAL PROVISION APPLIES TO HMA SURFACE MIX "D", N70, SMA SURFACE AND SMA BINDER

H:\Jobs\2009\20093023-47\CAD\Site\ dgn\00\06063-sht-typical.dgn 12/10/2012 2:01:51 PM

USER NAME = 1485	DESIGNED - EF	REVISED -
	DRAWN - EF	REVISED -
PLOT SCALE = 100.0000' / in.	CHECKED - RS	REVISED -
PLOT DATE = 12/10/2012	DATE - 12-20-2012	REVISED -

F.A.P. RTE.	SECTION	COUNTY	TOTAL SHEETS	SHEET NO.
332	10A-RS-2	WILL	28	6
				CONTRACT NO. 60N63
ILLINOIS FED. AID PROJECT				