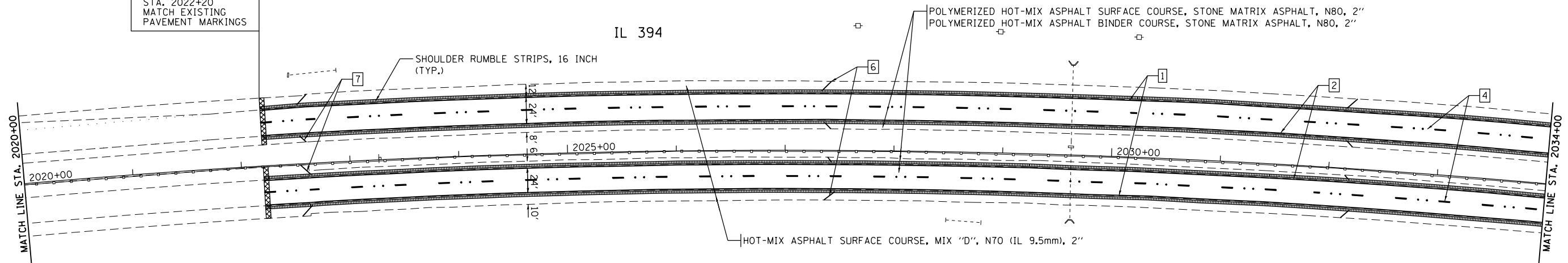
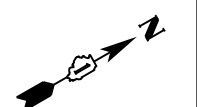


 HOT-MIX ASPHALT SURFACE
REMOVAL BUTT JOINT

IMPROVEMENT BEGINS
STA. 2022+20
MATCH EXISTING
PAVEMENT MARKINGS



PAVEMENT MARKING LEGEND

- | | | |
|--|--|--|
| 1 THERMOPLASTIC PAVEMENT MARKING - LINE 4" WHITE SOLID | 4 THERMOPLASTIC PAVEMENT MARKING - LINE 5" WHITE SKIP DASH
10' DASH, 30' SKIP W/2 CRYSTAL/OPAQUE RPM, 80' C-C | 7 THERMOPLASTIC PAVEMENT MARKING - LINE 12" YELLOW @ 45 DEGREE, 500' C-C |
| 2 THERMOPLASTIC PAVEMENT MARKING - LINE 4" YELLOW SOLID | 5 THERMOPLASTIC PAVEMENT MARKING - LINE 6" WHITE | 8 THERMOPLASTIC PAVEMENT MARKING - LINE 24" WHITE |
| 3 THERMOPLASTIC PAVEMENT MARKING - LINE 4" DOUBLE YELLOW,
2 @ 11" C-C W/ 2 AMBER 2-WAY RPM'S, 80' C-C | 6 THERMOPLASTIC PAVEMENT MARKING - LINE 12" WHITE @ 45 DEGREE, 500' C-C | 9 THERMOPLASTIC PAVEMENT MARKING - LETTERS & SYMBOLS |

H:\Jobs\2009\20093023-47\CAD\Site\ dgn\00\06063-sht-Plan01.dgn 12/10/2012 2:01:52 PM

GRAEF 8501 N. Higgins Road, Suite 280
Chicago, Illinois 60631
(773) 399-0112

USER NAME = 1485	DESIGNED - EF	REVISED -
DRAWN - EF	REVISIONS -	
PLOT SCALE = 100.0019' / 1" =	CHECKED - RS	REVISED -
PLOT DATE = 12/10/2012	DATE - 12-20-2012	REVISED -

**STATE OF ILLINOIS
DEPARTMENT OF TRANSPORTATION**

**IL 394 STEGER ROAD TO S. OF ELMSCOURT LANE
ROADWAY AND PAVEMENT MARKING PLANS**

SCALE: 1"=50' SHEET 1 OF 12 SHEETS STA. 2006+00 TO STA. 2034+00

F.A.P. RTE. 332	SECTION 10A-RS-2	COUNTY WILL	TOTAL SHEETS 28	SHEET NO. 7
CONTRACT NO. 60N63			ILLINOIS FED. AID PROJECT	