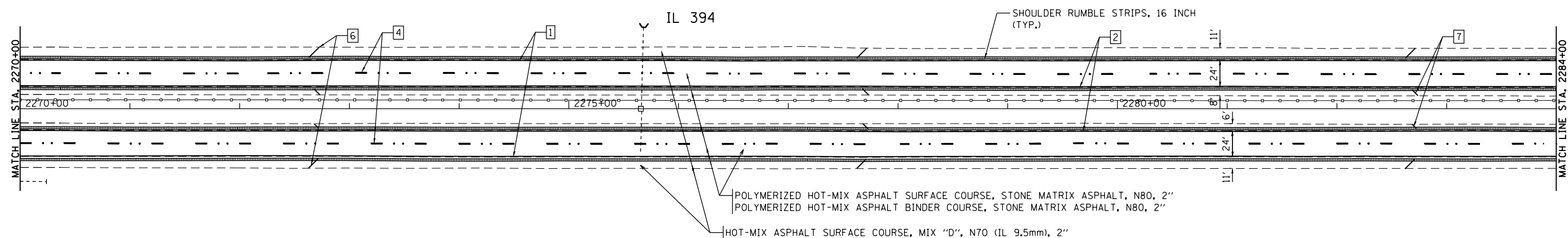


PAVEMENT MARKING LEGEND

- | | | |
|---|---|--|
| <p>1 THERMOPLASTIC PAVEMENT MARKING - LINE 4" WHITE SOLID</p> <p>2 THERMOPLASTIC PAVEMENT MARKING - LINE 4" YELLOW SOLID</p> <p>3 THERMOPLASTIC PAVEMENT MARKING - LINE 4" DOUBLE YELLOW, 2 @ 11" C-C W/ 2 AMBER 2-WAY RPM'S, 80' C-C</p> | <p>4 THERMOPLASTIC PAVEMENT MARKING - LINE 5" WHITE SKIP DASH 10' DASH, 30' SKIP W/2 CRYSTAL/OPAQUE RPM, 80' C-C</p> <p>5 THERMOPLASTIC PAVEMENT MARKING - LINE 6" WHITE</p> <p>6 THERMOPLASTIC PAVEMENT MARKING - LINE 12" WHITE @ 45 DEGREE, 500' C-C</p> | <p>7 THERMOPLASTIC PAVEMENT MARKING - LINE 12" YELLOW @ 45 DEGREE, 500' C-C</p> <p>8 THERMOPLASTIC PAVEMENT MARKING - LINE 24" WHITE</p> <p>9 THERMOPLASTIC PAVEMENT MARKING - LETTERS & SYMBOLS</p> |
|---|---|--|



H:\Jobs\2009\20093023-47\CAD\Site\ dgn\00\16063-sht-Plan10.dgn
 12/10/2012 2:01:56 PM

GRAEF 8501 N. Higgins Road Suite 280
Chicago, Illinois 60631
(773) 399-0112

USER NAME = 1485	DESIGNED - EF	REVISED -
DRAWN - EF	CHECKED - RS	REVISED -
PLOT SCALE = 100.0017' / 1" =	DATE - 12-20-2012	REVISED -
PLOT DATE = 12/10/2012		

**STATE OF ILLINOIS
DEPARTMENT OF TRANSPORTATION**

**IL 394 STEGER ROAD TO S. OF ELMSCOURT LANE
ROADWAY AND PAVEMENT MARKING PLANS**

SCALE: 1"=50' SHEET 10 OF 12 SHEETS STA. 2256+00 TO STA. 2284+00

F.A.P. RTE.	SECTION	COUNTY	TOTAL SHEETS	SHEET NO.
332	10A-RS-2	WILL	28	16
CONTRACT NO. 60N63				
ILLINOIS FED. AID PROJECT				