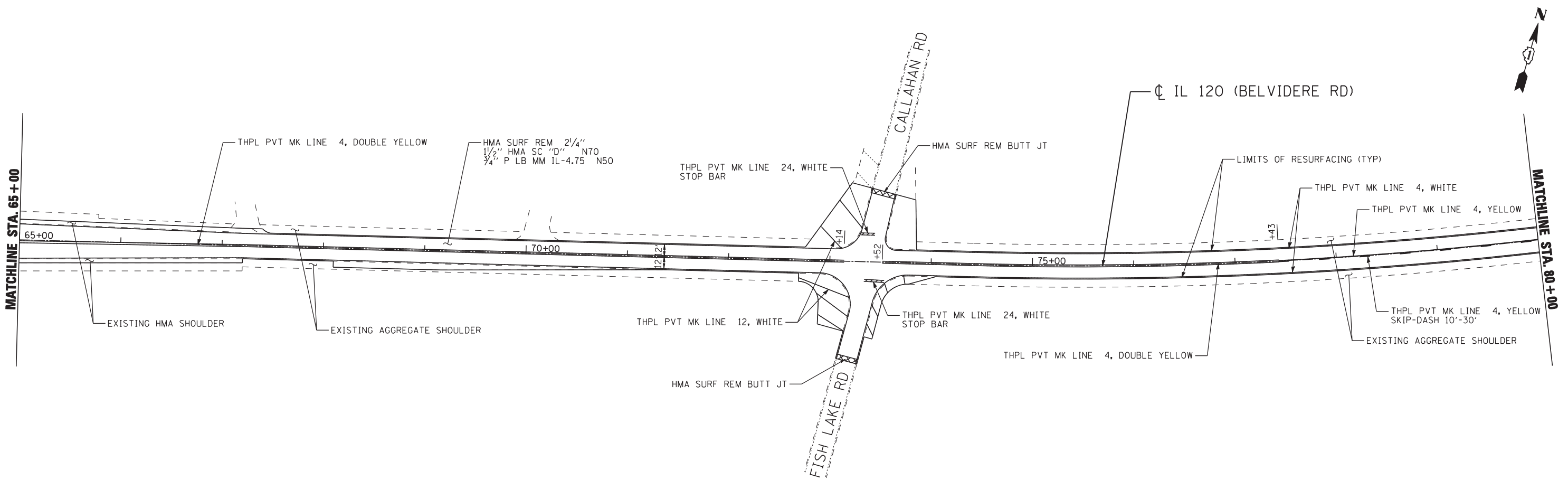
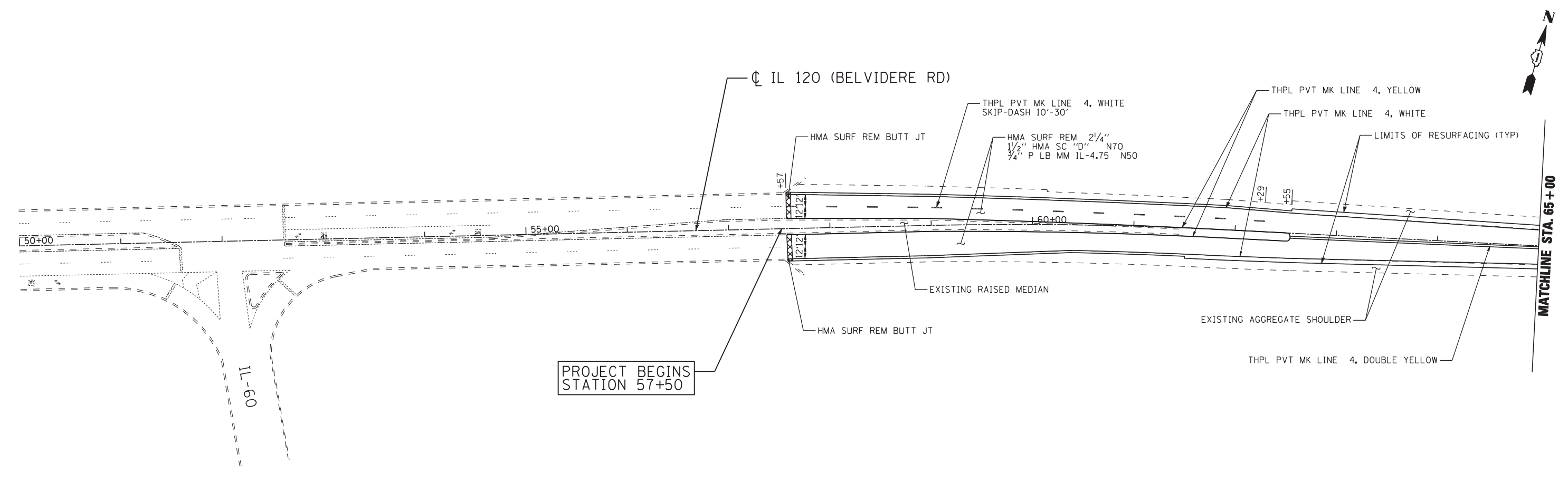


FILE NAME = G:\projects\2102155_0056\CADD\Civil\Sheet\160N79-05-R04.dgn



USER NAME = dpieniazek	DESIGNED - DLP	REVISED -
	DRAWN - STANTEC	REVISED -
PLOT SCALE = 50.00' / IN.	CHECKED - TMH	REVISED -
PLOT DATE = 12/12/2012	DATE - 12/12/2012	REVISED -

**STATE OF ILLINOIS
DEPARTMENT OF TRANSPORTATION**

**IL ROUTE 120 ROADWAY RESURFACING
EXISTING AND PROPOSED ROADWAY AND PAVEMENT MARKING PLAN**

SCALE: SHEET NO. OF SHEETS STA. TO STA.

F.A.P. RTE. 333	SECTION 16-RS-9	COUNTY LAKE	TOTAL SHEETS 21	SHEET NO. 5
CONTRACT NO. 60N79			ILLINOIS FED. AID PROJECT	