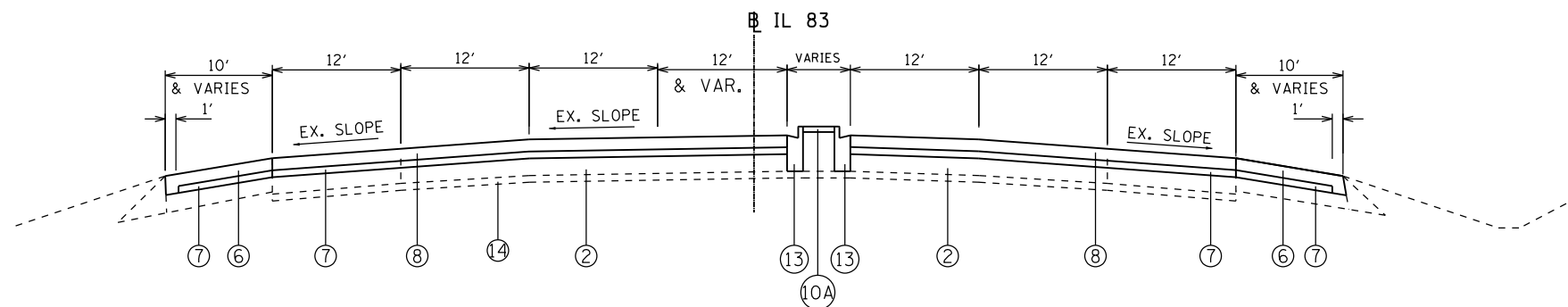


EXISTING TYPICAL SECTION

STA. 976+75 TO STA. 983+00
 STA. 995+50 TO STA. 1002+25
 STA. 1014+75 TO STA. 1020+75
 STA. 1031+00 TO STA. 1041+00



PROPOSED TYPICAL SECTION

STA. 976+75 TO STA. 983+00
 STA. 995+50 TO STA. 1002+25
 STA. 1014+75 TO STA. 1020+75
 STA. 1031+00 TO STA. 1041+00

LEGEND

- ① EXISTING +/- 2 1/2" HMA
- ② EXISTING +/- 10" P.C.C. BASE
- ③ EXISTING B-6.24 CURB AND GUTTER
- ④ EXISTING HMA SHOULDER +/- 8"
- ⑤ HMA SURFACE REMOVAL - 2 1/2" (SEE NOTE 1)
- ⑥ HOT-MIX ASPHALT SURFACE COURSE, MIX "D", N70 (IL-9.5MM) - 2"
- ⑦ POLYMERIZED LEVELING BINDER (MACHINE METHOD), IL-4.75, N50 -1"
- ⑧ POLYMERIZED HOT-MIX ASPHALT SURFACE COURSE, STONE MATRIX ASPHALT, N80 -2"
- ⑨ HMA SURFACE REMOVAL - 2 1/2"
- ⑩ EXISTING CONCRETE MEDIAN SURFACE REMOVAL - 4"
- ⑩A PROP CONCRETE MEDIAN SURFACE, 5" (SPECIAL)
SEE LANDSCAPING PLANS FOR DETAILS
- ⑪ REMOVAL AND DISPOSAL OF UNSUITABLE MATERIAL
- ⑫ PROPOSED LANDSCAPE MEDIAN BURN AND SWALES, WITH TOPSOIL - VARIABLE DEPTH AND SEEDING, CLASS 2A (SEE LANDSCAPING DETAIL)
- ⑬ PROPOSED COMBINATION CONCRETE CURB AND GUTTER REMOVAL AND REPLACEMENT
- ⑭ EXISTING STABILIZED SUB-BASE, 4"
- ⑮ HOT MIX ASPHALT SURFACE REMOVAL, VARIABLE DEPTH

NOTES

1. THE CONTRACTOR SHALL PERFORM THE PAVEMENT PATCHING OPERATIONS PRIOR TO THE HMA SURFACE REMOVAL OPERATION. SEE IDOT DISTRICT 1 DETAIL PAVEMENT PATCHING FOR HMA SURFACED PAVEMENT (BD-22) FOR ADDITIONAL INFORMATION.
2. NO ADDITIONAL COMPENSATION WILL BE GIVEN TO THE CONTRACTOR FOR ANY EXTRA WORK REQUIRED TO MILL THE HMA SHOULDER ADJACENT TO THE EXISTING BARRIER WALL. THIS WORK WILL BE INCLUDED IN THE CONTRACT UNIT PRICE FOR HMA SURFACE REMOVAL - 2 1/2" .
3. PLACEMENT OF POLYMERIZED LEVELING BINDER SHALL STOP ONE FOOT FROM THE EDGE OF SHOULDER (NO CURB AND GUTTER). SURFACE MIX WILL BE USED FULL DEPTH WITHIN THE REMAINING FOOT.

FILE NAME =	USER NAME = Bilgramisa	DESIGNED -	REVISED - SB 3/14/13	STATE OF ILLINOIS DEPARTMENT OF TRANSPORTATION	IL 83 (IL 64 TO IL 19) EXISTING AND PROPOSED TYPICAL SECTIONS	F.A.P. RTE.	SECTION	COUNTY	TOTAL SHEETS	SHEET NO.
et:\pw\work\p\idot\bilgramisa\d0315608\DI00313-sh-t-plan.dgn	DRAWN -	REVISED -	344			540R-RS-3	DUPAGE	38	9	
MODELNAME	PLOT SCALE = 100.0000' / in.	CHECKED -	REVISED -			CONTRACT NO. 60V54				
	PLOT DATE = 3/15/2013	DATE -	REVISED -			ILLINOIS FED. AID PROJECT				
				SCALE:	SHEET OF SHEETS	STA. TO STA.				