

PAVEMENT MARKING LEGEND (SEE NOTE 1)

- ① THERMOPLASTIC PAVEMENT MARKING 4" WHITE LANE LINE (30' SKIP 10' DASH)
- ② THERMOPLASTIC PAVEMENT MARKING 8" WHITE DOTTED LINE (9' SKIP 3' DASH)
- ③ THERMOPLASTIC PAVEMENT MARKING 4" SOLID WHITE LINE
- ④ THERMOPLASTIC PAVEMENT MARKING 4" SOLID YELLOW LINE
- ⑤ THERMOPLASTIC PAVEMENT MARKING 4" DOUBLE YELLOW LINE 11" C-C
- ⑥ THERMOPLASTIC PAVEMENT MARKING 6" WHITE LINE
- ⑦ THERMOPLASTIC PAVEMENT MARKING 8" WHITE LINE
- ⑧ THERMOPLASTIC PAVEMENT MARKING 12" DIAGONAL WHITE LINE
- ⑨ THERMOPLASTIC PAVEMENT MARKING 12" DIAGONAL YELLOW LINE
- ⑩ THERMOPLASTIC PAVEMENT MARKING 24" WHITE STOP BAR
- ⑪ THERMOPLASTIC PAVEMENT MARKING LETTERS AND SYMBOLS (TYP)

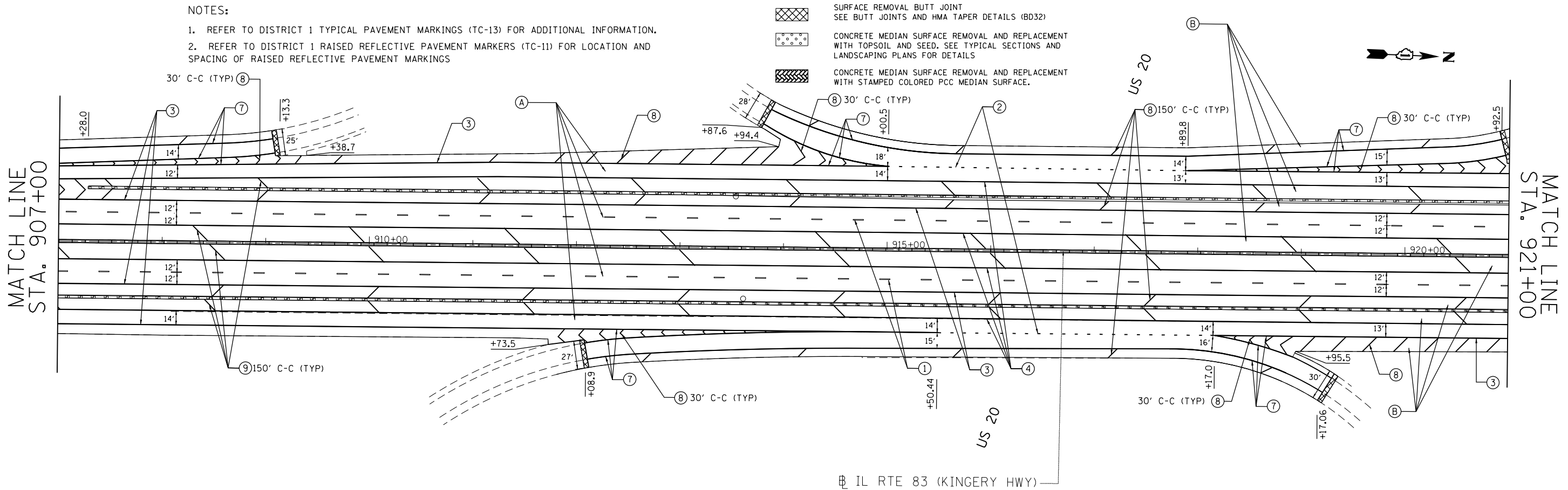
PAVEMENT MIX LEGEND

- Ⓐ PROPOSED HMA SURFACE REMOVAL 2 1/2".
- POLYMERIZED LEVELING BINDER (MACHINE METHOD), IL-4.75, N50 -1"
- POLYMERIZED HMA SURFACE COURSE, STONE MATRIX ASPHALT, N80 -2"
- Ⓑ PROPOSED HMA SURFACE REMOVAL 2 1/2".
- POLYMERIZED LEVELING BINDER (MACHINE METHOD), IL-4.75, N50 -1"
- HMA SURFACE COURSE, MIX "D", N70 -2"

NOTES:

1. REFER TO DISTRICT 1 TYPICAL PAVEMENT MARKINGS (TC-13) FOR ADDITIONAL INFORMATION.
2. REFER TO DISTRICT 1 RAISED REFLECTIVE PAVEMENT MARKERS (TC-11) FOR LOCATION AND SPACING OF RAISED REFLECTIVE PAVEMENT MARKINGS

- SURFACE REMOVAL BUTT JOINT
SEE BUTT JOINTS AND HMA TAPER DETAILS (BD32)
- CONCRETE MEDIAN SURFACE REMOVAL AND REPLACEMENT
WITH TOPSOIL AND SEED. SEE TYPICAL SECTIONS AND
LANDSCAPING PLANS FOR DETAILS
- CONCRETE MEDIAN SURFACE REMOVAL AND REPLACEMENT
WITH STAMPED COLORED PCC MEDIAN SURFACE.



FILE NAME =	USER NAME = reichenbachr1	DESIGNED -	REVISED -
ei:\pw\work\p\d0315608\DI00313-sht-plen.dgn		DRAWN -	REVISED -
		CHECKED -	REVISED -
		DATE -	REVISED -
*MODELNAME#	PLOT DATE = 2/20/2013		

**STATE OF ILLINOIS
DEPARTMENT OF TRANSPORTATION**

**IL 83 (IL 19 TO IL 64)
ROADWAY AND PAVEMENT MARKING PLAN**

SCALE: SHEET OF SHEETS STA. TO STA.

F.A.P. RTE.	SECTION	COUNTY	TOTAL SHEETS	SHEET NO.
344	540R-RS-3	DUPAGE	38	11
CONTRACT NO. 60V54				
ILLINOIS FED. AID PROJECT				