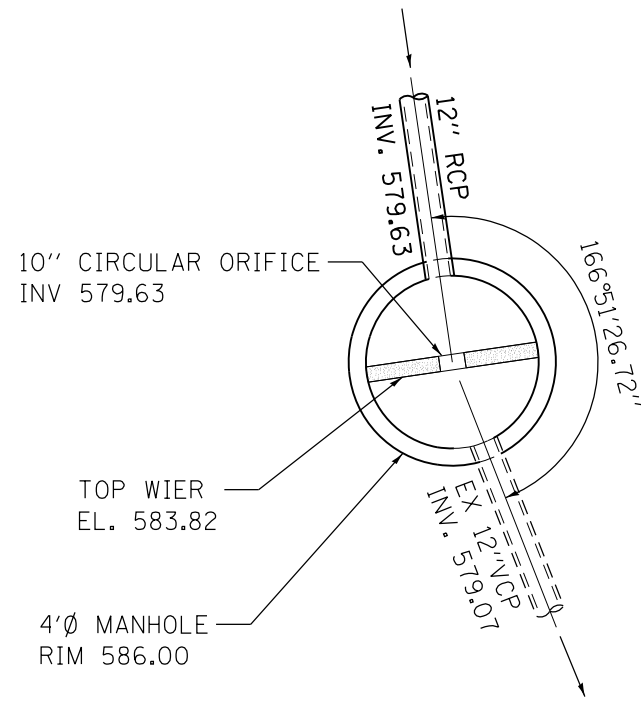


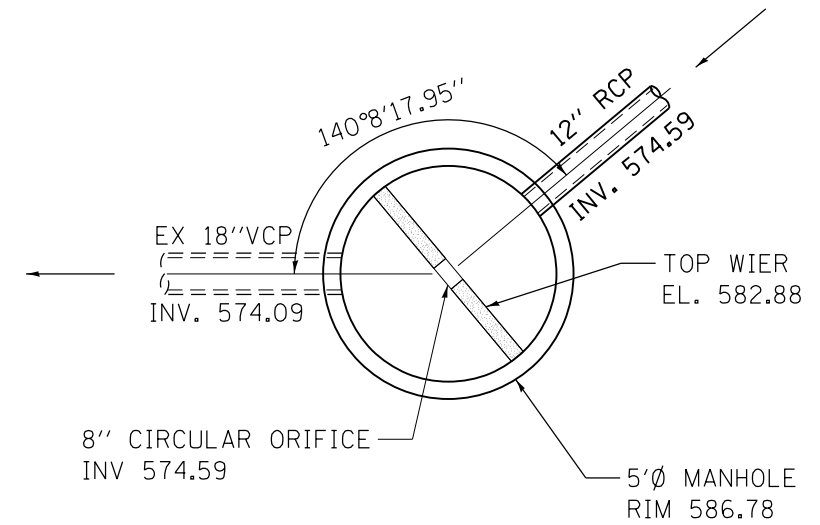
STR NO. 17

103RD ST  
STA 19+48.96, 47.0' RT



STR NO. 9

RAMP H2  
STA 11+52.41, 22.9' LT



STR NO. 22

103RD ST  
STA 24+98.79, 45.6' LT

RESTRICTOR PLATE MANHOLE DETAILS

N.T.S.

BOWMAN, BARRETT & ASSOCIATES INC.  
CONSULTING ENGINEERS  
Chicago, Illinois  
312.228.0100  
www.bbandainc.com



FILE NAME =	USER NAME = default	DESIGNED - JAM	REVISED -
*FILEL*		DRAWN - JAM	REVISED -
	PLOT SCALE = *SCALE*	CHECKED - RGR	REVISED -
	PLOT DATE = 12/7/2012	DATE - 11/08/2012	REVISED -

STATE OF ILLINOIS  
DEPARTMENT OF TRANSPORTATION

DRAINAGE DETAILS

SCALE: N.T.S. SHEET NO. 1 OF 2 SHEETS STA. TO STA.

F.A.I. RTE.	SECTION	COUNTY	TOTAL SHEETS	SHEET NO.
94	2012-060-BR	COOK	285	91
CONTRACT NO. 60V61			ILLINOIS FED. AID PROJECT	