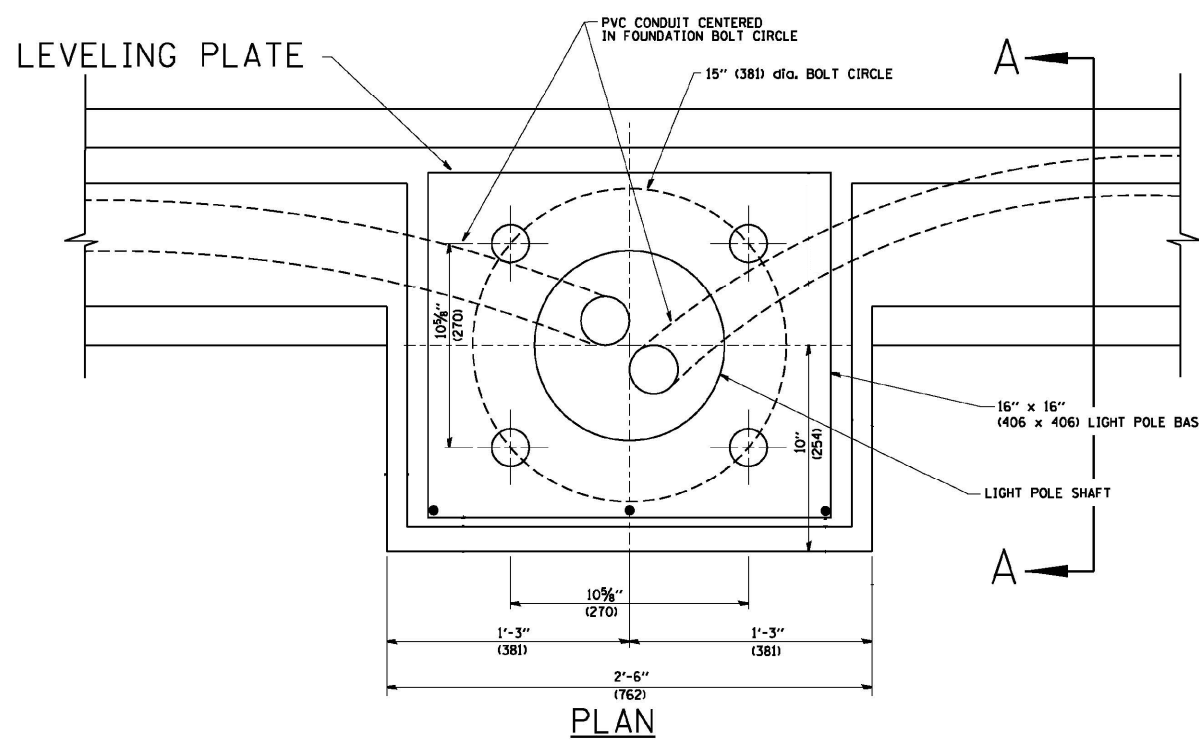


**LEVELLING PLATE DETAIL**



**NOTES**

1. ALL DIMENSIONS ARE IN INCHES (MILLIMETERS) UNLESS OTHERWISE SHOWN.
2. LEVEL LIGHT POLE PLATES, USING THE FLANGE NUTS, PRIOR TO POURING THE PARAPET WALL. THE TOP OF THE PLATE SHALL BE AT THE SAME ELEVATION AS THE FINISHED CONCRETE PARAPET.
3. THE COST OF ANCHOR BOLTS, CONDUIT, LEVELLING PLATE AND FOUNDATION IS INCLUDED IN THE COST OF THE BRIDGE STRUCTURE.

**EJM ENGINEERING, INC.**  
 411 South Wells Street Suite 1000  
 Chicago, Illinois 60607

FILE NAME :	USER NAME = rswanson	DESIGNED - JL	REVISED -
		DRAWN - BKG	REVISED -
	PLOT SCALE = 50.000' / IN.	CHECKED - MKR	REVISED -
	PLOT DATE = 12/6/2012	DATE - 12/07/2012	REVISED -

**STATE OF ILLINOIS  
 DEPARTMENT OF TRANSPORTATION**

**LIGHT POLE MOUNTED ON CONCRETE PARAPET WALL  
 15" (381 mm) BOLT CIRCLE**

<b>STANDARD DETAILS</b>	
SCALE: NONE	SHEET NO. 7 OF 12 SHEETS STA. TO STA.

F.A.I. RTE.:	SECTION	COUNTY	TOTAL SHEETS	SHEET NO.
94	2012-060-BR	COOK	285	158
CONTRACT NO. 60V61				
ILLINOIS FED. AID PROJECT				