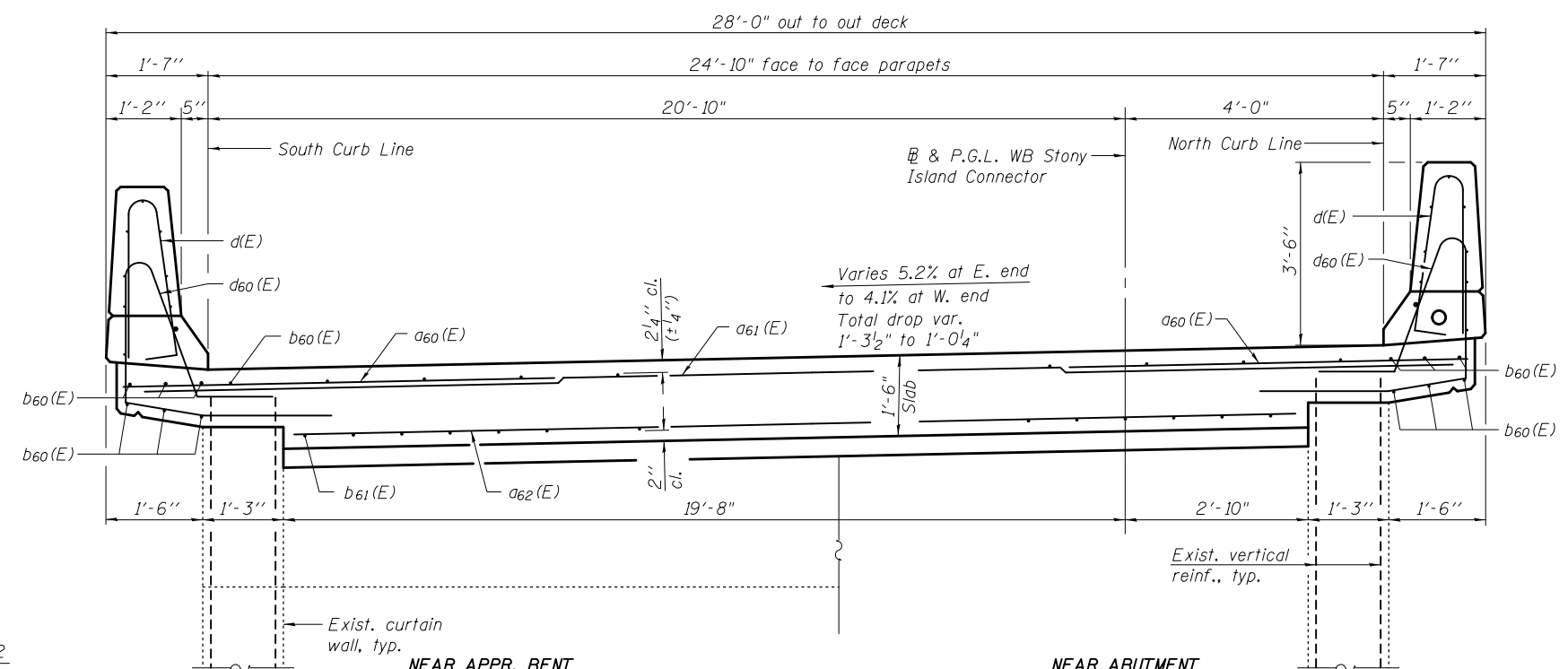
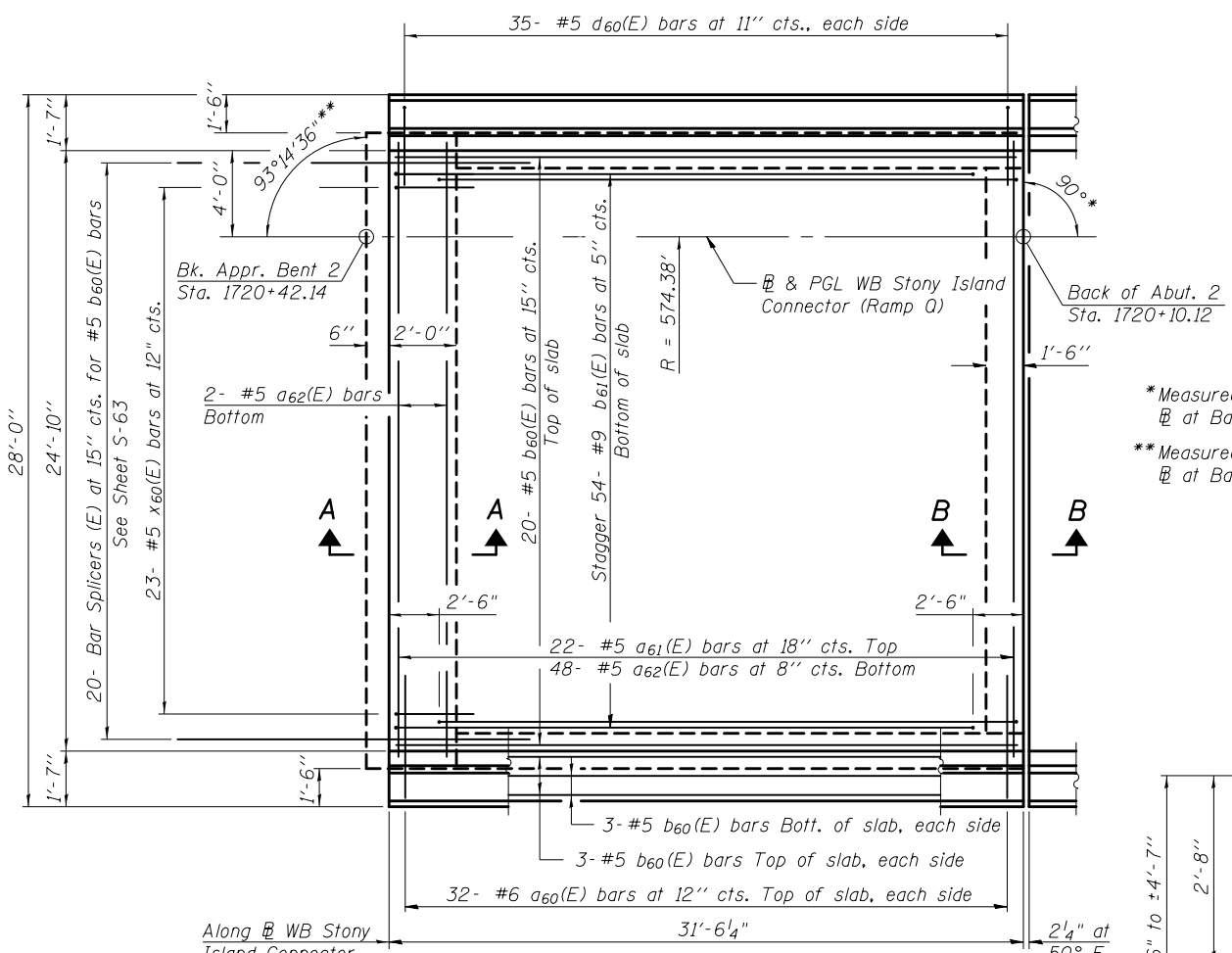


INSIDE ELEVATION OF PARAPET

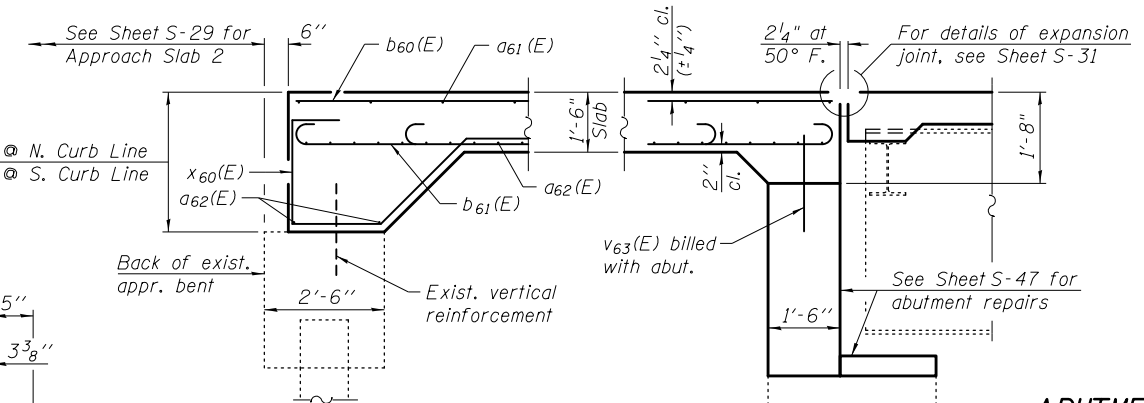


CROSS SECTION
Looking West



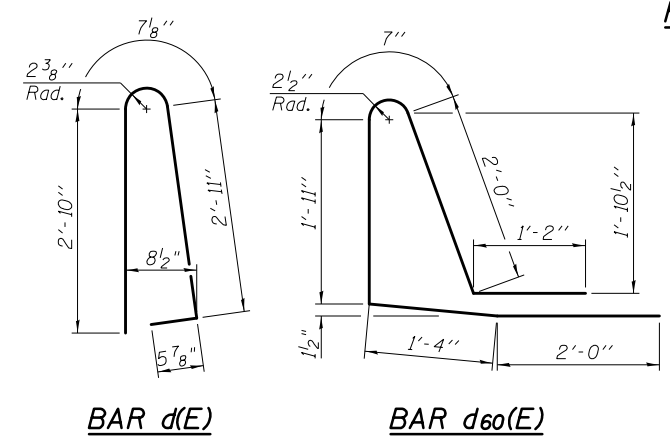
PLAN

* Measured from a line tangent to \mathbb{E} at Back of Abut. 2
 ** Measured from a line tangent to \mathbb{E} at Back of Appr. Bent 2



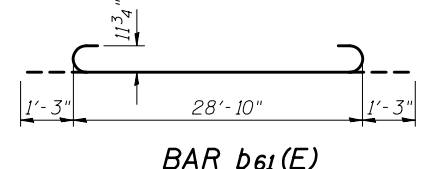
SECTION A-A

SECTION B-B

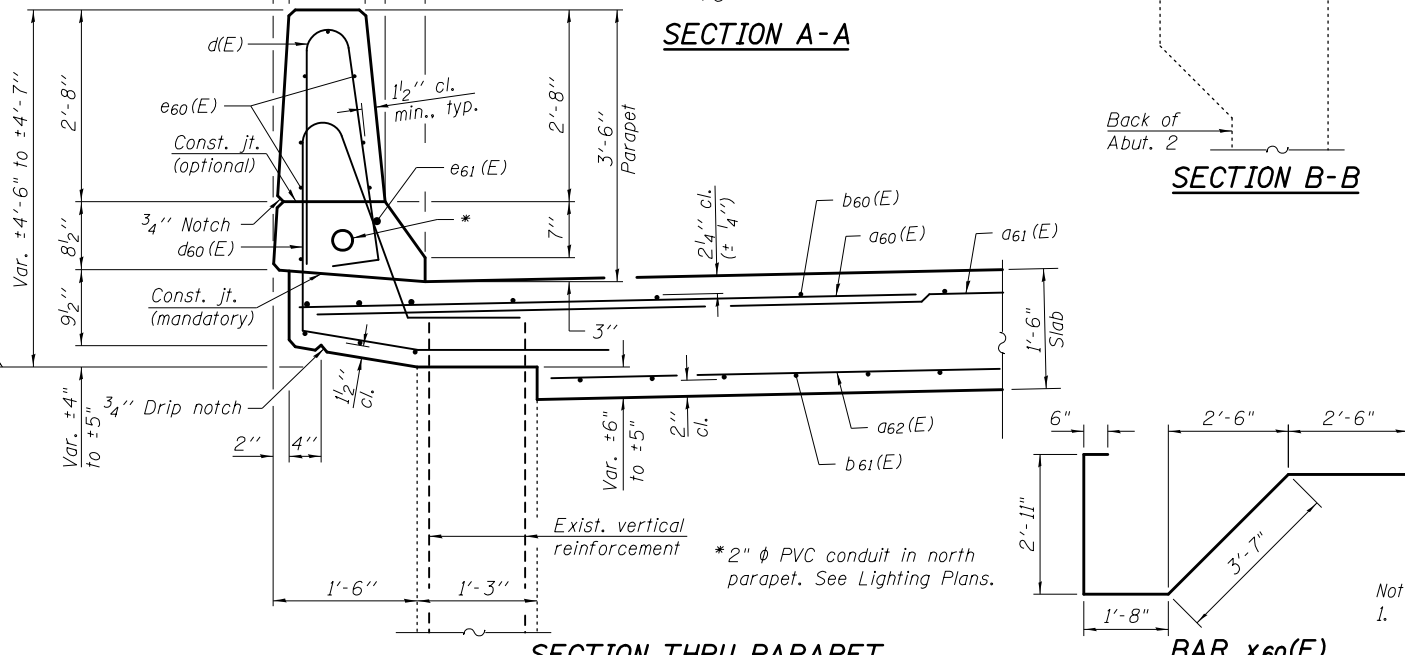


BAR d(E)

BAR d60(E)



BAR b61(E)



SECTION THRU PARAPET

BAR x60(E)

ABUTMENT 2 APPROACH SPAN
BILL OF MATERIAL

Bar	No.	Size	Length	Shape
a60(E)	64	#6	6'-6"	—
a61(E)	22	#5	27'-4"	—
a62(E)	50	#5	22'-2"	—
b60(E)	32	#5	31'-2"	—
b61(E)	54	#9	31'-4"	U
d(E)	70	#5	6'-10"	⌋
d60(E)	70	#5	9'-0"	⌋
e60(E)	16	#4	31'-2"	—
e61(E)	2	#8	31'-2"	—
x60(E)	23	#5	11'-2"	⌋
Reinforcement Bars, Epoxy Coated		Pound	11,130	
Concrete Superstructure		Cu. Yd.	60.5	
Bridge Deck Grooving		Sq. Yd.	80	
Protective Coat		Sq. Yd.	119	

Notes:
 1. Existing reinforcement shall be cleaned and incorporated into the new construction. Cost included with Concrete Removal.

2/26/12 PM

S:\1072_05_CADD\Structure\1 SN 0162437\CADD Sheets\0162437-60J12-026-Appr-Span-02.dgn 2/7/2012

BOWMAN, BARRETT & ASSOCIATES INC.
 CONSULTING ENGINEERS
 Chicago, Illinois
 312.228.0100
 www.bbainc.com

USER NAME =	DESIGNED - TL	REVISIONS -
PLOT SCALE =	CHECKED - BAK	REVISIONS -
PLOT DATE = 11/08/2012	DRAWN - TL	REVISIONS -
	CHECKED - BAK	REVISIONS -

STATE OF ILLINOIS
 DEPARTMENT OF TRANSPORTATION

ABUTMENT 2 APPROACH SPAN
 STRUCTURE NO. 016-2437
 SHEET NO. S-26 OF S-83 SHEETS

F.A.I. RTE.	SECTION	COUNTY	TOTAL SHEETS	SHEET NO.
94	2012-060-BR	COOK	285	189
CONTRACT NO. 60V61				
ILLINOIS FED. AID PROJECT				