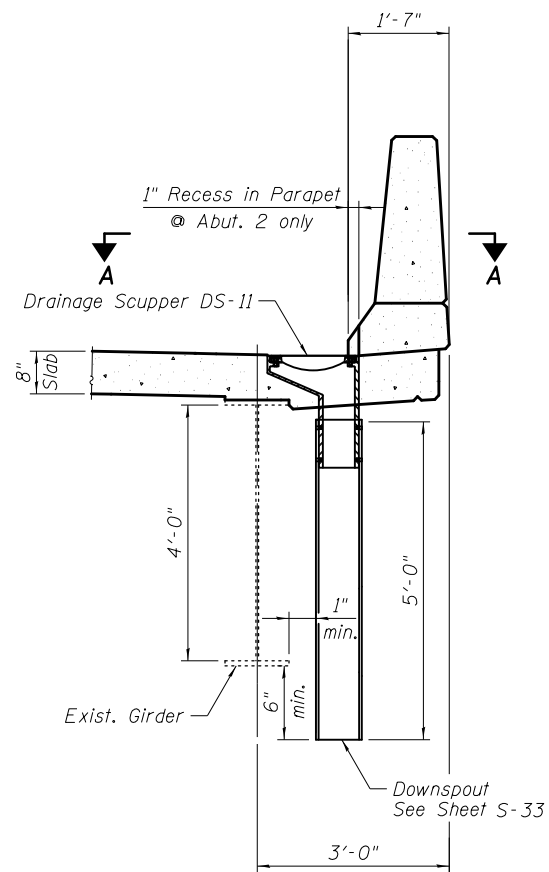


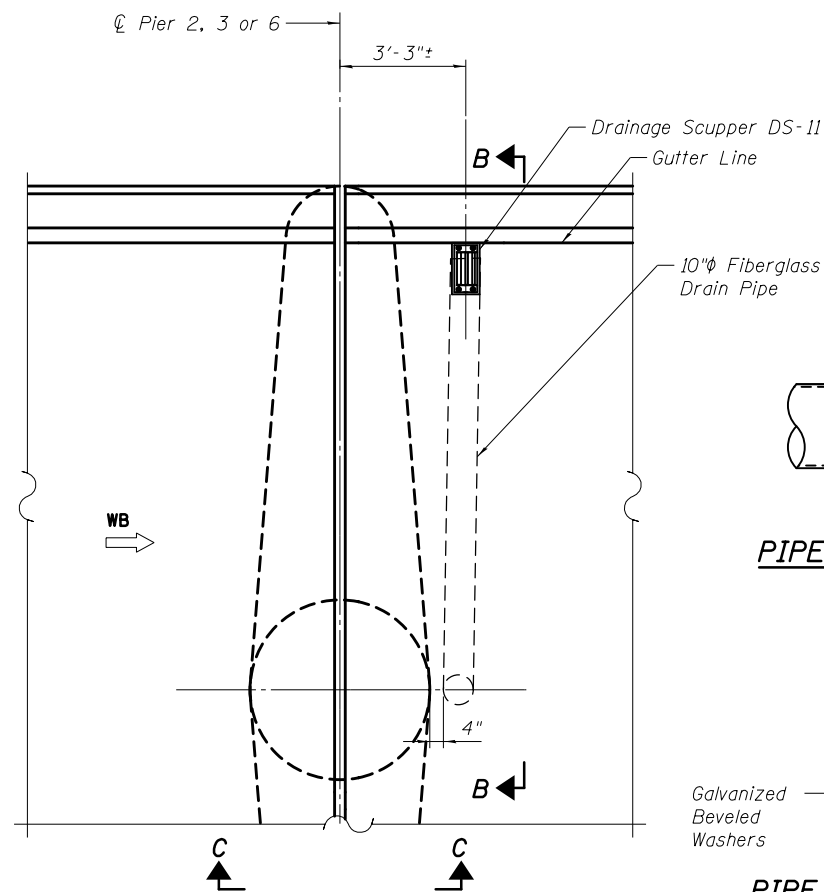
2/26/16 PM

12/7/2012

S:\1072_05_CADD\Structure\1 SN 0162437\CADD Sheets\0162437-60J12-034-S094.dgn

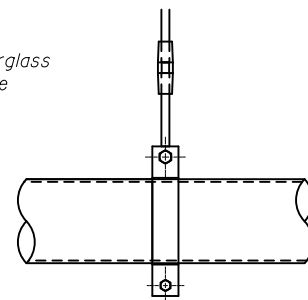


SECTION THRU SCUPPER

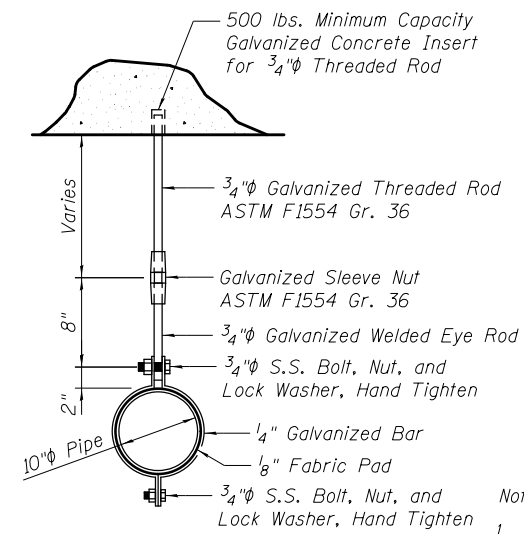


PLAN AT PIERS
(Location of Scupper)

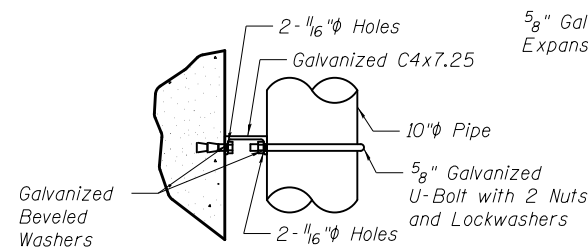
PIPE HANGER ELEVATION



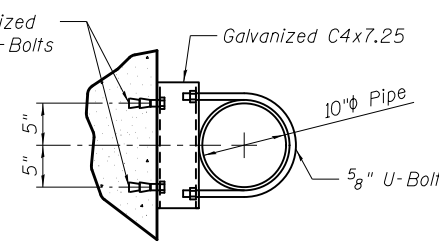
PIPE HANGER SECTION



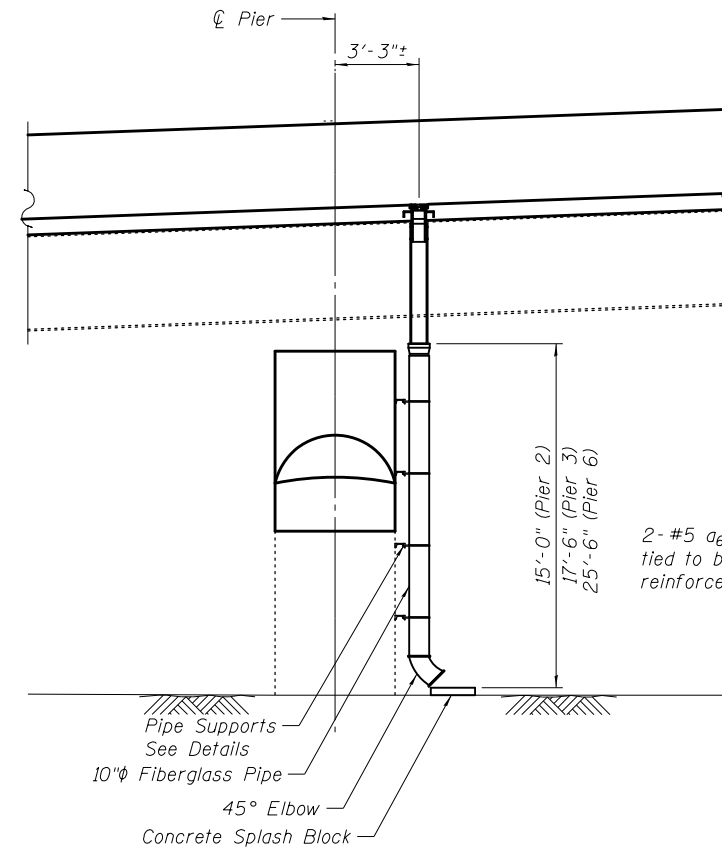
PIPE SUPPORT ELEVATION



PIPE SUPPORT PLAN



DRAINAGE SYSTEM



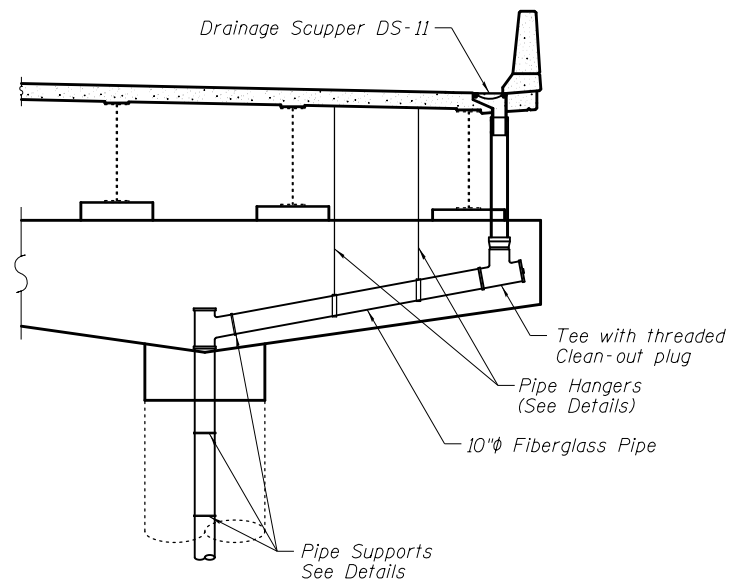
VIEW C-C

Notes:

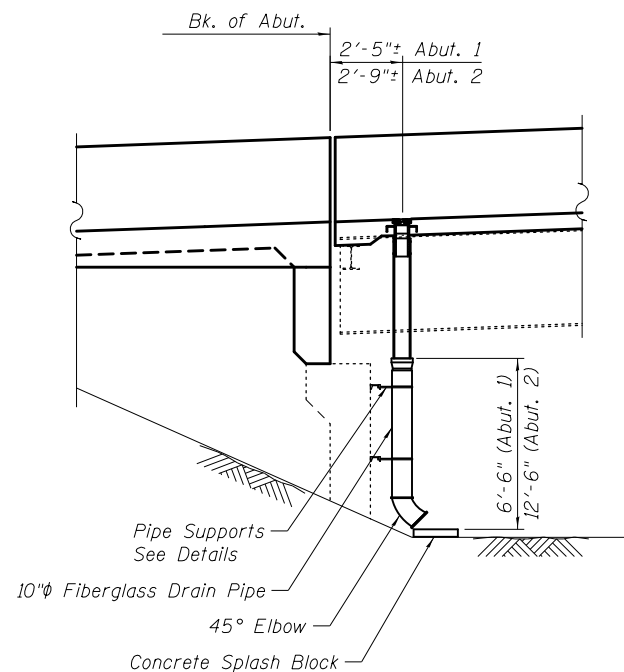
1. Cost of drain pipe, clean-out caps/plugs, pipe hangers, elbows, tees and other necessary connection pieces, including installation, shall be included in the bid price for Drainage System.
2. Adjust deck reinforcement bars as necessary to place scupper.
3. Removal and disposal of existing drainage system shall be included in the cost of Pipe Drain Removal.
4. Install a removable cap at the ground surface on the existing drain pipe extending underground. Cost included with Pipe Drain Removal. See special provision.

BILL OF MATERIAL

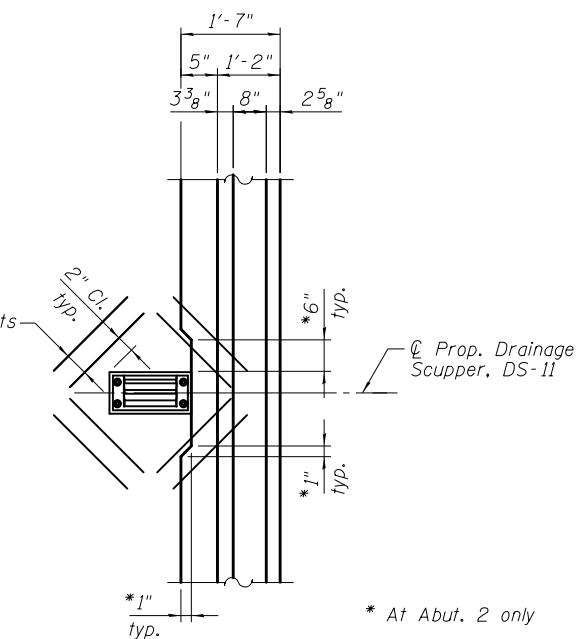
ITEM	UNIT	QUANTITY
Drainage System	L. Sum	1
Pipe Drain Removal	Foot	485



VIEW B-B



DRAINAGE SYSTEM AT ABUTMENT



VIEW A-A

BOWMAN, BARRETT & ASSOCIATES INC.
CONSULTING ENGINEERS
Chicago, Illinois
312.228.0100
www.bbainc.com



USER NAME =
DESIGNED - IYL
CHECKED - BAK
PLOT SCALE =
DRAWN - MTR
PLOT DATE = 11/08/2012
CHECKED - IYL

DESIGNED - IYL
CHECKED - BAK
DRAWN - MTR
CHECKED - IYL

REVISED -
REVISED -
REVISED -
REVISED -

STATE OF ILLINOIS
DEPARTMENT OF TRANSPORTATION

DRAINAGE SYSTEM DETAILS
STRUCTURE NO. 016-2437

SHEET NO. S-34 OF S-83 SHEETS

F.A.I. RTE.	SECTION	COUNTY	TOTAL SHEETS	SHEET NO.
94	2012-060-BR	COOK	285	197

CONTRACT NO. 60V61
ILLINOIS FED. AID PROJECT