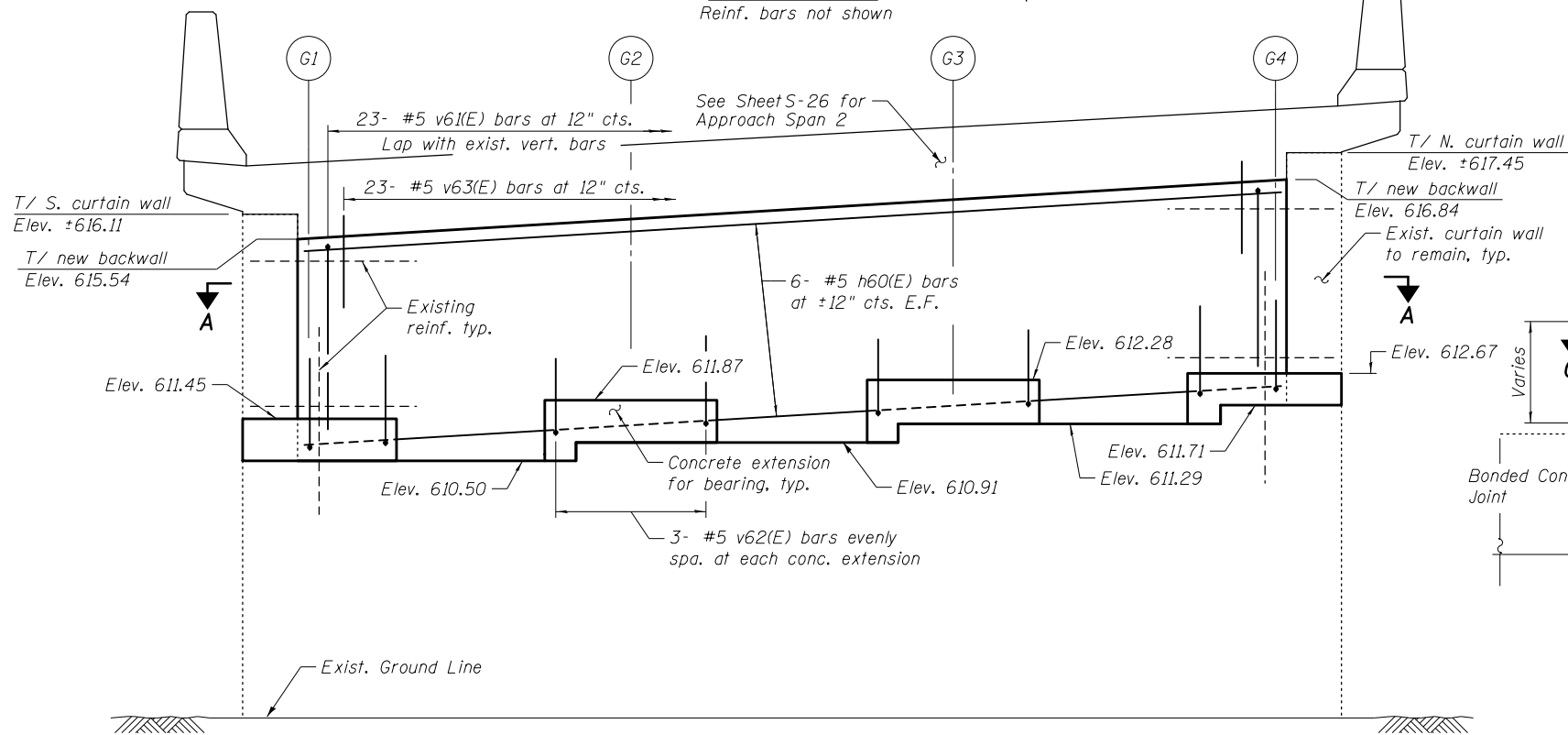
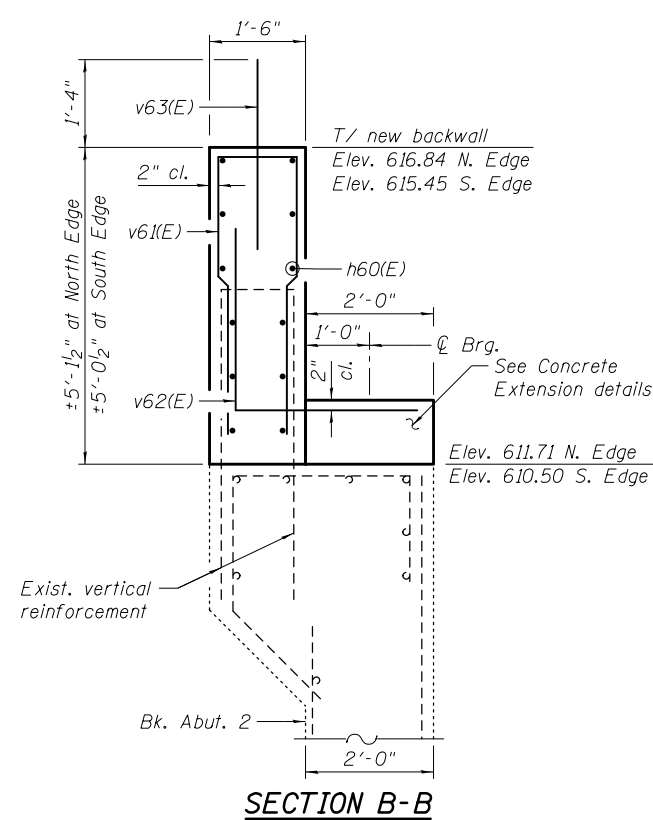
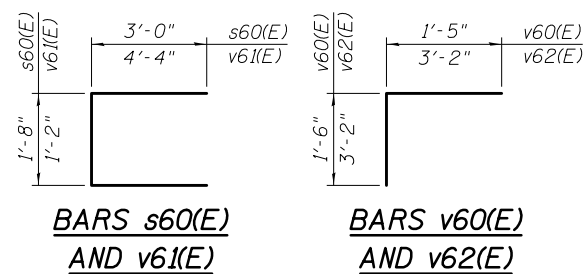


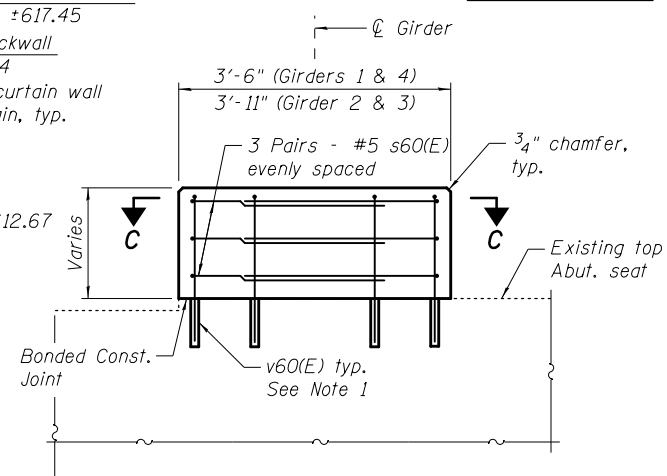
SECTION A-A
Reinf. bars not shown



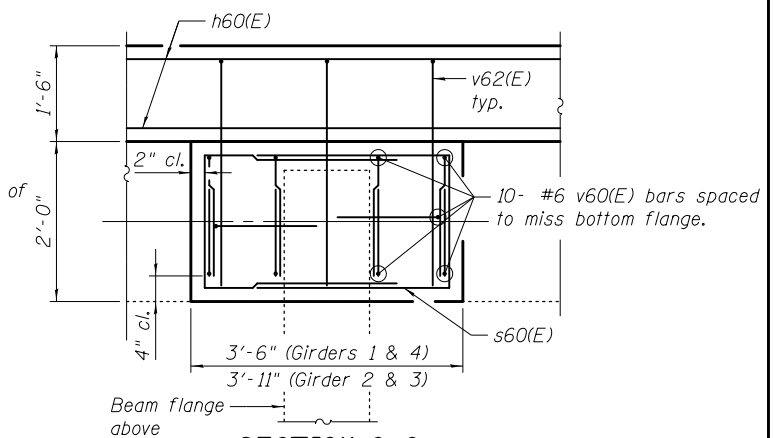
ELEVATION
(Looking West)



SECTION B-B



ELEVATION VIEW



SECTION C-C

CONCRETE EXTENSIONS FOR BEARINGS

BILL OF MATERIAL

Bar	No.	Size	Length	Shape
h60(E)	12	#5	22'-2"	—
s60(E)	24	#5	7'-8"	□
v60(E)	40	#6	2'-11"	┌
v61(E)	23	#5	9'-10"	┐
v62(E)	12	#5	6'-4"	└
v63(E)	23	#5	3'-4"	—
Concrete Structures		Cu. Yd.	7.6	
Reinforcement Bars, Epoxy Coated		Pound	1050	
Concrete Sealer		Sq. Ft.	200	

NOTE:

1. Epoxy grout v60(E) bars in 9" min. drilled holes according to Section 584 of the Standard Specifications.

2/26/21 PM

12/7/2012

S:\1072_05_CADD\Structure\1 SN 0162437\CADD Sheets\0162437-60J12-947-AB02.dgn

BOWMAN, BARRETT & ASSOCIATES INC.
CONSULTING ENGINEERS
Chicago, Illinois
312.228.0100
www.bbainc.com

USER NAME =	DESIGNED - TL	REVISED -
PLOT SCALE =	CHECKED - BAK	REVISED -
PLOT DATE = 11/08/2012	DRAWN - TL	REVISED -
	CHECKED - BAK	REVISED -

STATE OF ILLINOIS
DEPARTMENT OF TRANSPORTATION

ABUTMENT 2 REMOVAL AND REPAIR DETAILS IV
STRUCTURE NO. 016-2437

SHEET NO. S-47 OF S-83 SHEETS

F.A.I. RTE.	SECTION	COUNTY	TOTAL SHEETS	SHEET NO.
94	2012-060-BR	COOK	285	210
CONTRACT NO. 60V61				
ILLINOIS FED. AID PROJECT				